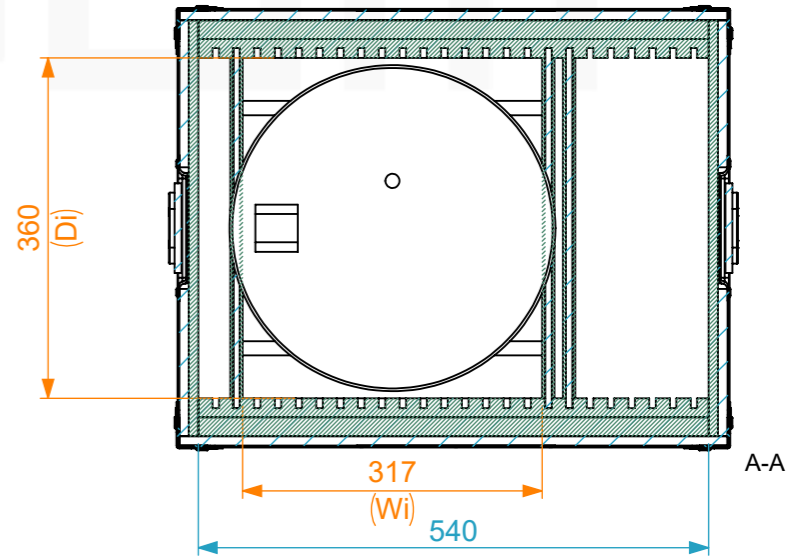
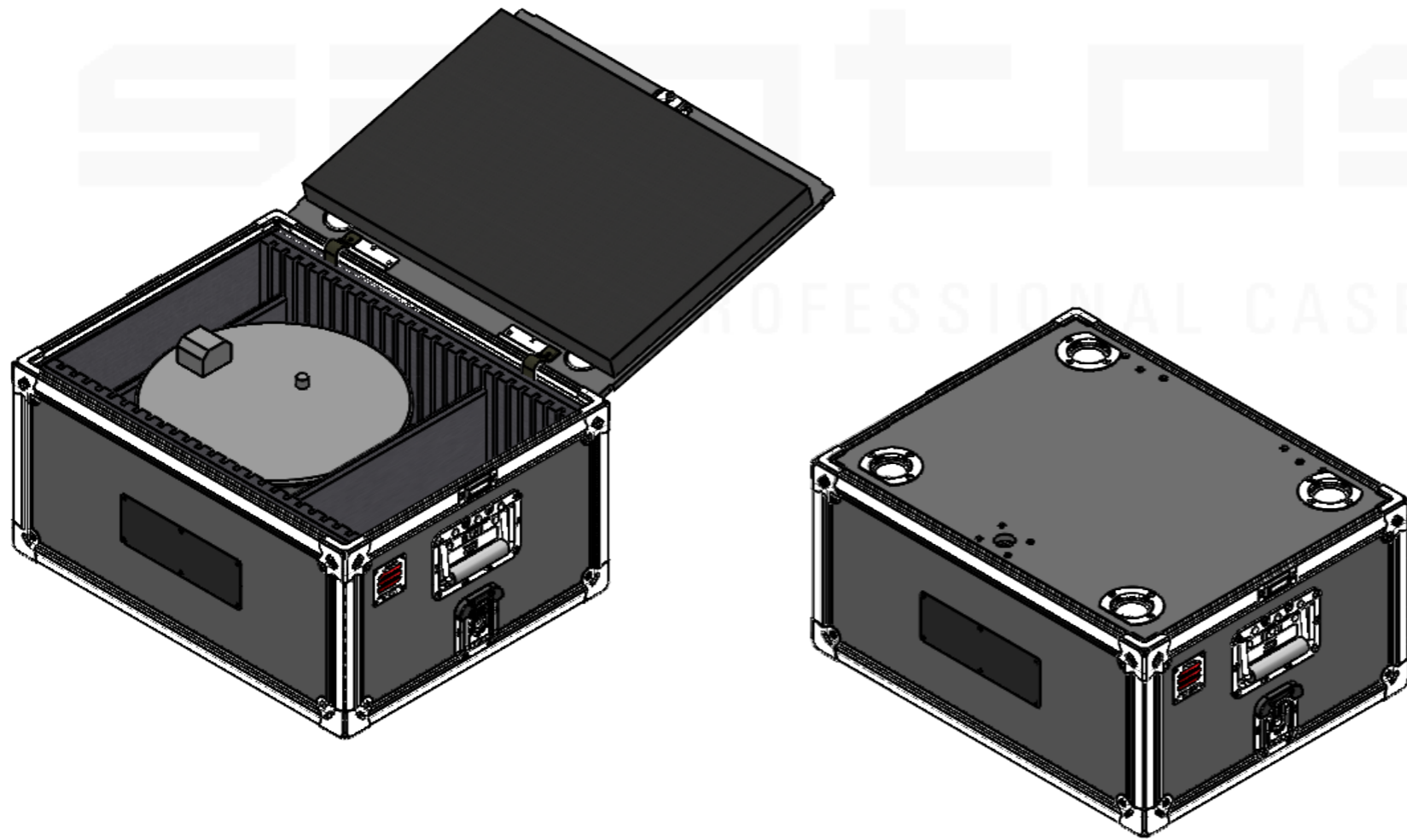
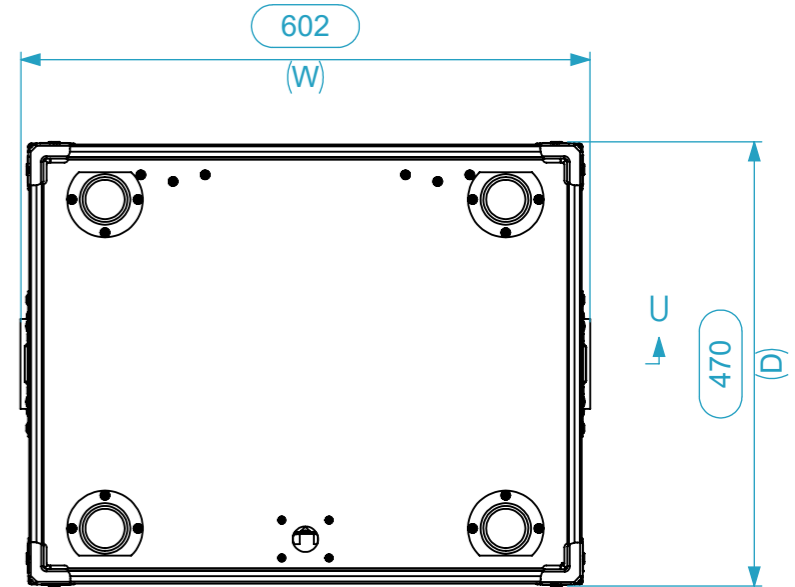
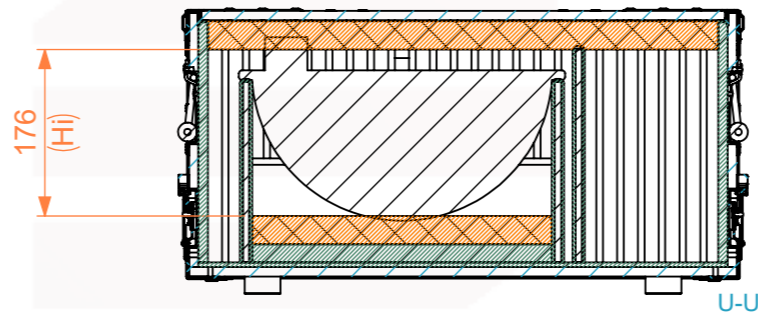
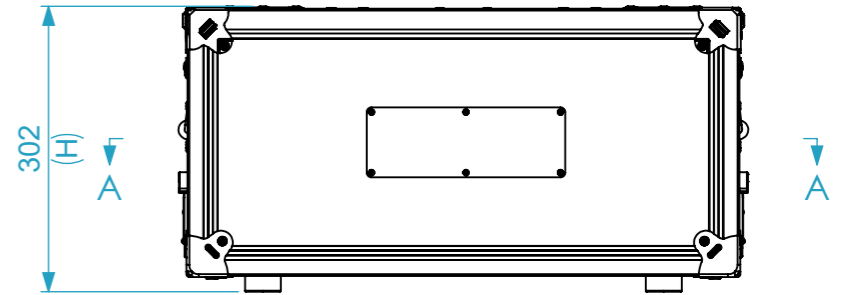
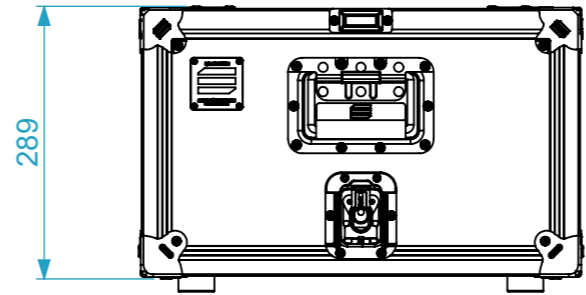
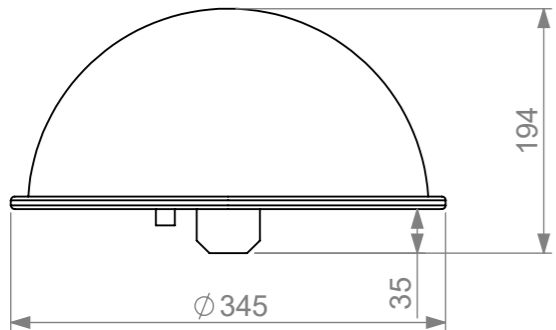


Equipment	Shure HA 8091	
Width	Depth	Height
345	345	194
Weight	Approx. 18,7 Kg	
Internal Dimensions		
Width	Depth	Height
540	360	160
FC Weight	Approx. 13 Kg	
Wall Thickness		mm



General External Dimensions		Usable Inner Dimensions	
W	Width	Wi	Inside Width
D	Depth	Di	Inside Depth
H	Height	Hi	Inside Height

This drawing must not be copied or disclosed without consent of the owner

Drawn by	tiago.pais	Date	30/04/2026
Reference	XBRCS.SHUHA8091		
Scale	1:8	units in mm	general tolerance 0.8mm
Hand case, Shure HA 8091			

