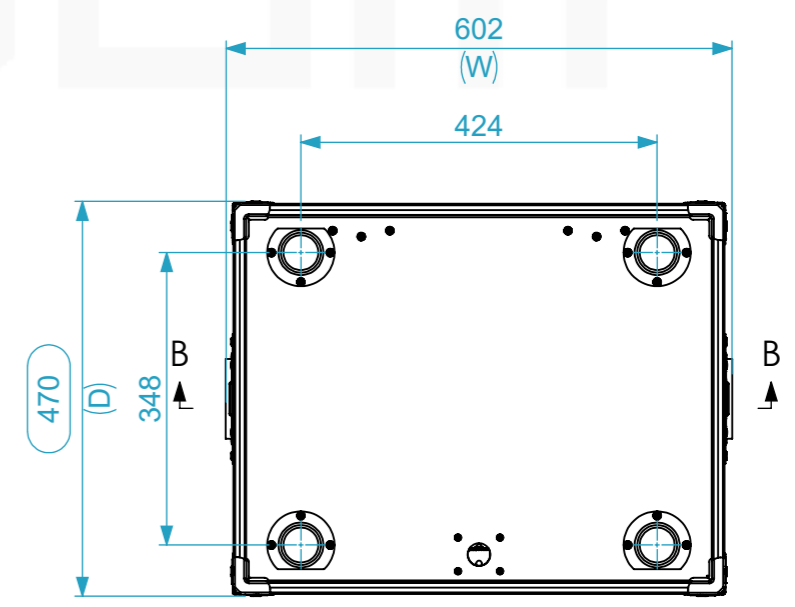
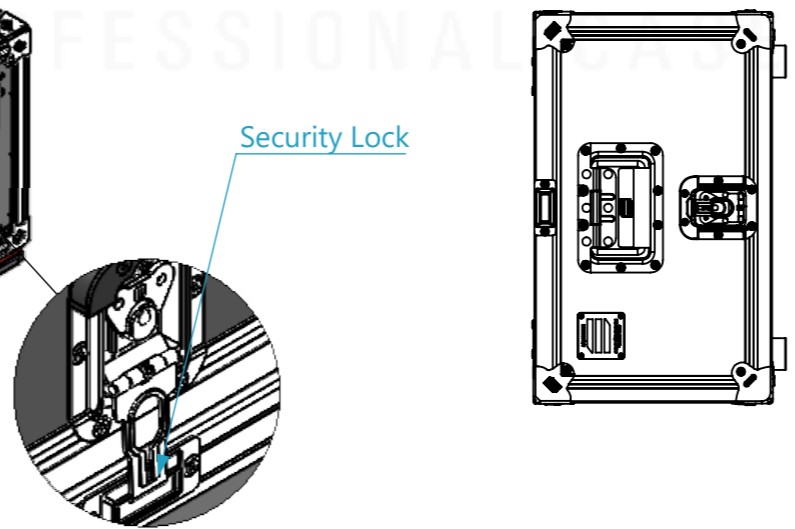
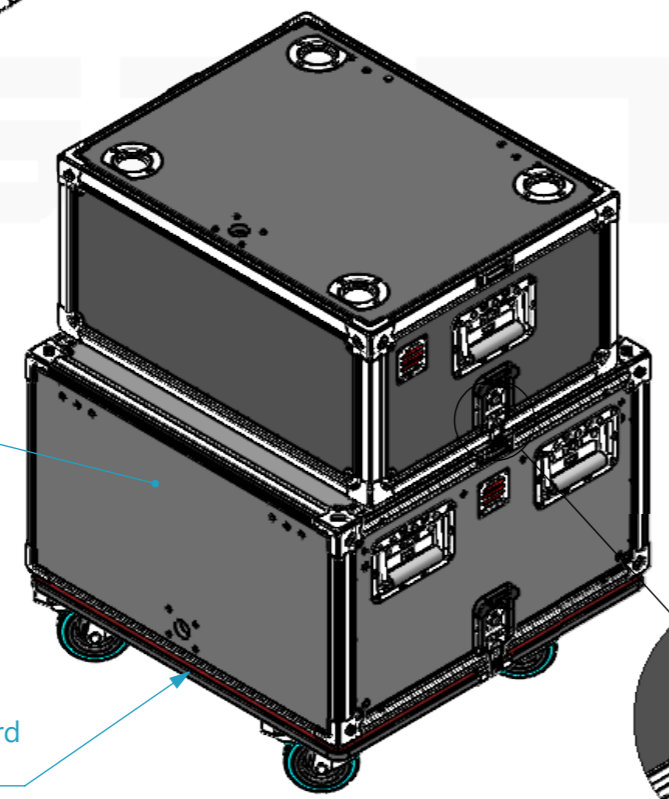
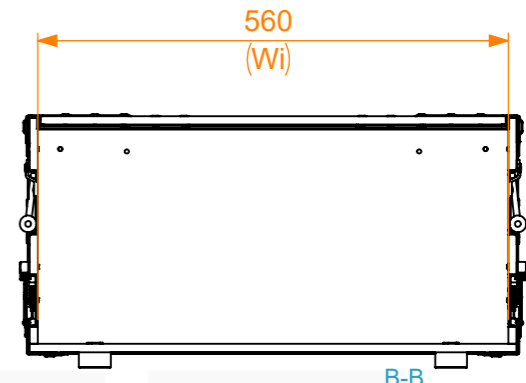
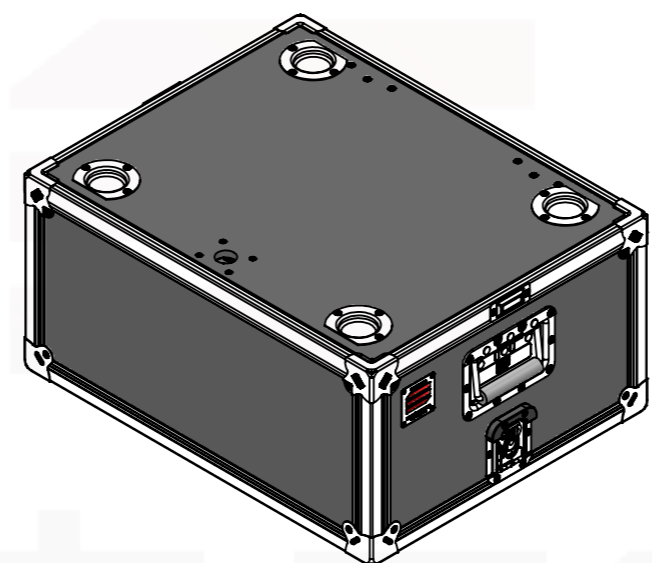
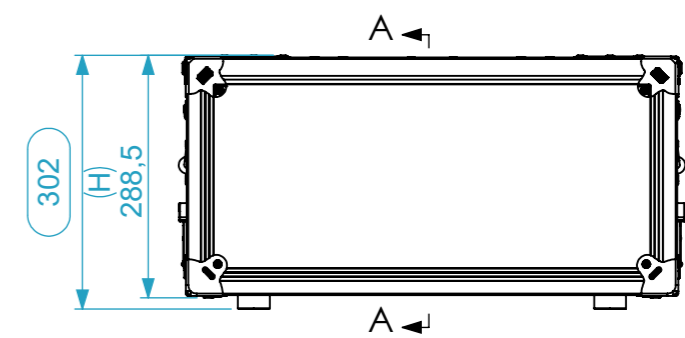
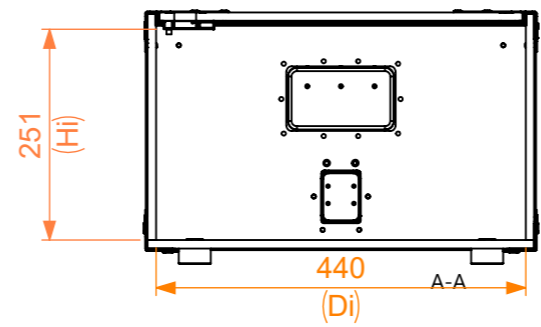
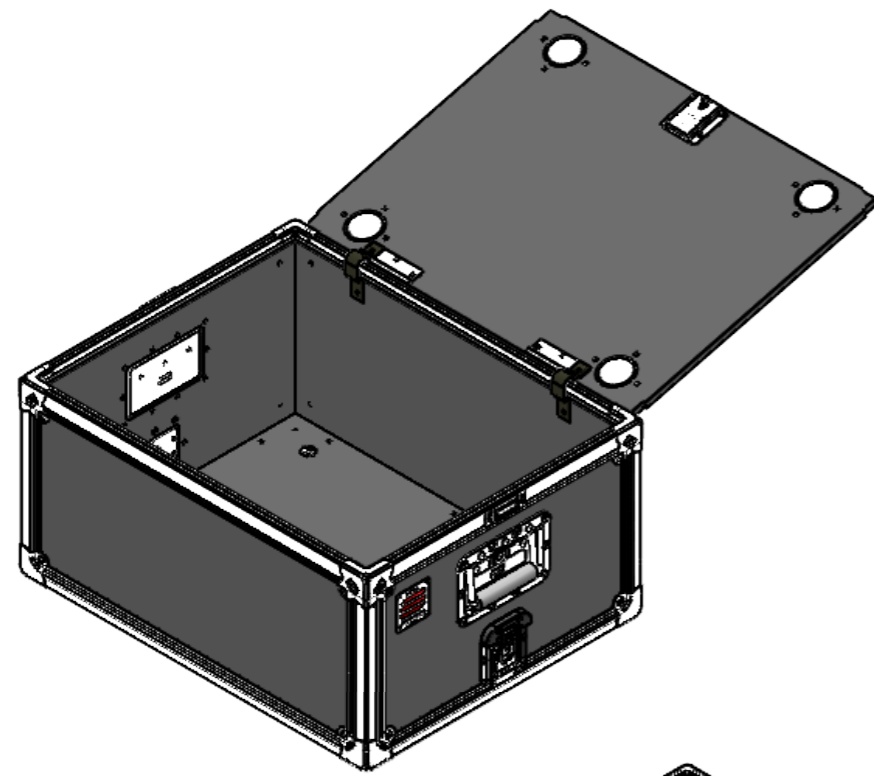


Internal Dimensions		
Width	Depth	Height
560	440	251
Weight	Approx. 10.81 Kg	
Wall Thickness	10mm	



General External Dimensions		Usable Inner Dimensions		Wood Inner Dimensions	
W	Width	Wi	Inside Width	WWi	Wood Inside Width
D	Depth	Di	Inside Depth	WDi	Wood Inside Depth
H	Height	Hi	Inside Height	WHi	Wood Inside Height

A3 This drawing must not be copied or disclosed without consent of the owner

Drawn by	Name	Date
tiago.pais	tiago.pais	29/04/2026
Reference	XBRCs.0604830	
Scale	units in mm	general tolerance
1:9	DO NOT SCALE	0.8mm
1st Angle projection	Maço XB RCS 60.48.30	

