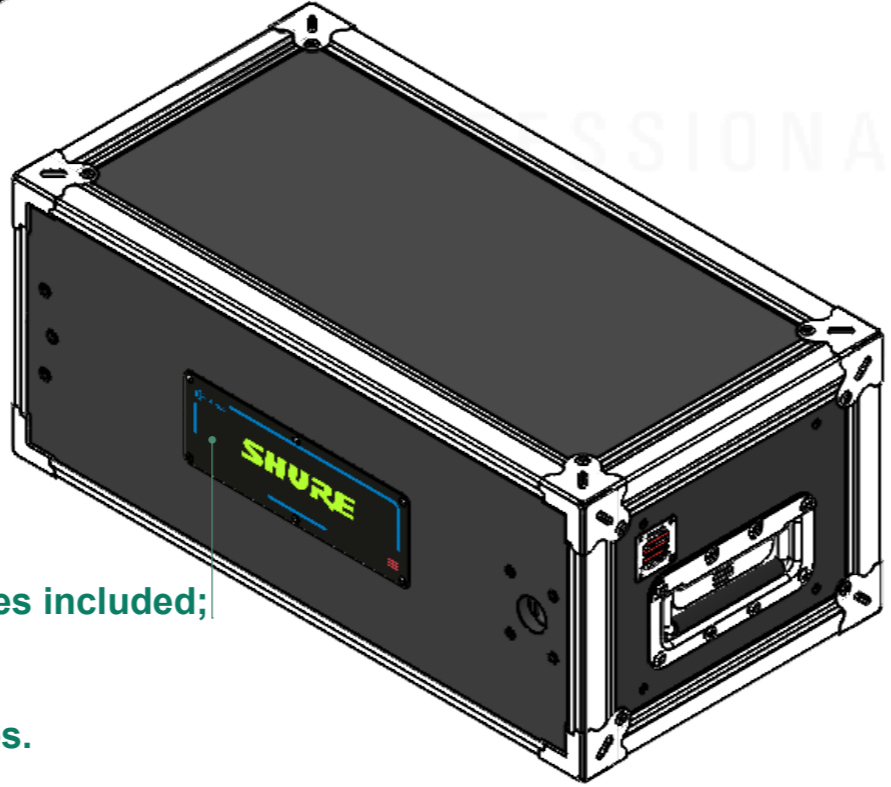
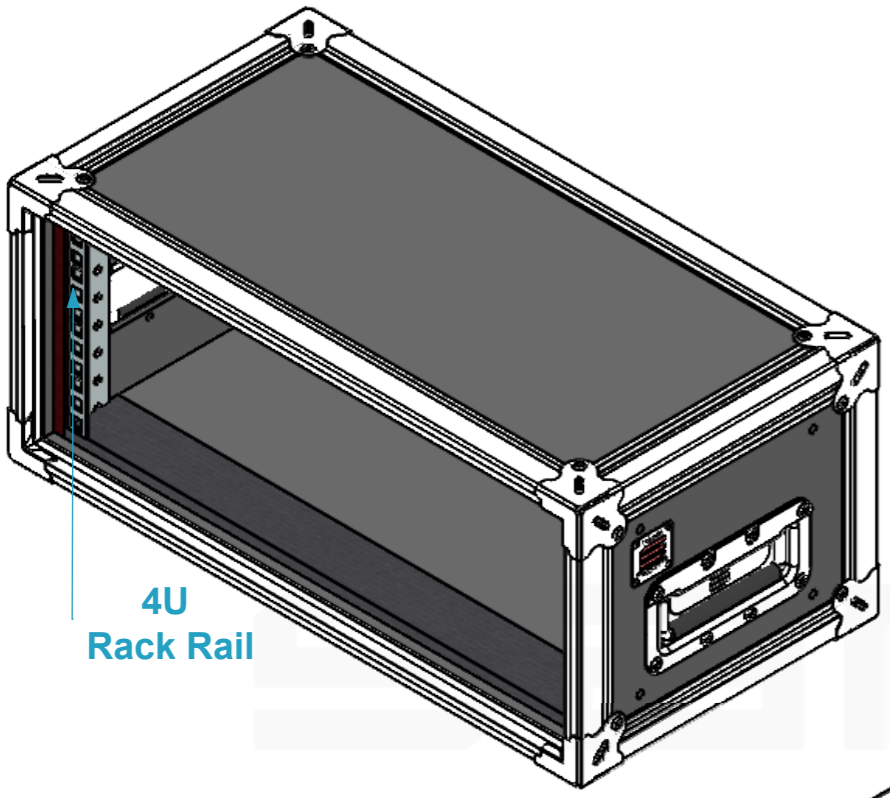
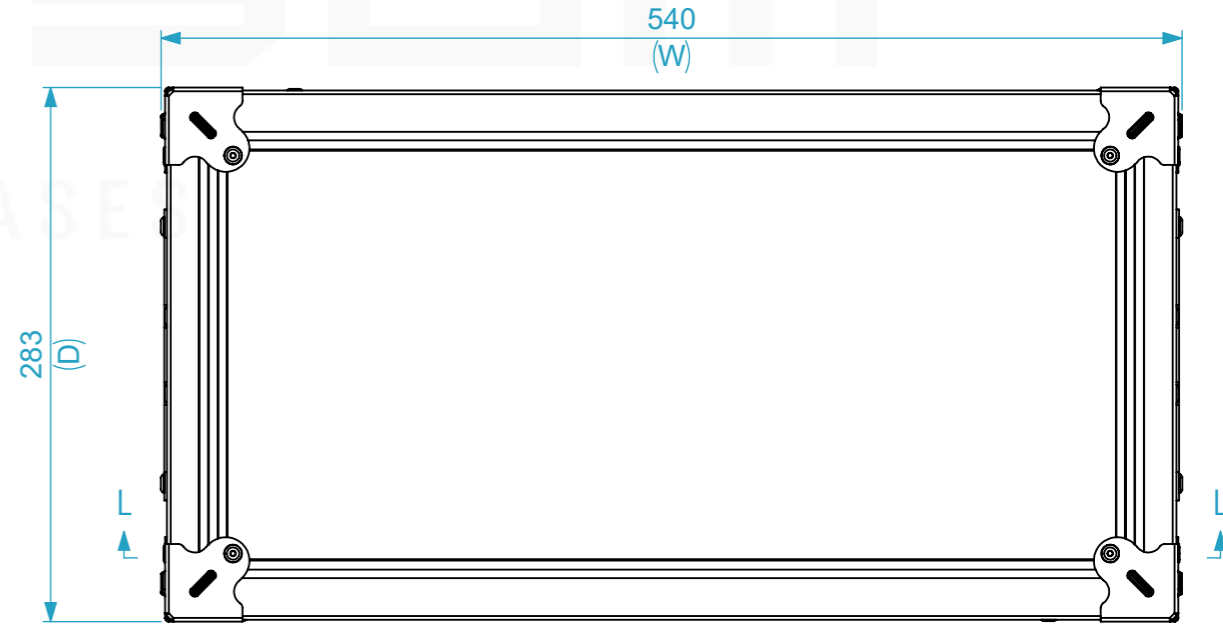
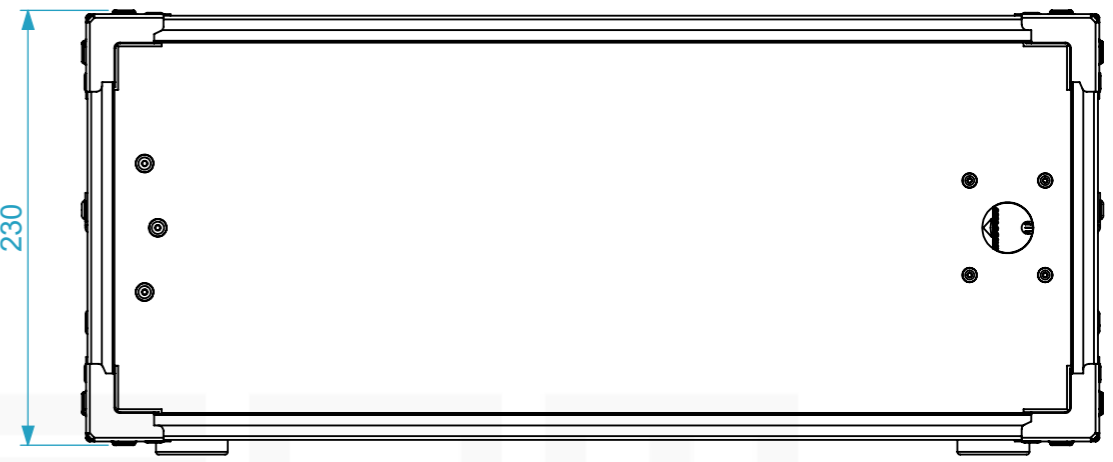
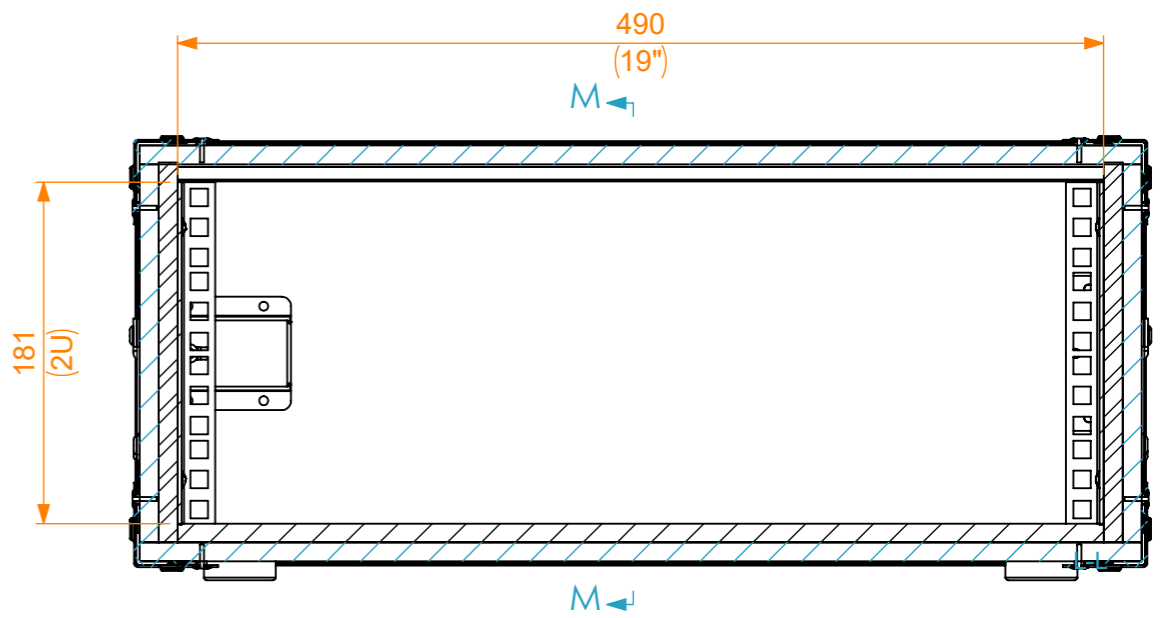
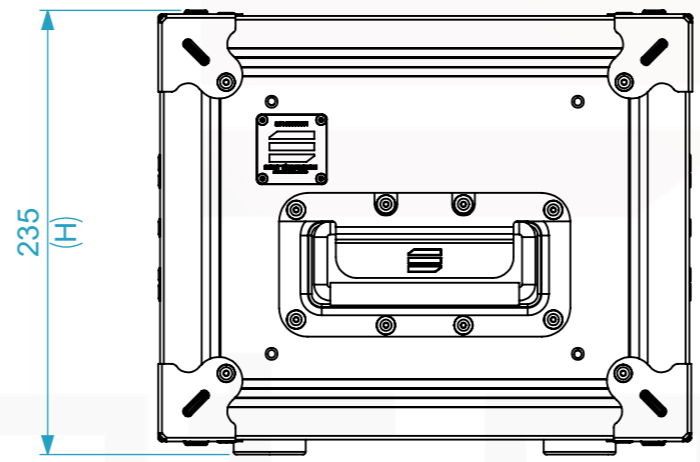
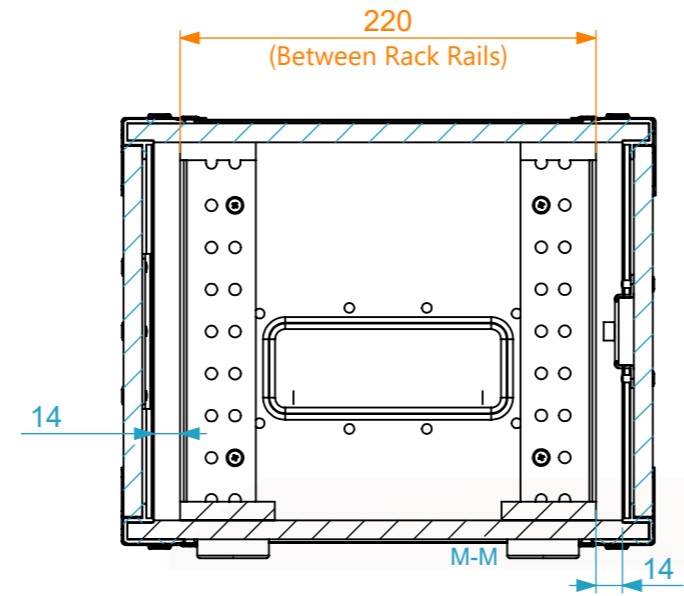


Internal Dimensions		
Width	Depth	Height
19"	220	4U
Weight	Approx. 7 Kg	
Wall Thickness	10mm	



(*) LOGO.06A5H
 Chromatic ID system
 ID plate panel with UV features included;
 * YOUR LOGO,
 * Activity Sector ID,
 * Devices Brand and Series.

(*) Related Optional Items, not included



General External Dimensions		Usable Inner Dimensions	
W	Width	Wi	Inside Width
D	Depth	Di	Inside Depth
H	Height	Hi	Inside Height

Name	Date	
Drawn by	alvaro.santos	13/02/2023
Reference	XB2T.0430	
Scale	units in mm	general tolerance
1:4	DO NOT SCALE	0.8mm
Rack XB-Rack 2C, 4U 220-BRR		



A3 This drawing must not be copied or disclosed without consent of the owner

