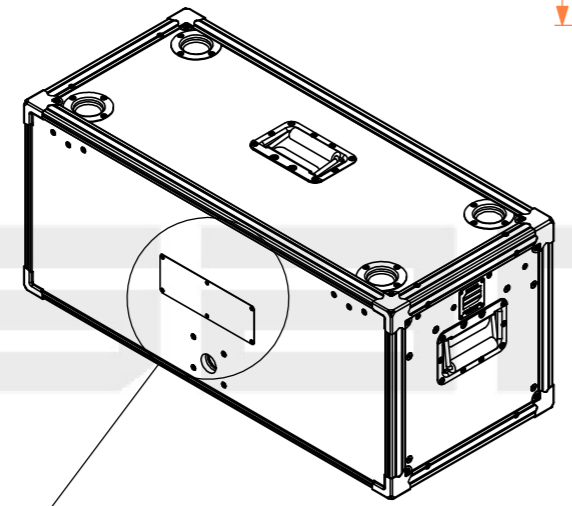
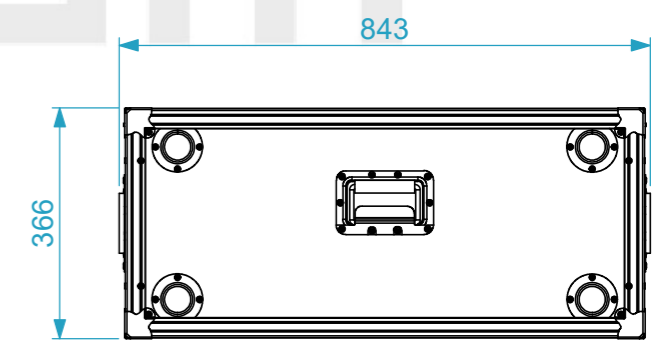
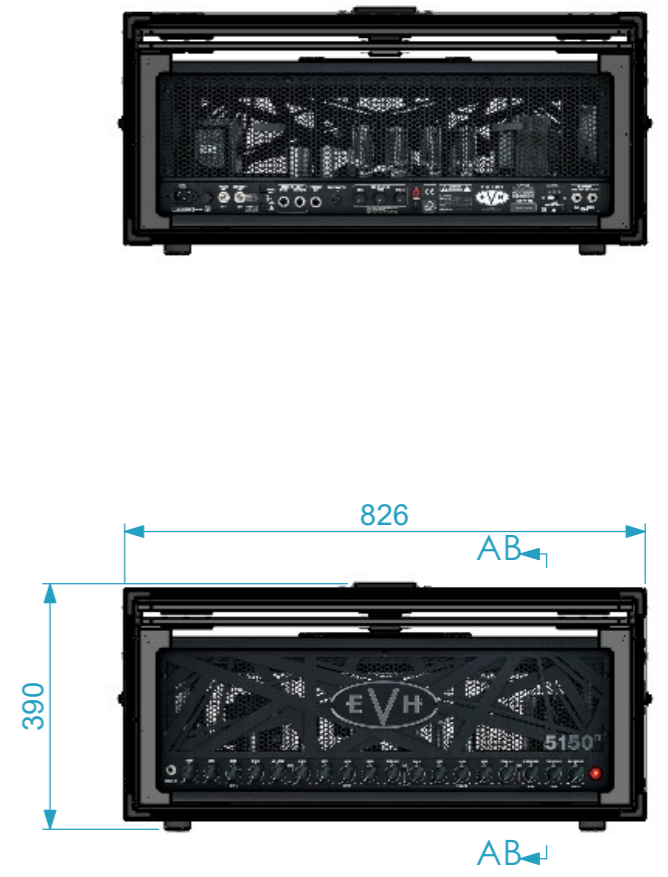
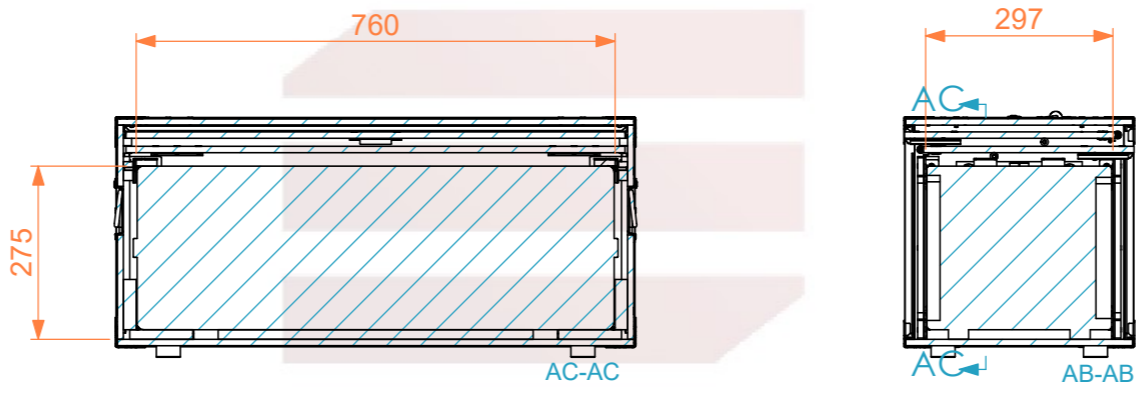
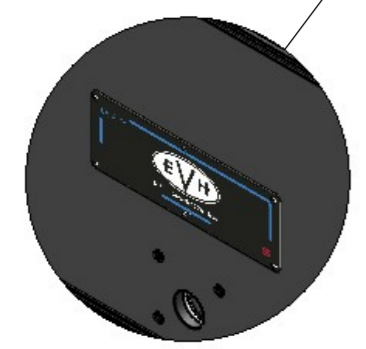
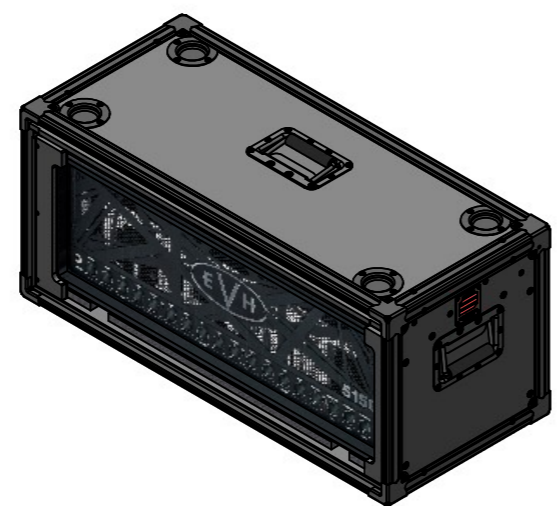
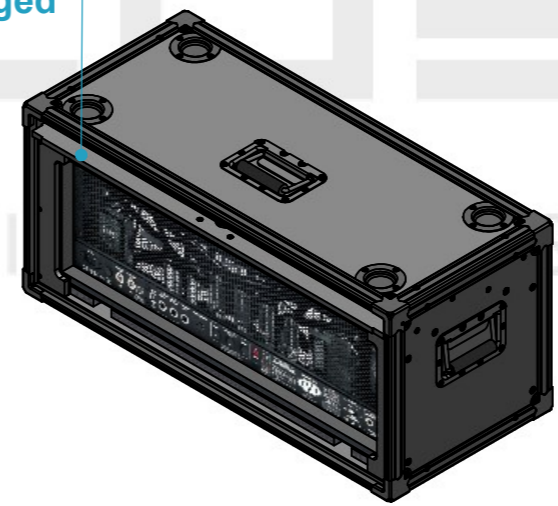


Equipment		
Evh 5150 III Stealth 100W Head		
Width	Depth	Height
769	293	281
Weight	Approx.25 Kg	
Internal Dimensions		
Width	Depth	Height
760	297	275
Weight	Approx. 15 Kg	
Wall Thickness		10mm



Top Sliding door  
Fully stored



(\*) Devices not included

General External Dimensions		Usable Inner Dimensions	
W	Width	Wi	Inside Width
D	Depth	Di	Inside Depth
H	Height	Hi	Inside Height

Name	Date
Drawn by alvaro.santos	17/07/2024
Reference	XB2D.EVH5150H
Scale	1:12
units in mm	DO NOT SCALE
general tolerance	0.8mm
1st Angle projection	
Rock XB-Rack, 1x EVH 5150III 100S HEAD	



This drawing must not be copied or disclosed without consent of the owner

A3