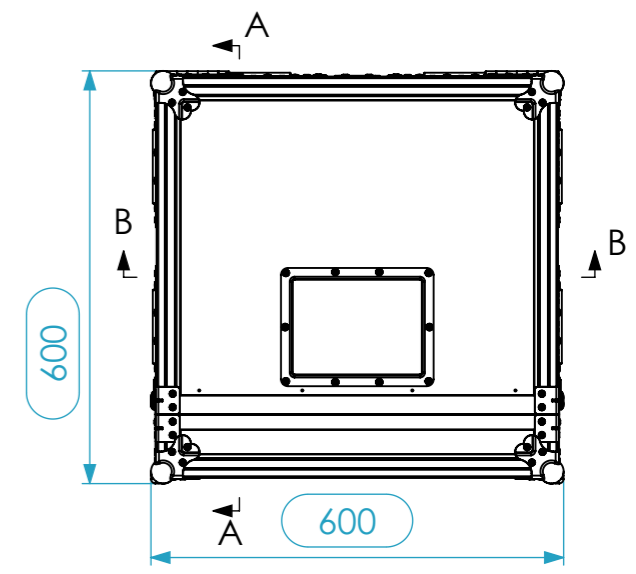
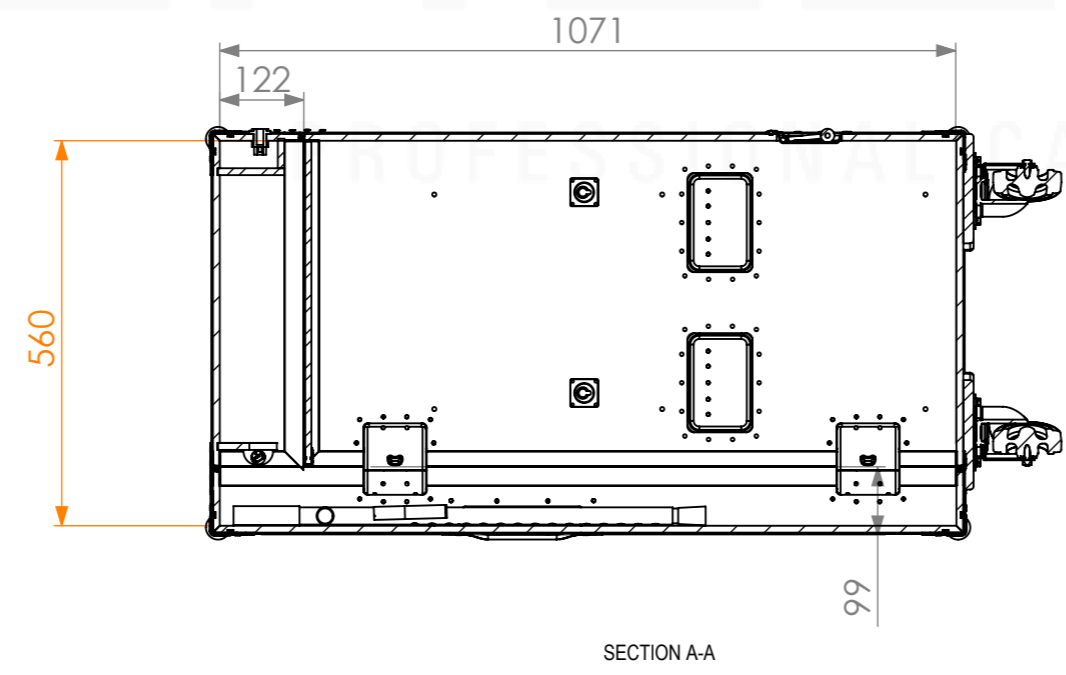
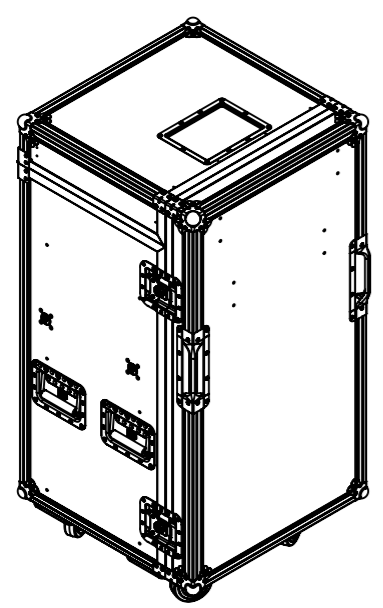
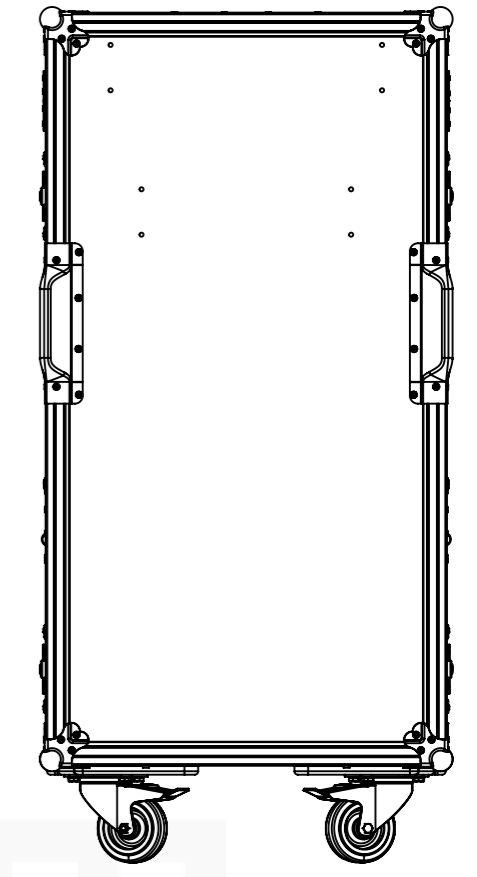
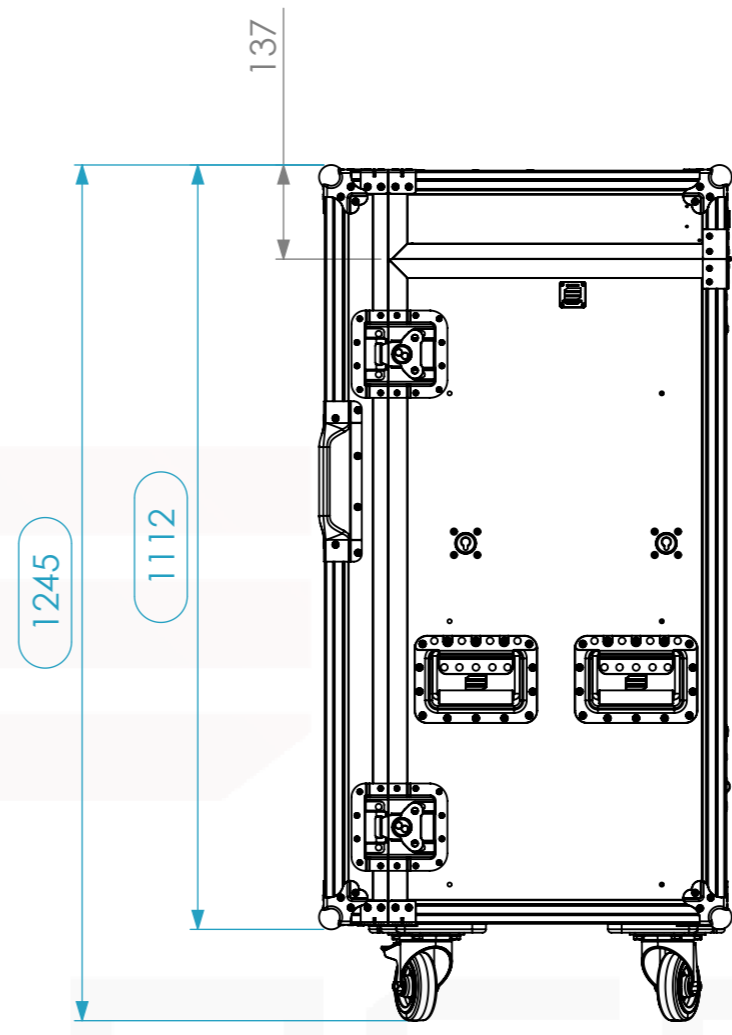
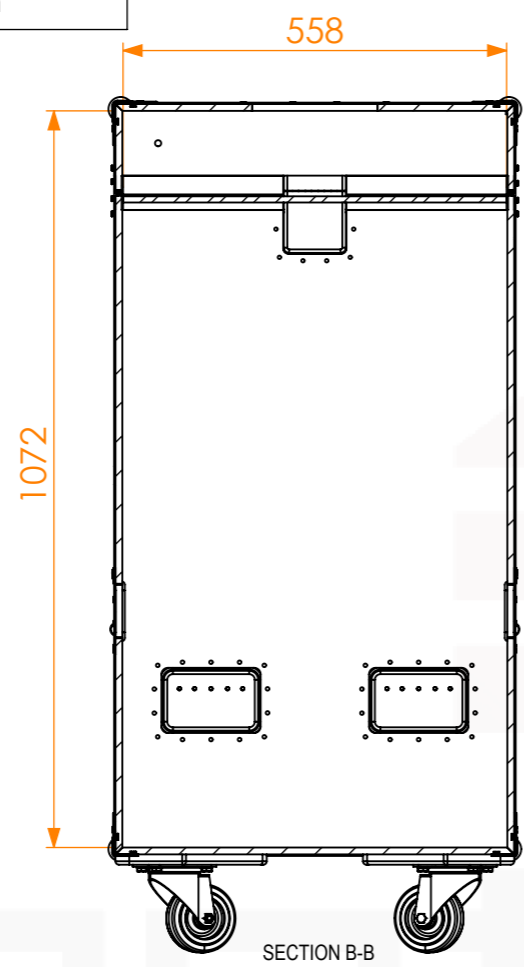
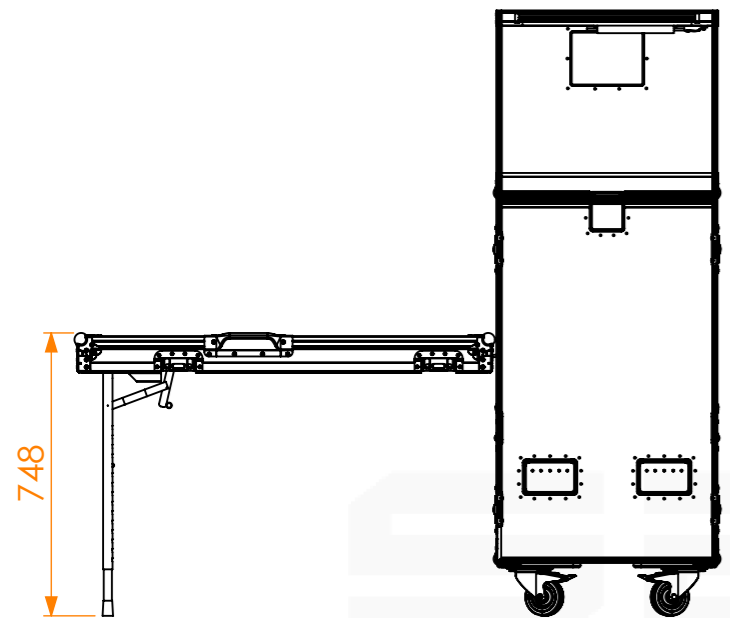


Internal Dimensions

Width	Depth	Height
558	560	23U
Weight	Approx. 43 Kg	
Wall Thickness		10mm



General External Dimensions		Usable Inner Dimensions	
W	Width	Wi	Inside Width
D	Depth	Di	Inside Depth
H	Height	Hi	Inside Height

Name	CarlaSilva	Date	27/11/2018
Reference	X33DR.0606023U		
Scale	1:1	units in mm	general tolerance 0.8mm
1st Angle projection	FC, X3, 530MMX481MMX23UN		



This drawing must not be copied or disclosed without consent of the owner

A3