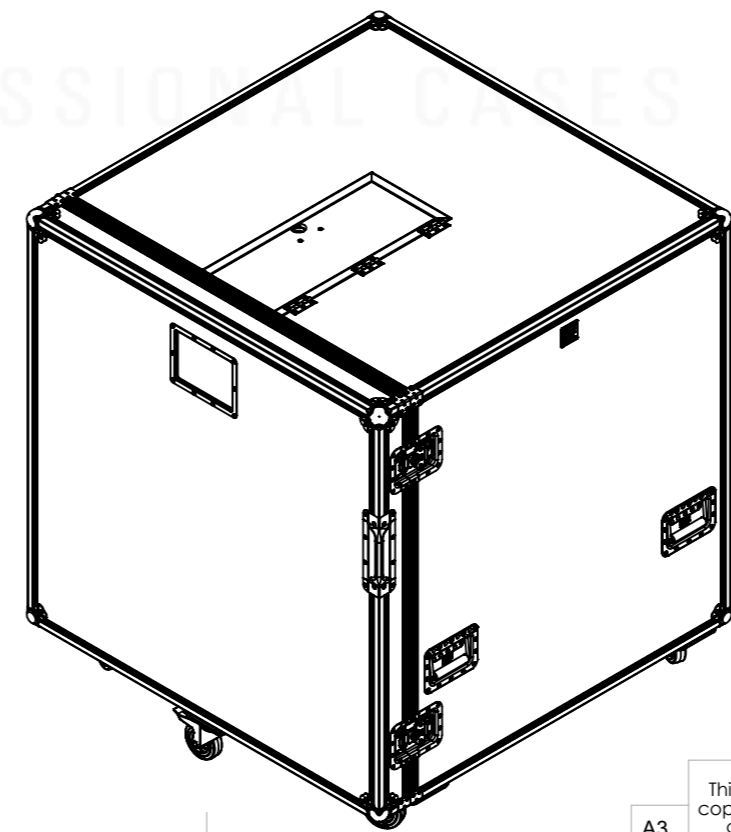
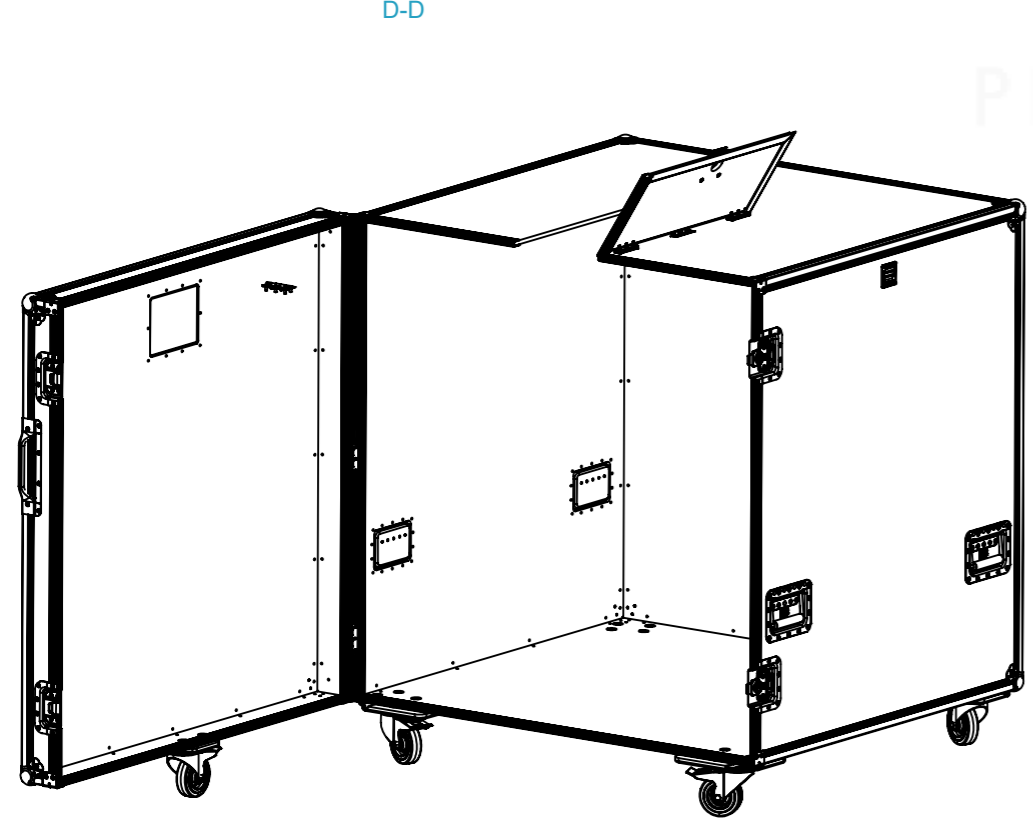
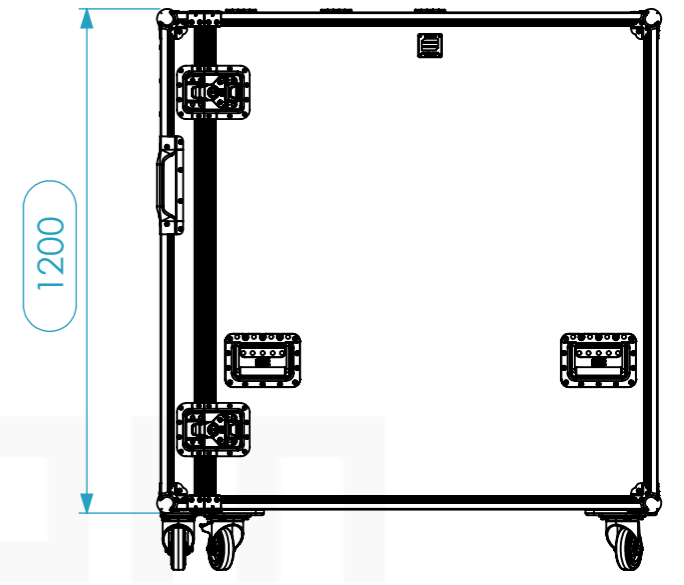
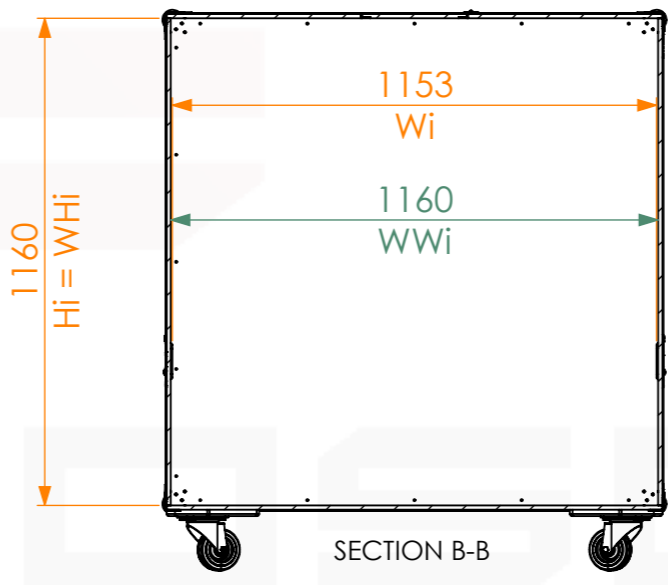
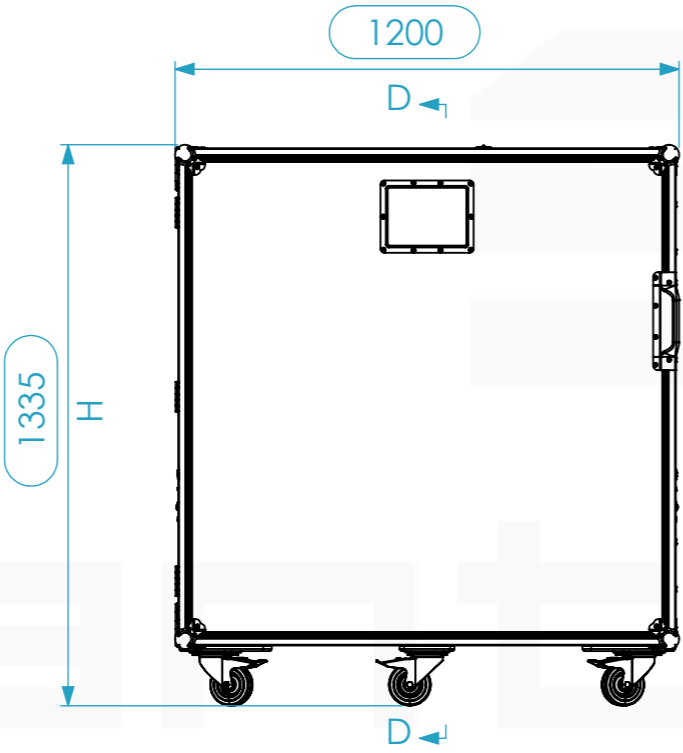
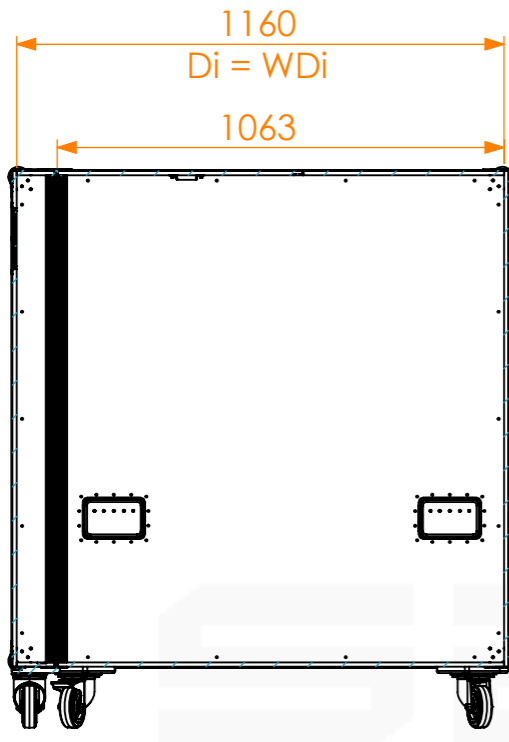
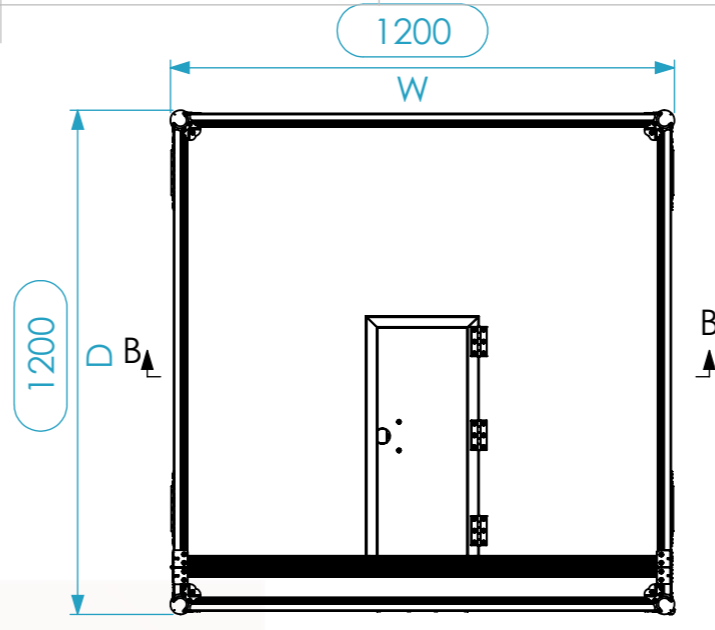


Dimensions		
Width	Depth	Height
1200	1200	1335
Weight	Approx. 76 Kg	
Wall Thickness	10mm	



General External Dimensions	
W	Width
D	Depth
H	Height
Usable Inner Dimensions	
Wi	Inside Width
Di	Inside Depth
Hi	Inside Height
Wood Inner Dimensions	
WWi	Wood Inside Width
WDi	Wood Inside Depth
WHi	Wood Inside Height

Name	Date
Drawn by rita.monteiro	07/05/2026
Reference	X2BMR.120120120
Scale	1:18
units in mm	general tolerance 0.8mm
DO NOT SCALE	
Malão X2 X2BMR, 1156x1156x1156mm	



This drawing must not be copied or disclosed without consent of the owner



A3