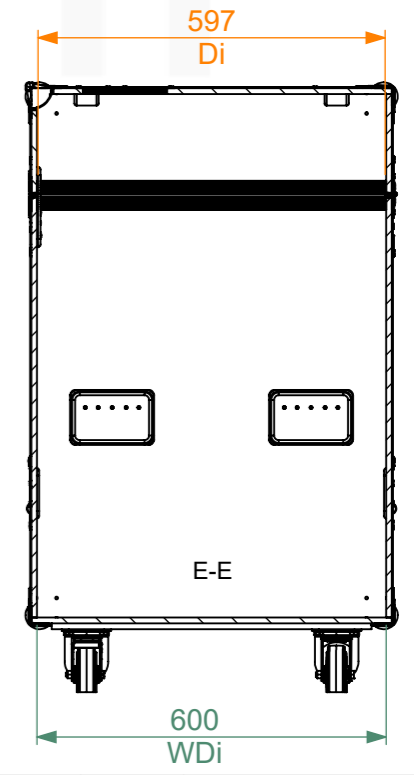
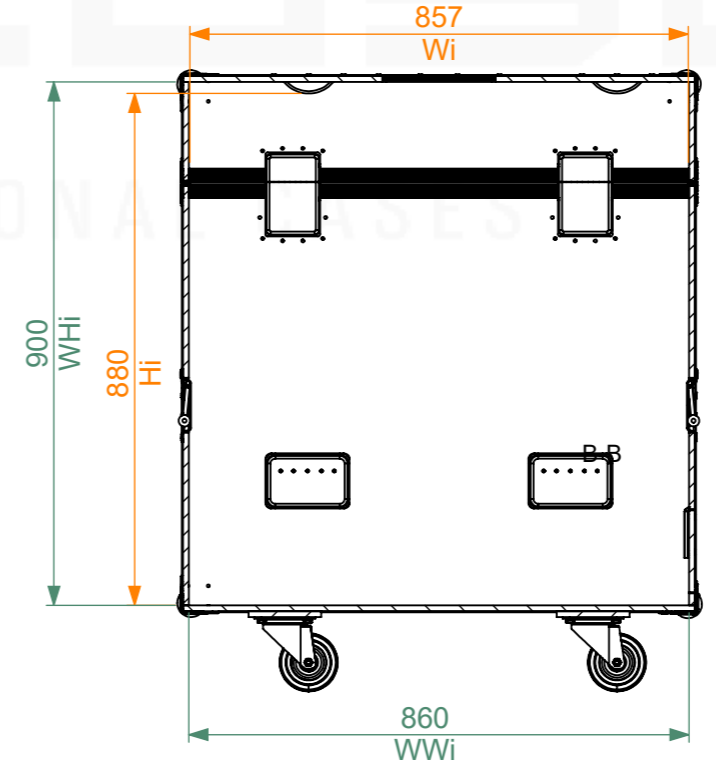
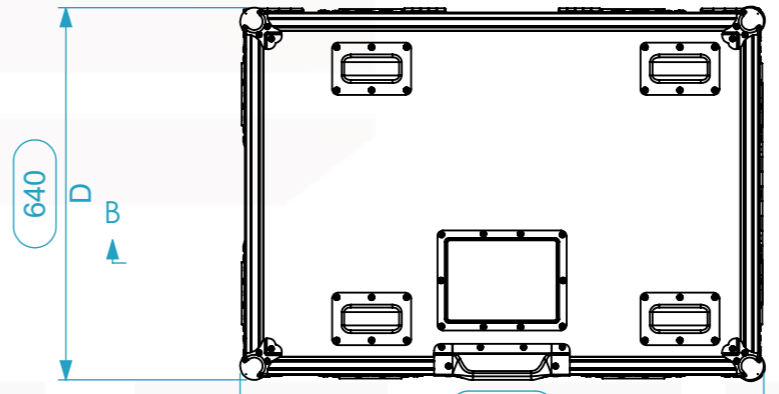
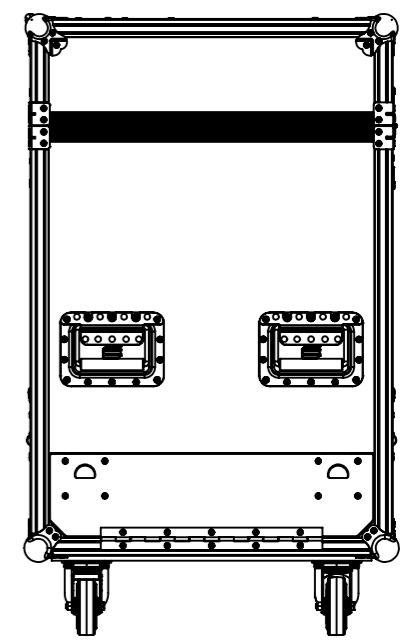
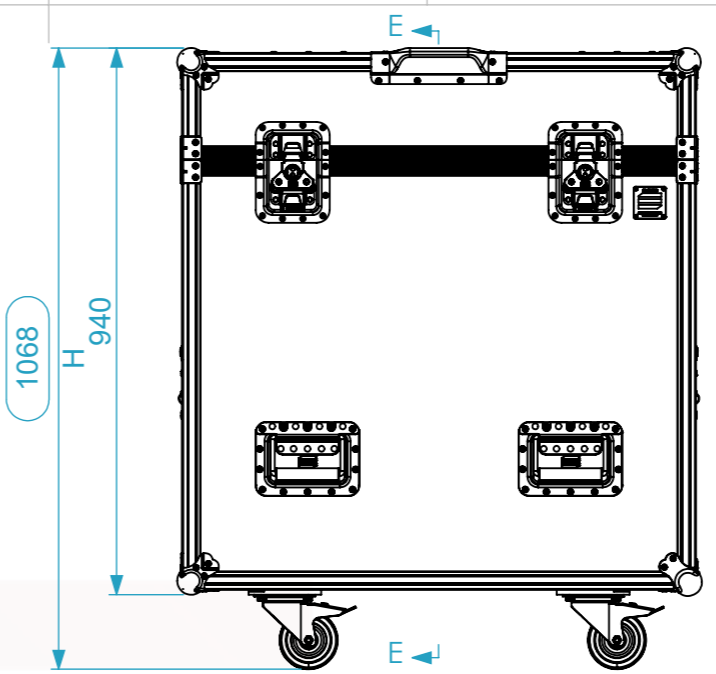
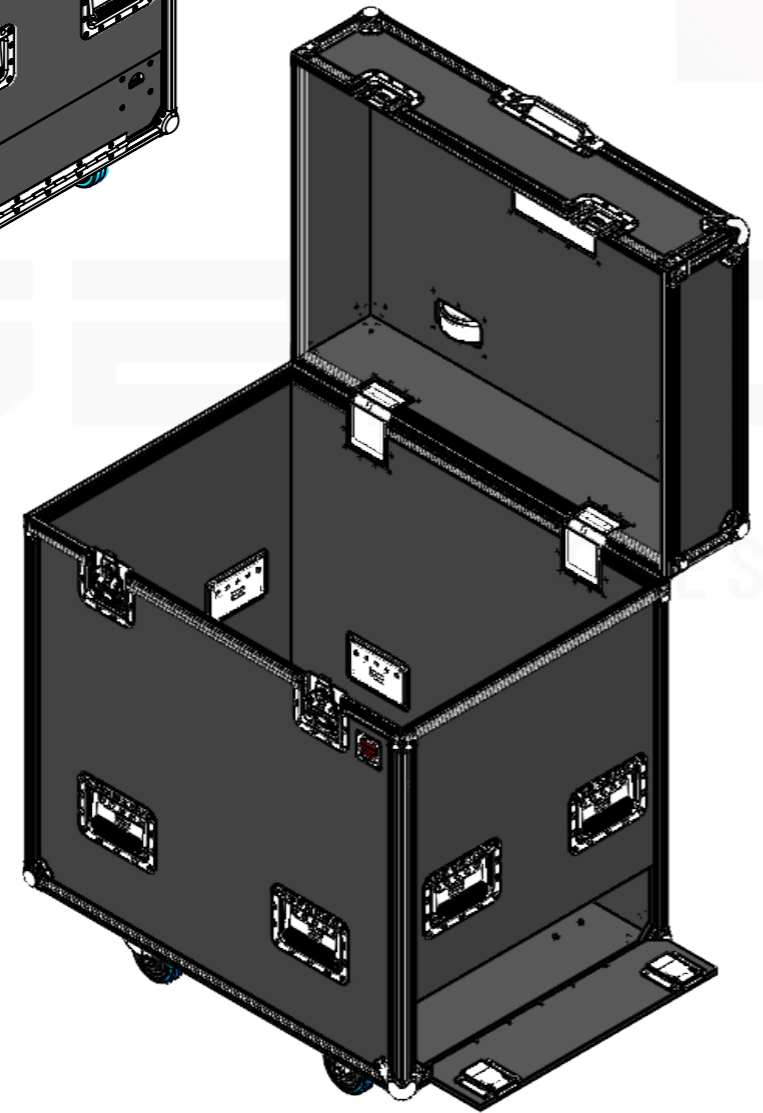
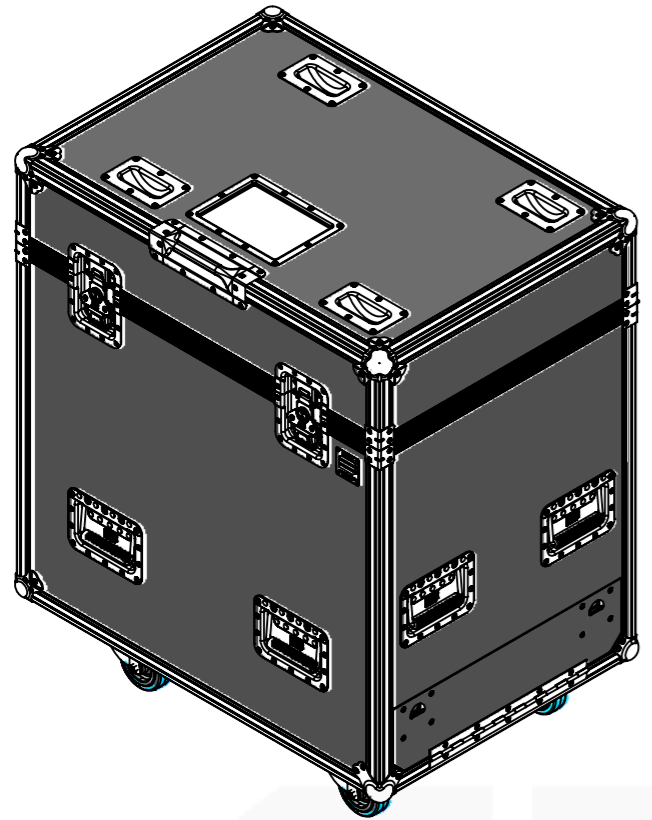


Internal Dimensions		
Width	Depth	Height
856	596	896
Weight	Approx. 46 Kg	
Wall Thickness		10mm



General External Dimensions		Usable Inner Dimensions		Wood Inner Dimensions	
W	Width	Wi	Inside Width	WWi	Wood Inside Width
D	Depth	Di	Inside Depth	WDi	Wood Inside Depth
H	Height	Hi	Inside Height	WHi	Wood Inside Height

This drawing must not be copied or disclosed without consent of the owner

Name	Date
alvaro.santos	09/12/2022
Reference	X2BKR.0906494R2A
Scale	1:13
units in mm	general tolerance 0.8mm
DO NOT SCALE	
1st Angle projection	Malbo PRO, X2BK 90.64.94 Tampa 180 (856x596x896) Porta 145mm



A3