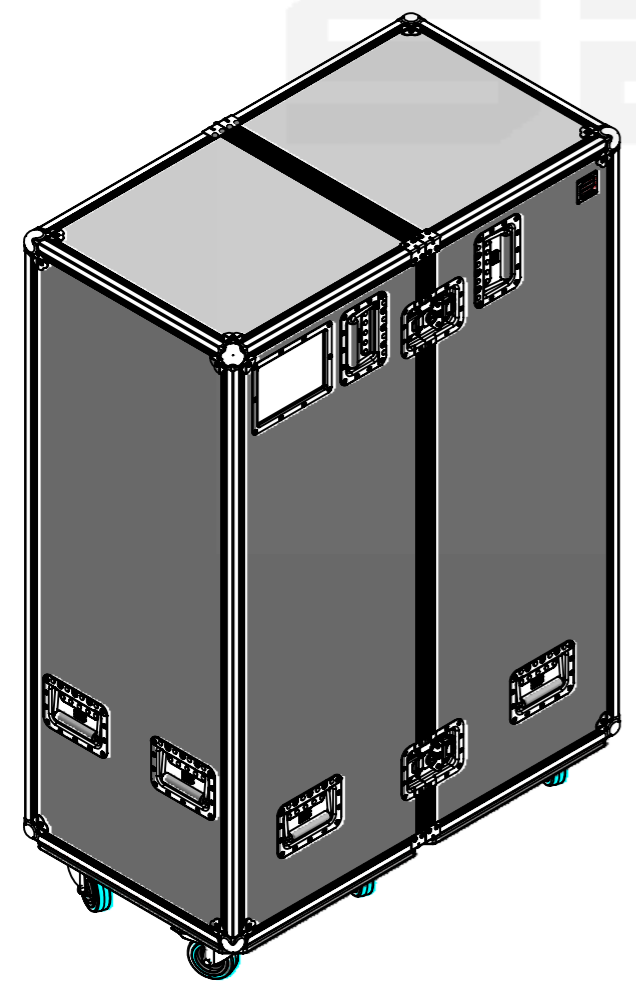
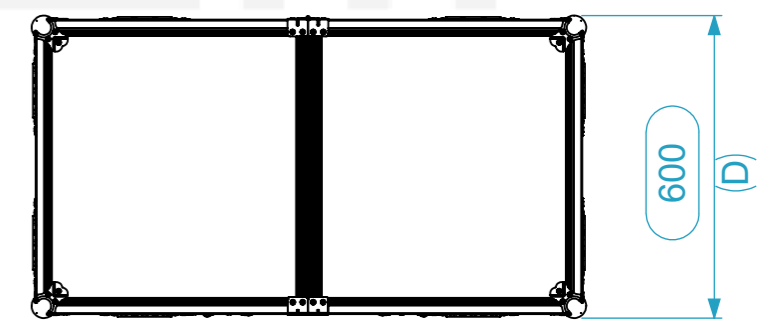
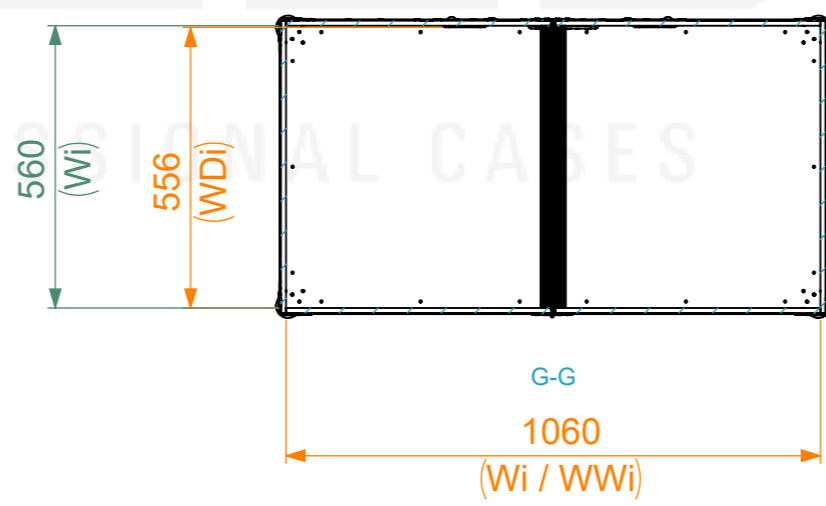
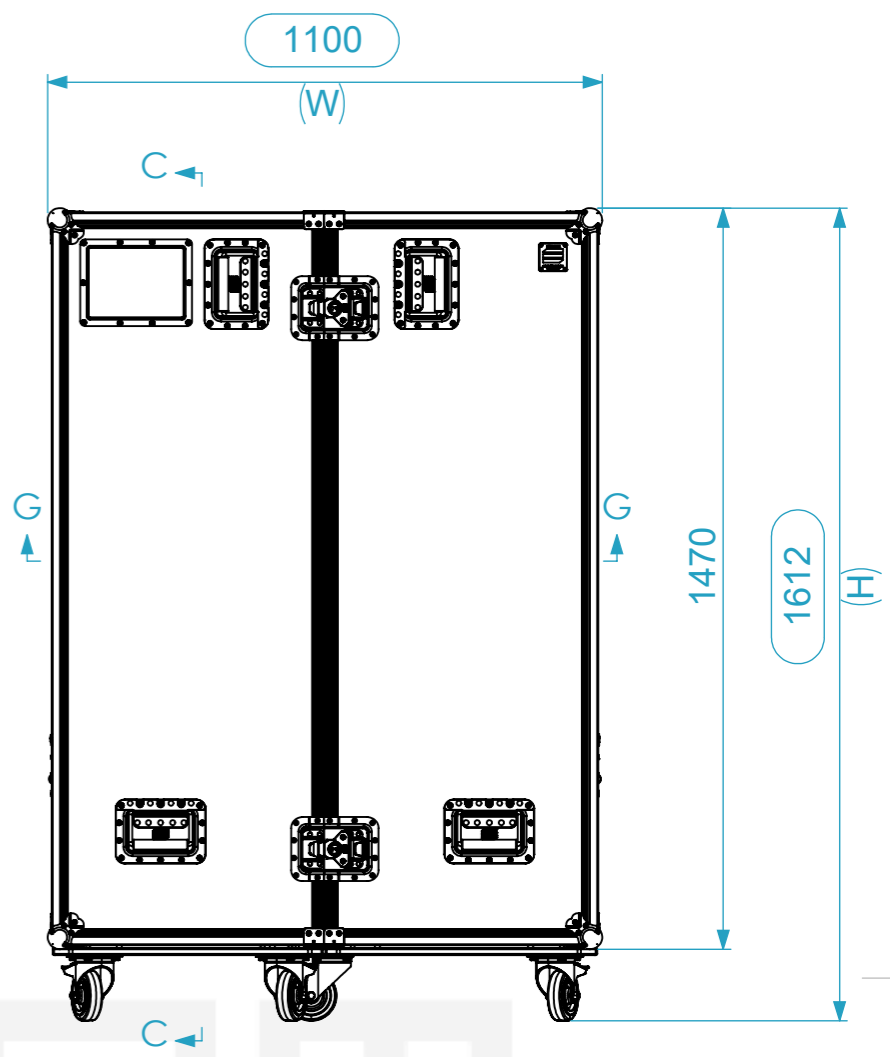
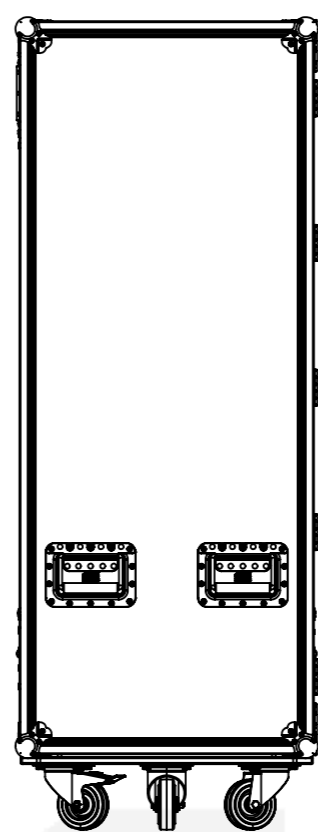
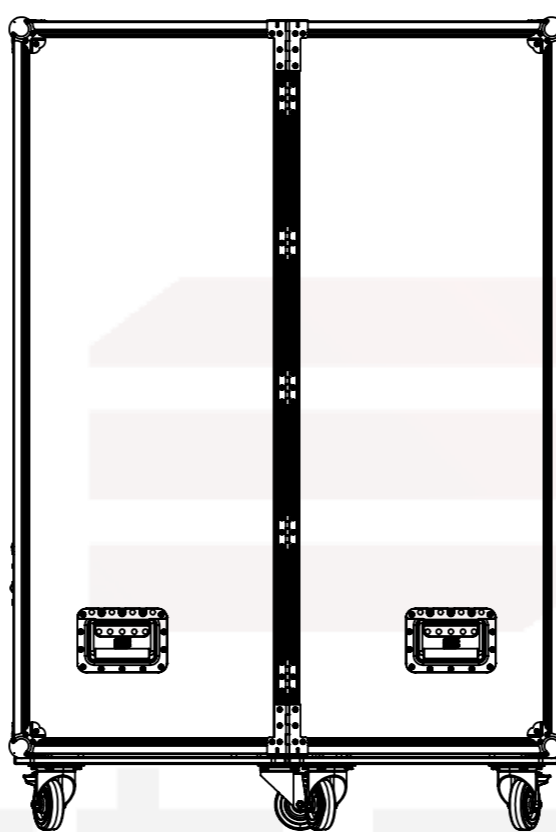
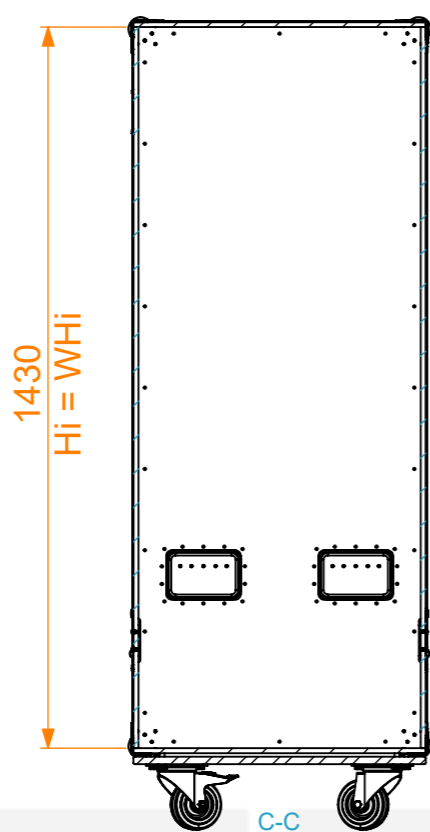


Internal Dimensions		
Width	Depth	Height
1060	556	1426
Weight	Approx. 68 Kg	
Wall Thickness		10mm



Usable Inner Dimensions		General External Dimensions		Wood Inner Dimensions	
Wi	Inside Width	W	Width	WWi	Wood Inside Width
Di	Inside Depth	D	Depth	WDi	Wood Inside Depth
Hi	Inside Height	H	Height	WHi	Wood Inside Height

A3	This drawing must not be copied or disclosed without consent of the owner	Scale	1:15
		units in mm	DO NOT SCALE
1st Angle projection		Reference	X2ABR.11060147
		Name	jose.couto
		Date	27/04/2026
		Reference	FC X2ABR.1060x556x1426mm
		general tolerance	0.8mm

