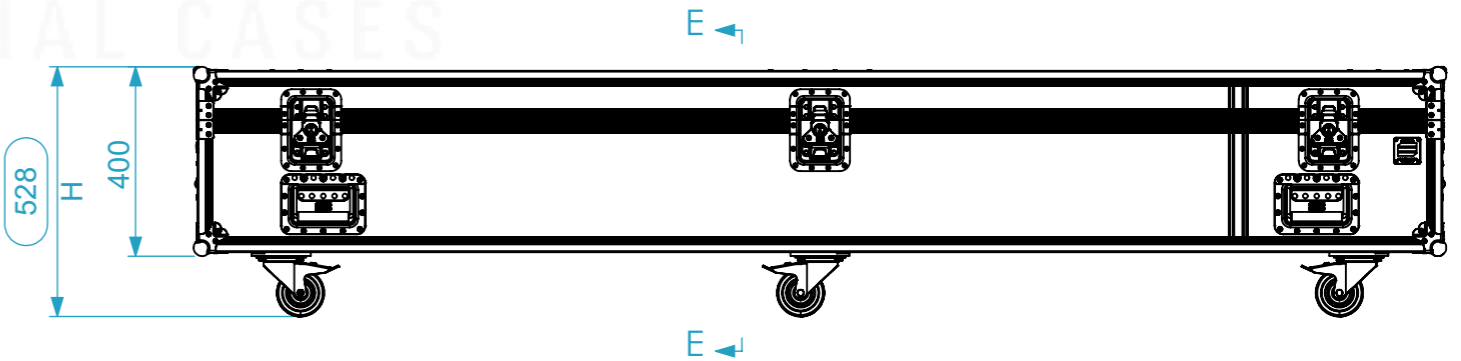
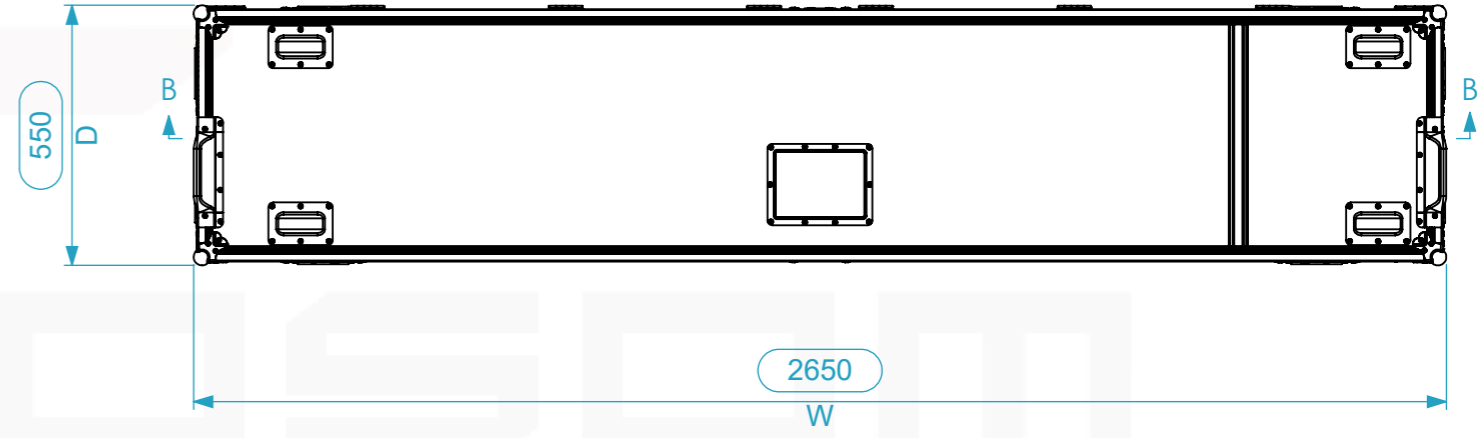
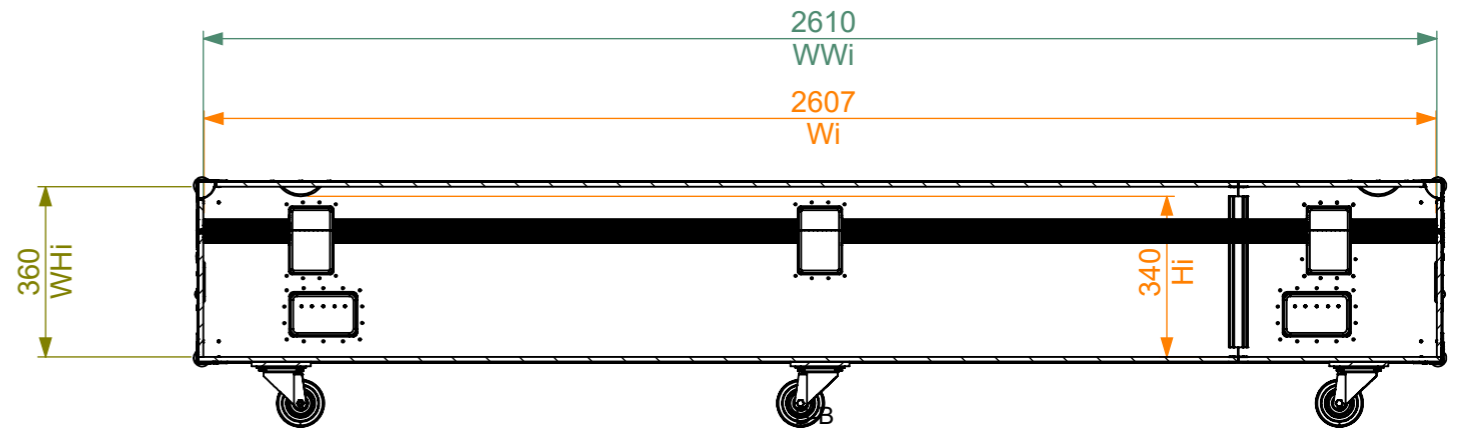
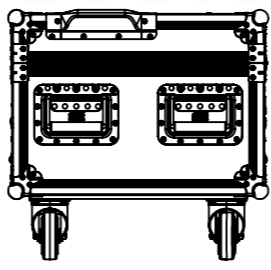
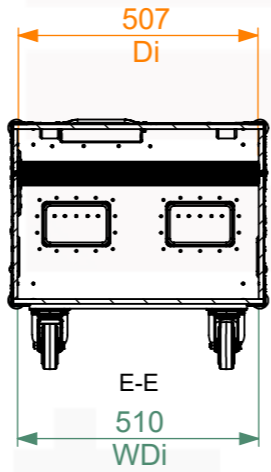
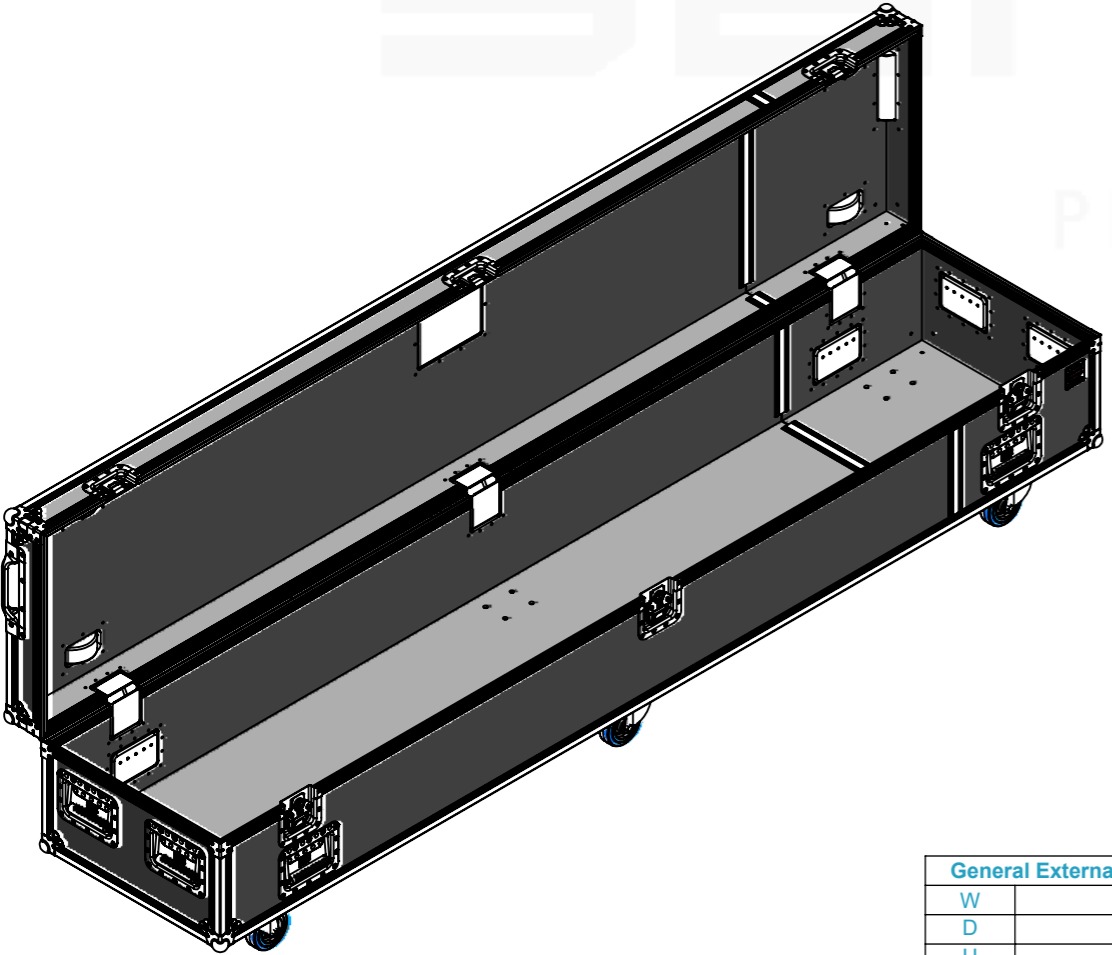
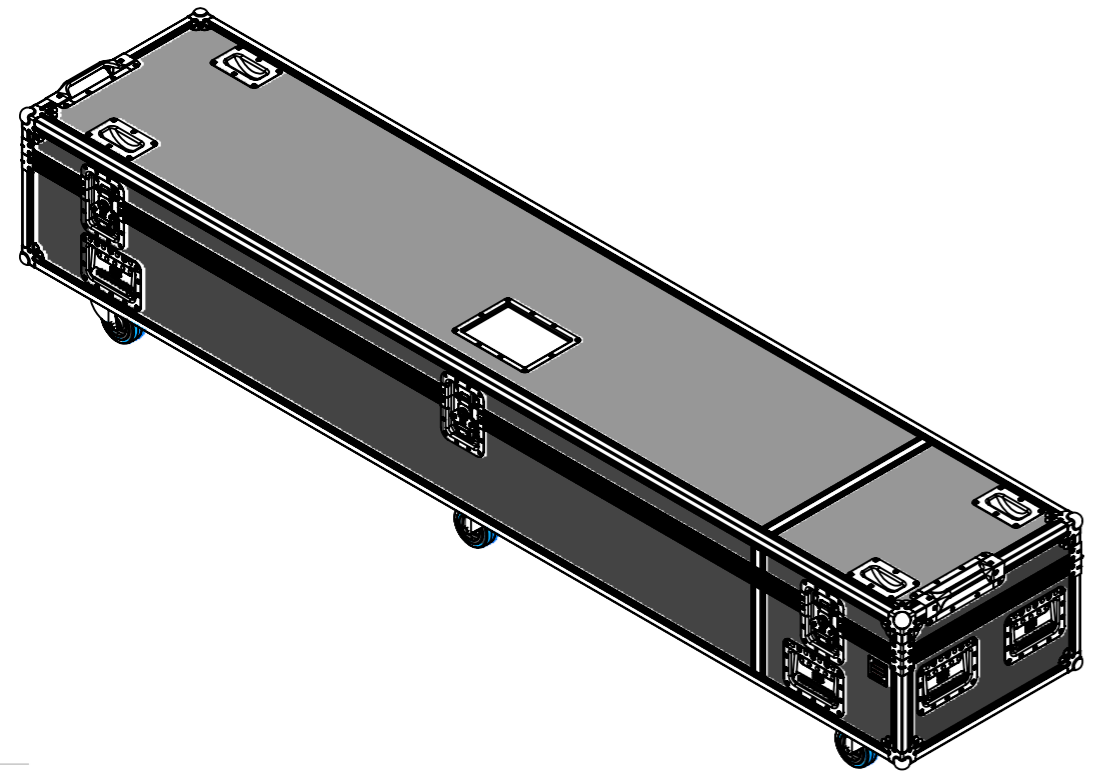


Internal Dimensions		
Width	Depth	Height
2606	506	356
Weight	Approx. 61 Kg	
Wall Thickness	10mm	



General External Dimensions		Usable Inner Dimensions		Wood Inner Dimensions	
W	Width	Wi	Inside Width	WWi	Wood Inside Width
D	Depth	Di	Inside Depth	WDi	Wood Inside Depth
H	Height	Hi	Inside Height	WHi	Wood Inside Height

This drawing must not be copied or disclosed without consent of the owner

Drawn by	Name	Date
paula.almeida	paula.almeida	01/06/2022
Reference	X2AAR.2655540	
Scale	units in mm	general tolerance
1:16	DO NOT SCALE	0.8mm
Trunk X2 265.55.40 (261x51x36 WID)		



A3

