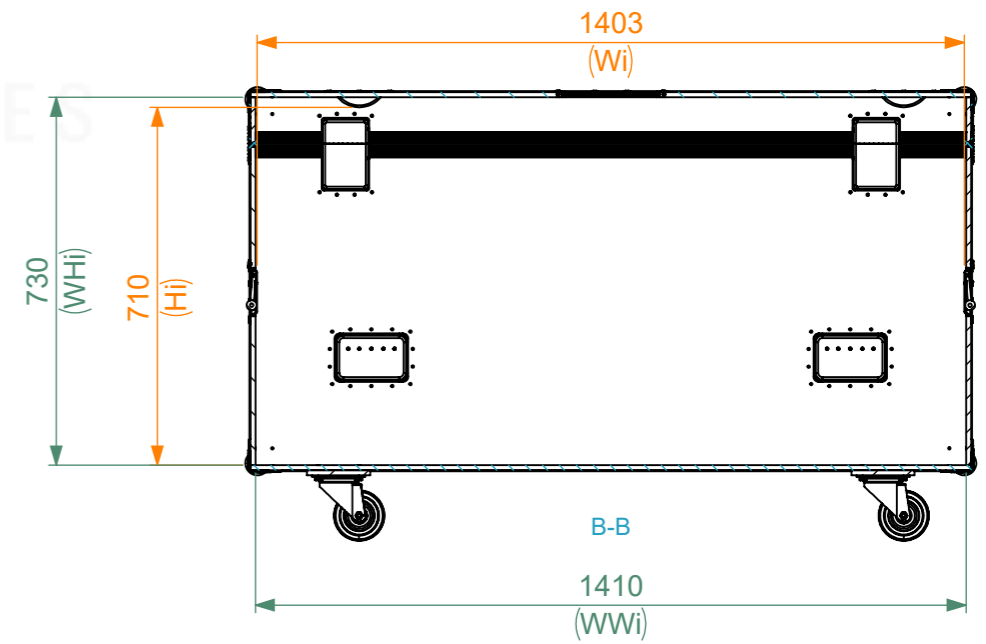
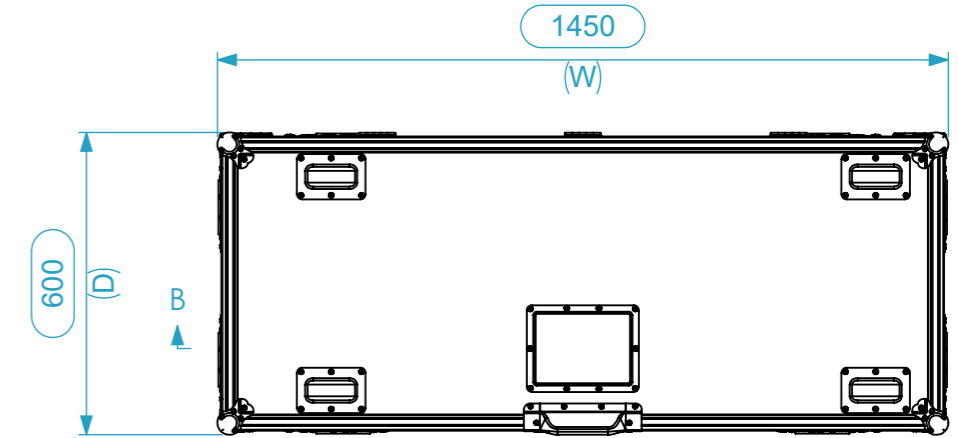
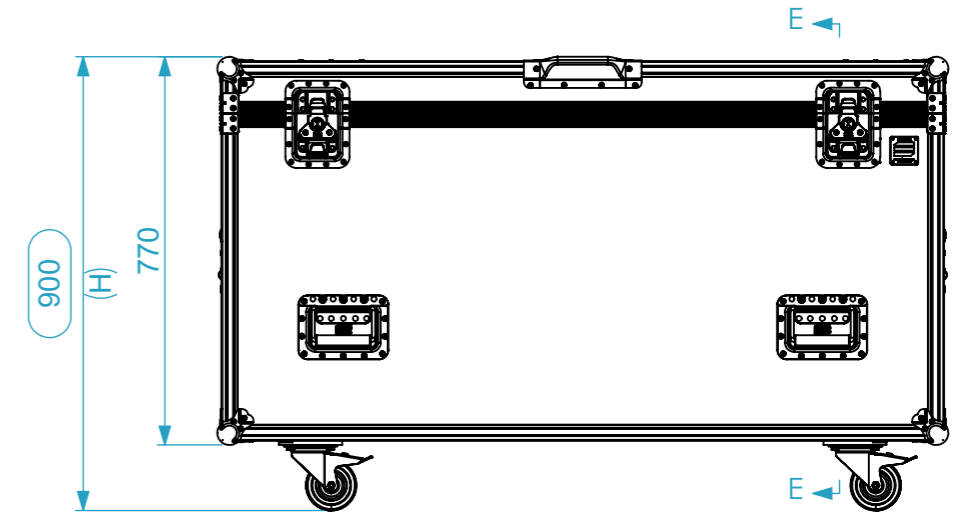
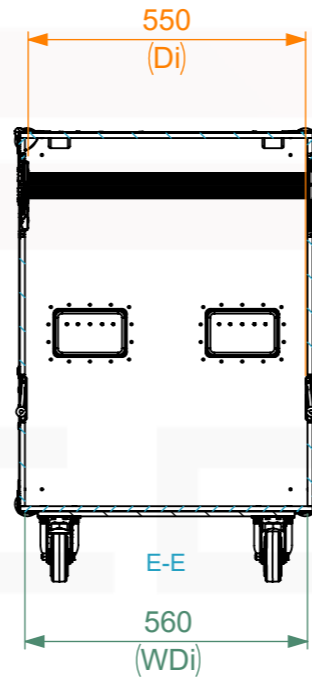
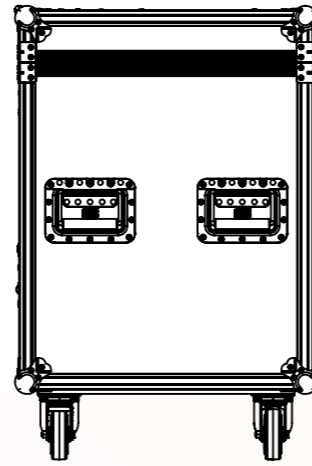
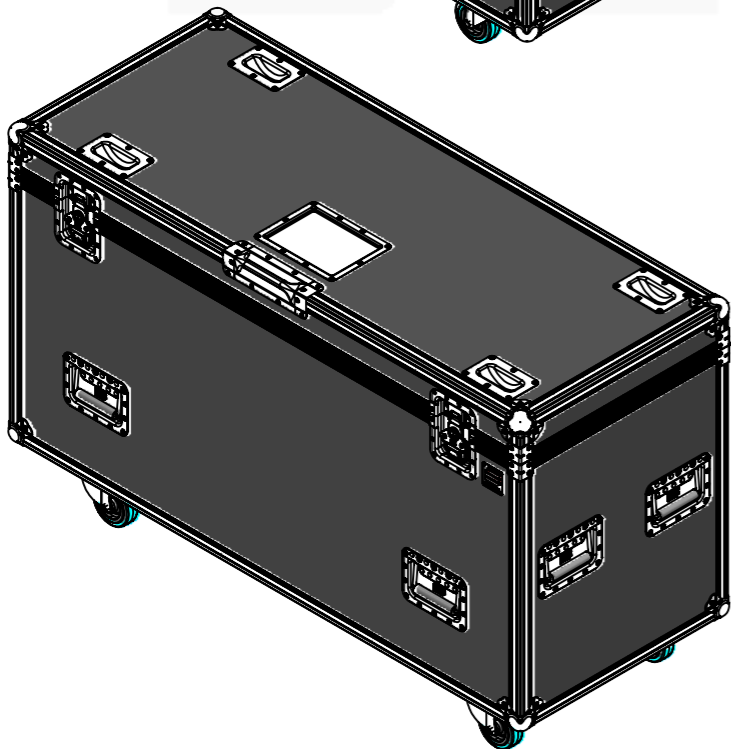
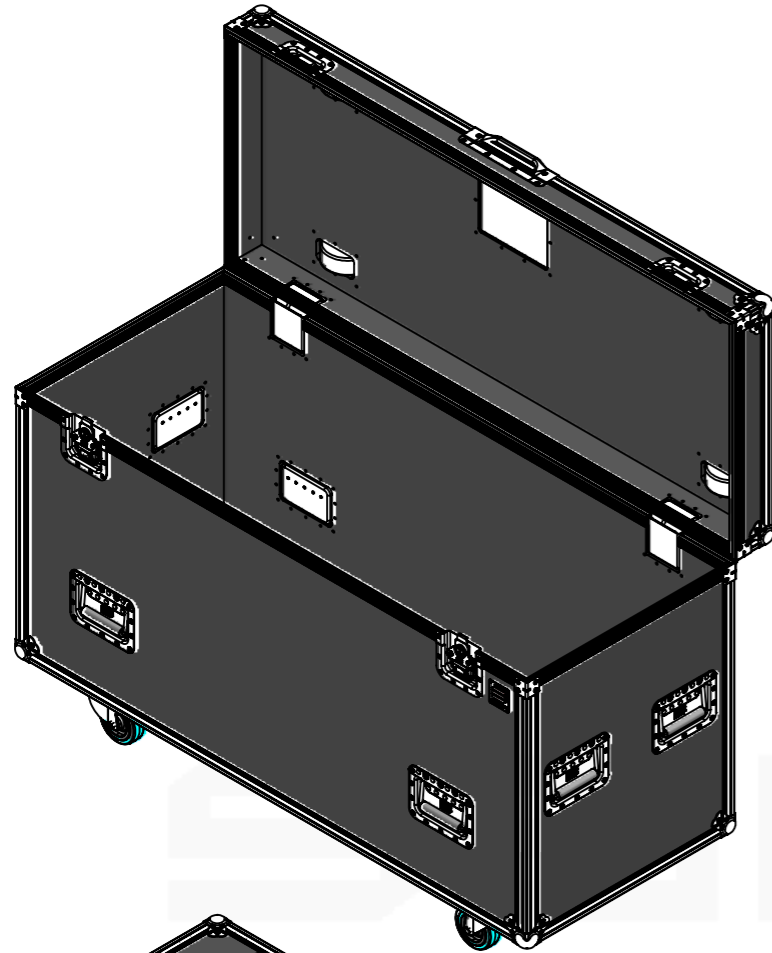


Internal Dimensions		
Width	Depth	Height
1403	550	710
Weight	Approx. 49 Kg	
Wall Thickness	10mm	



General External Dimensions		Usable Inner Dimensions		Wood Inner Dimensions	
W	Width	Wi	Inside Width	WWi	Wood Inside Width
D	Depth	Di	Inside Depth	WDi	Wood Inside Depth
H	Height	Hi	Inside Height	WHi	Wood Inside Height

This drawing must not be copied or disclosed without consent of the owner

Drawn by	Name	Date
tiago.pais	tiago.pais	19/05/2026
Reference	X2AAR.1456070	
Scale	units in mm	general tolerance
1:15	DO NOT SCALE	0.8mm
1st Angle projection		
Matão PRO, X2 145.60.70 (140x55x756)		

