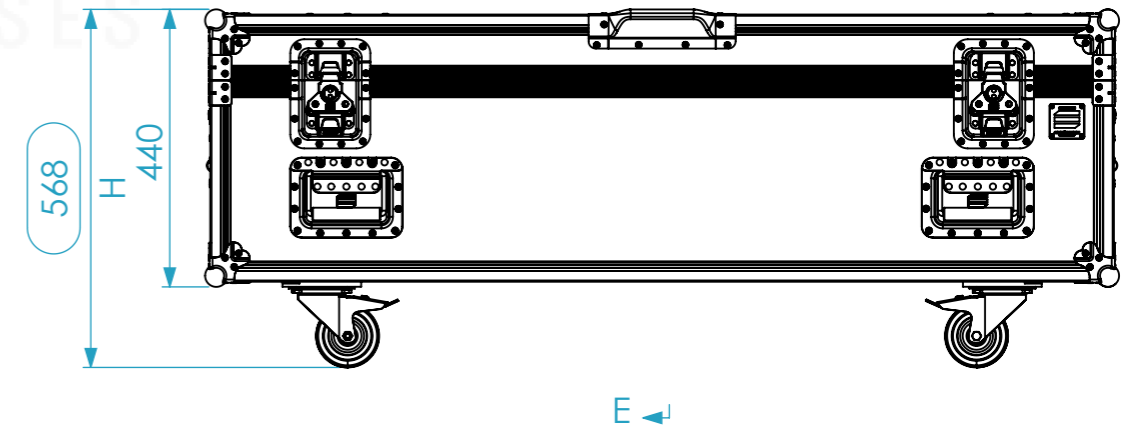
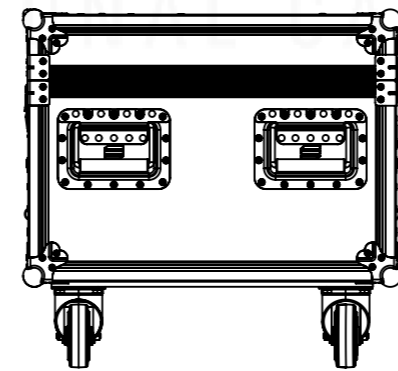
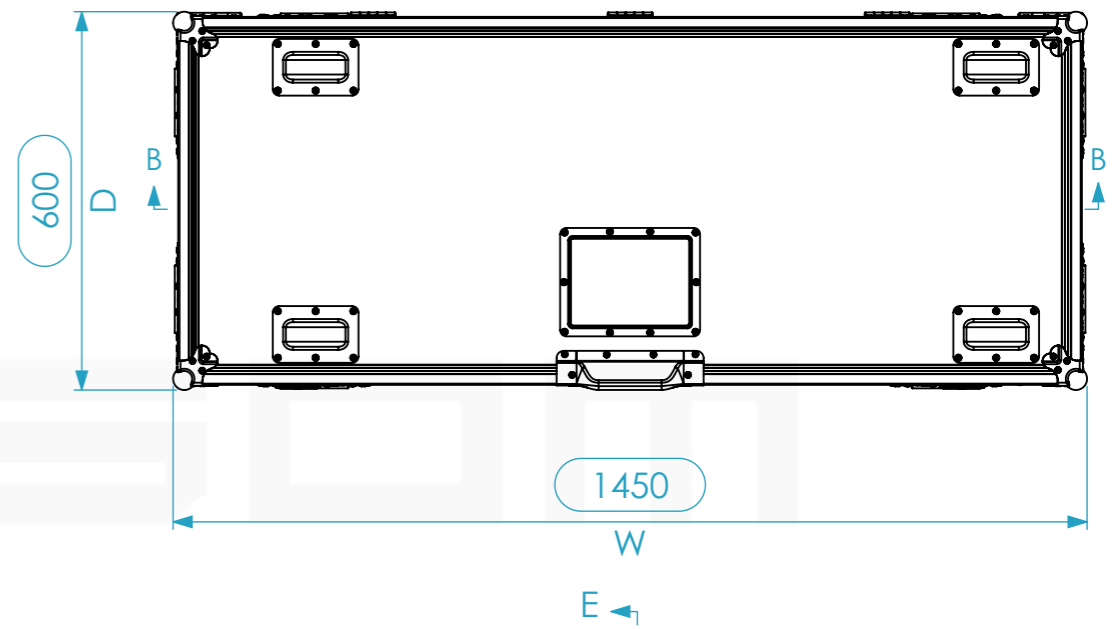
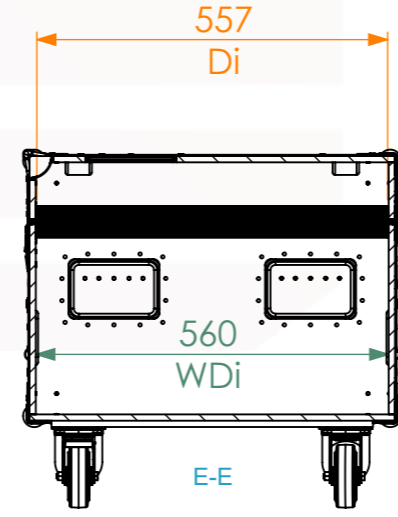
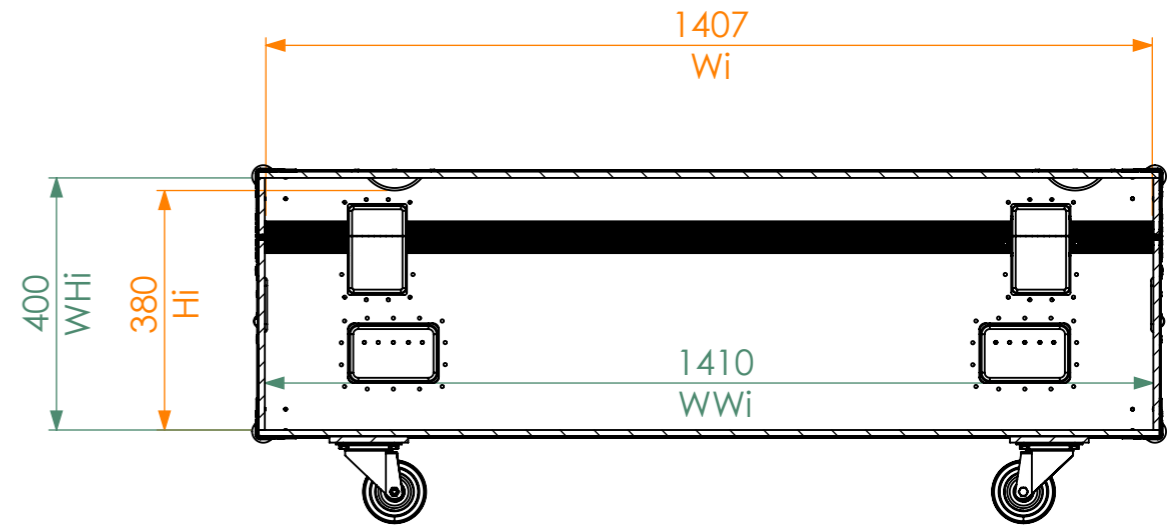
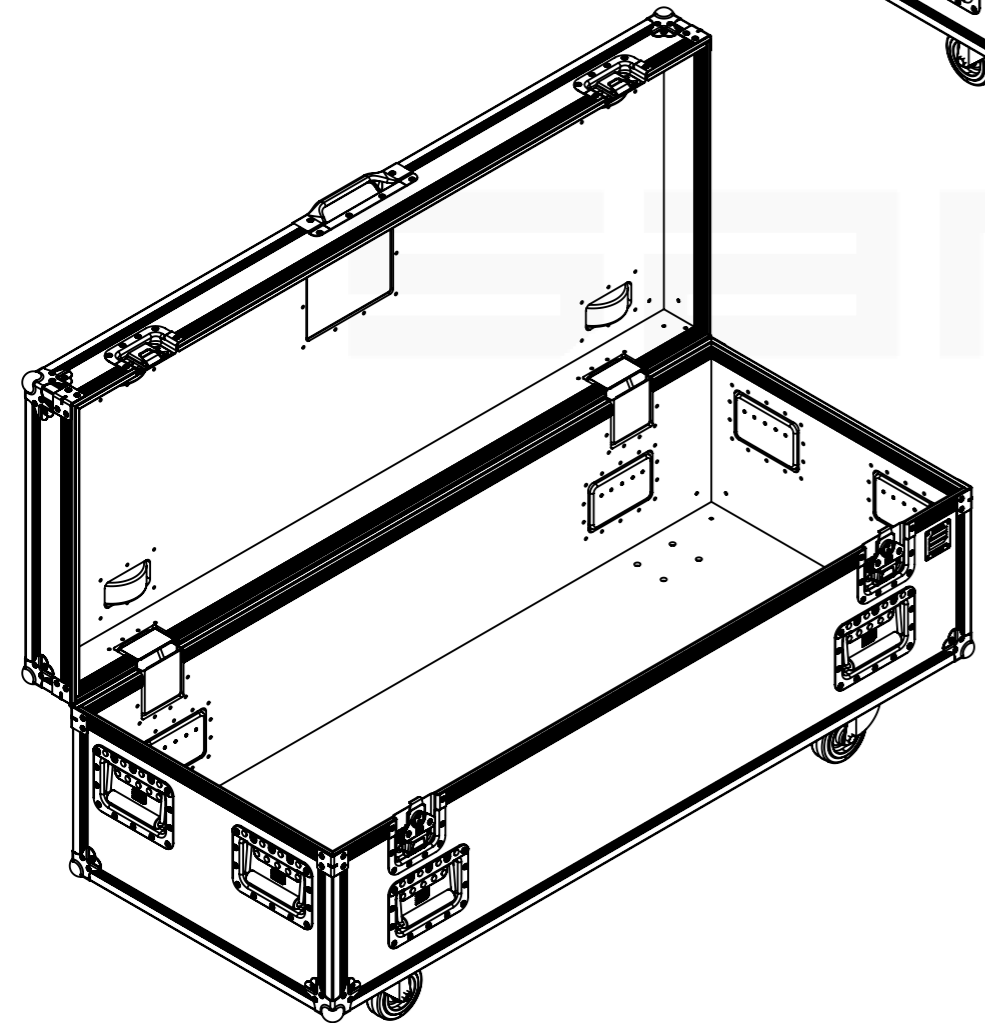
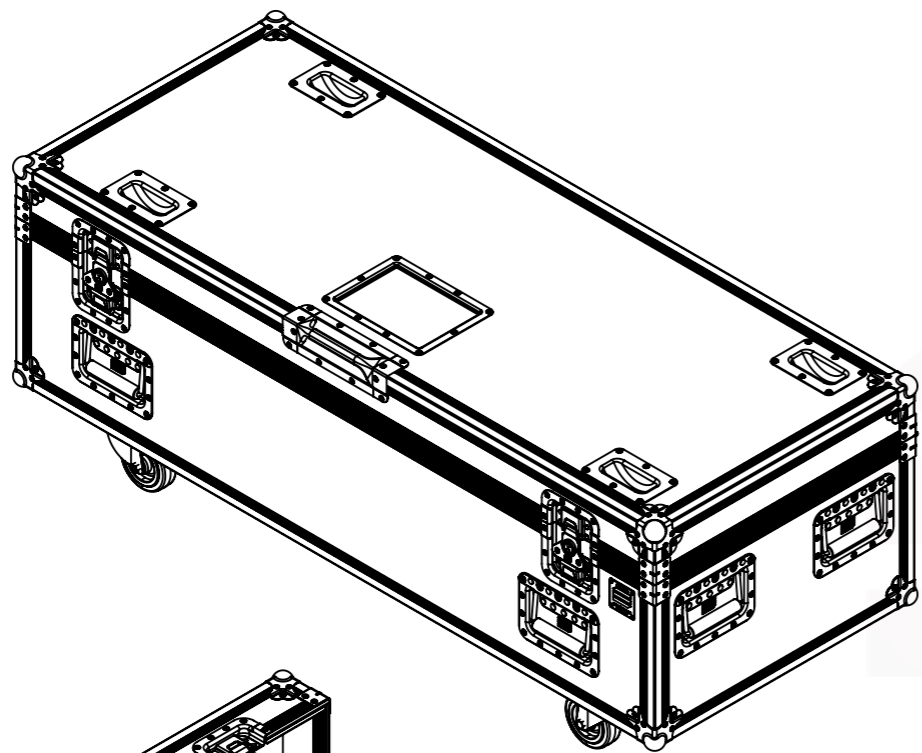


Internal Dimensions		
Width	Depth	Height
1406	556	396
Weight	Approx. 42 Kg	
Wall Thickness	10mm	



General External Dimensions		Usable Inner Dimensions		Wood Inner Dimensions	
W	Width	Wi	Inside Width	WWi	Wood Inside Width
D	Depth	Di	Inside Depth	WDi	Wood Inside Depth
H	Height	Hi	Inside Height	WHi	Wood Inside Height

This drawing must not be copied or disclosed without consent of the owner

Drawn by	Name	Date
projects		16/04/2021
Reference	X2AAR.1456044	
Scale	units in mm	general tolerance
1:12	DO NOT SCALE	0.8mm
Trunk ML X2 (1406x556x396 WID)		

