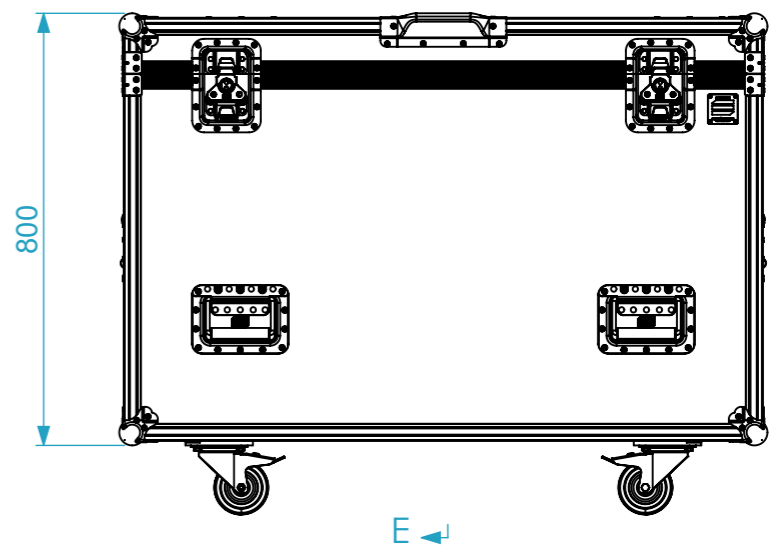
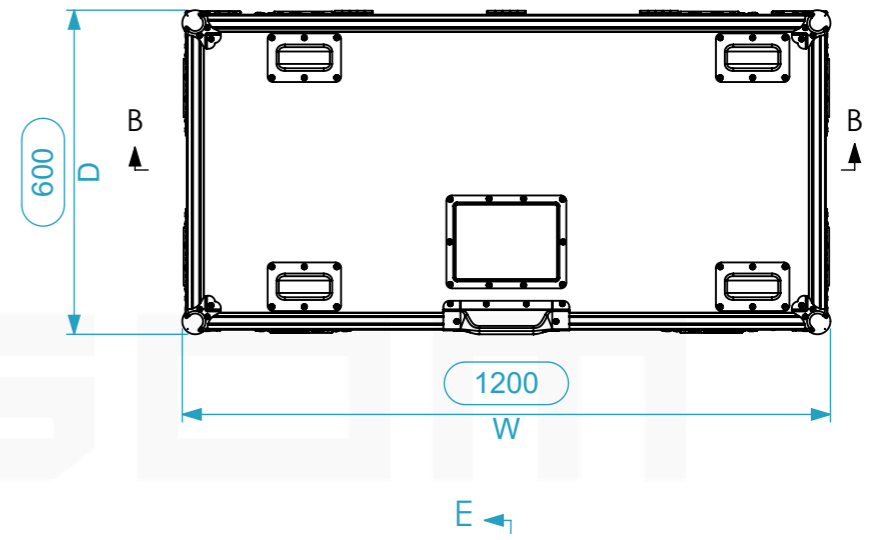
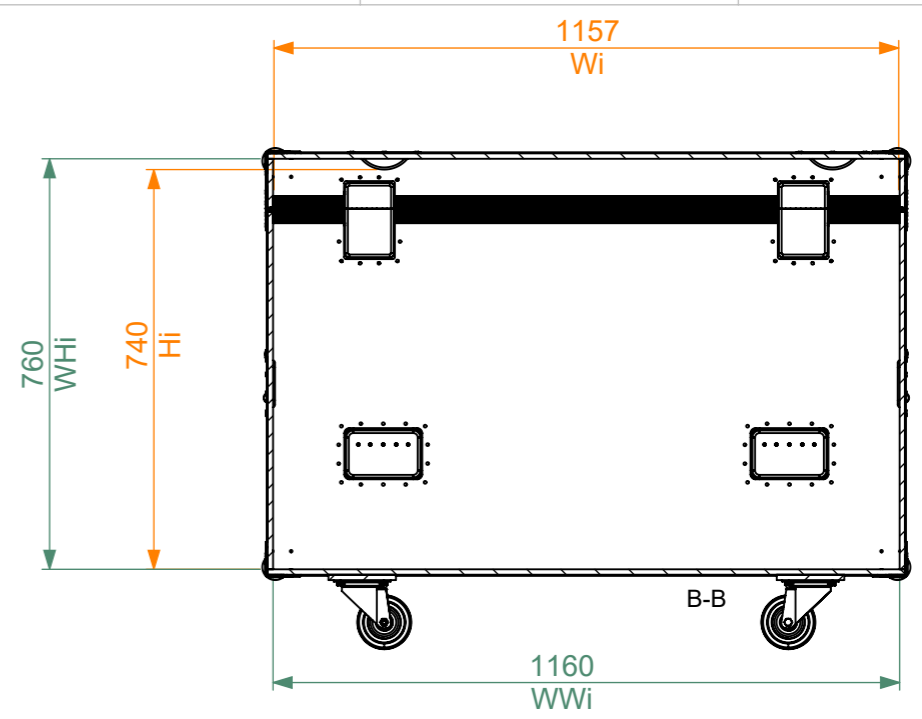
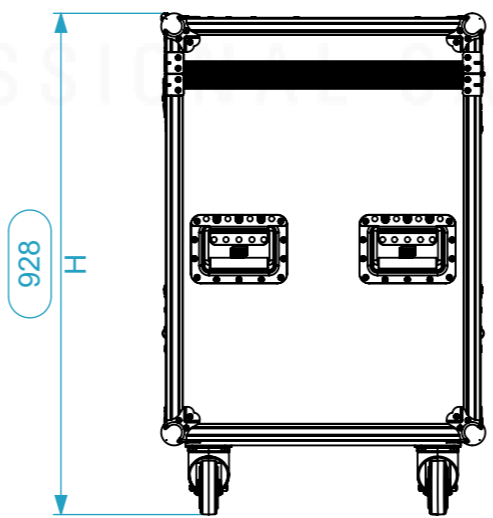
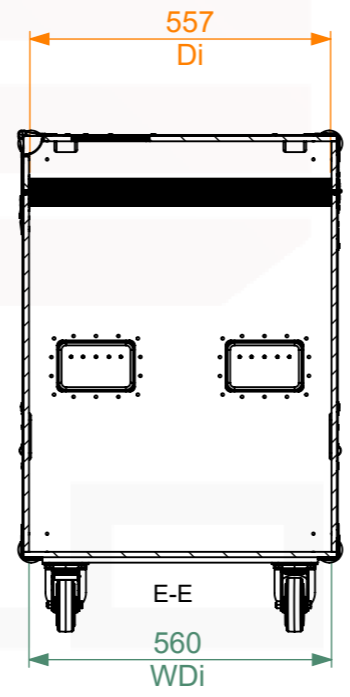
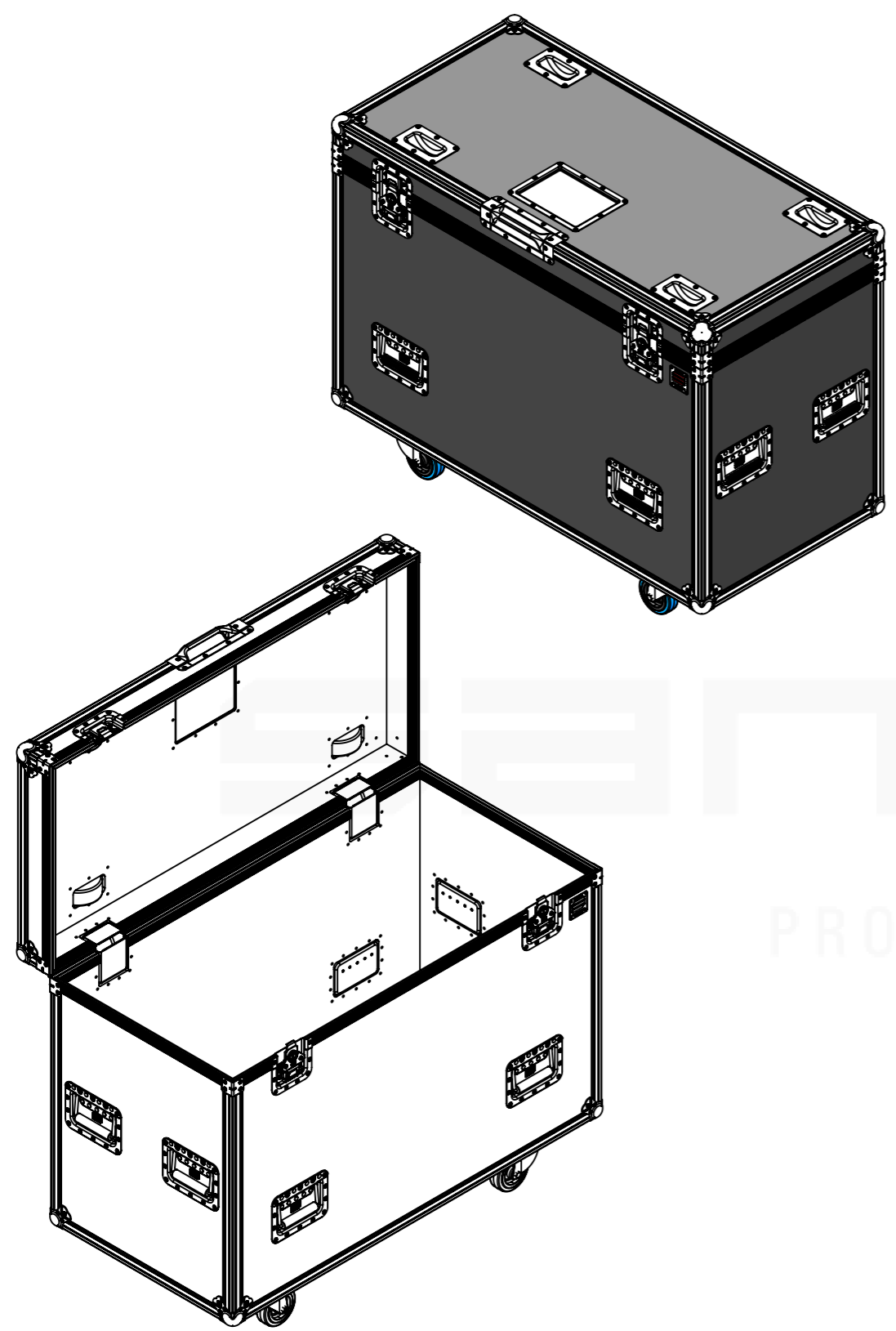


Internal Dimensions		
Width	Depth	Height
1156	556	756
Weight	Approx. 47 Kg	
Wall Thickness	10mm	



General External Dimensions		Usable Inner Dimensions		Wood Inner Dimensions	
W	Width	Wi	Inside Width	WWi	Wood Inside Width
D	Depth	Di	Inside Depth	WDi	Wood Inside Depth
H	Height	Hi	Inside Height	WHi	Wood Inside Height

Drawn by	Name	Date
alexandre	alexandre	09/09/2020
Reference	X2AAR1206080	
Scale	units in mm	general tolerance
1:14	DO NOT SCALE	0.8mm
1st Angle projection	Trunk X2 120.60.80 (116x56x76 WID)	



This drawing must not be copied or disclosed without consent of the owner

A3