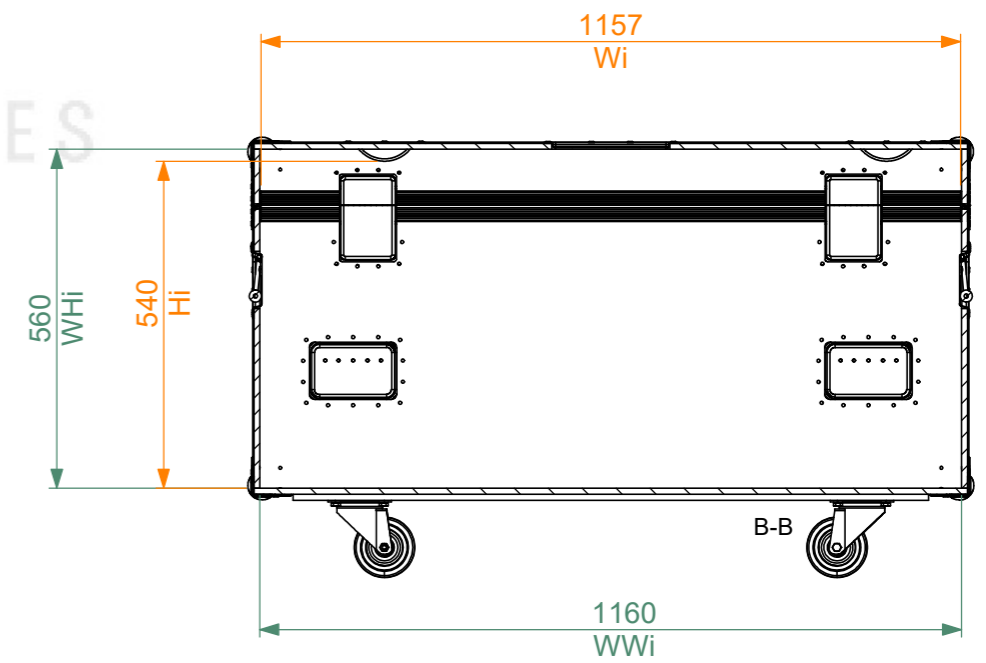
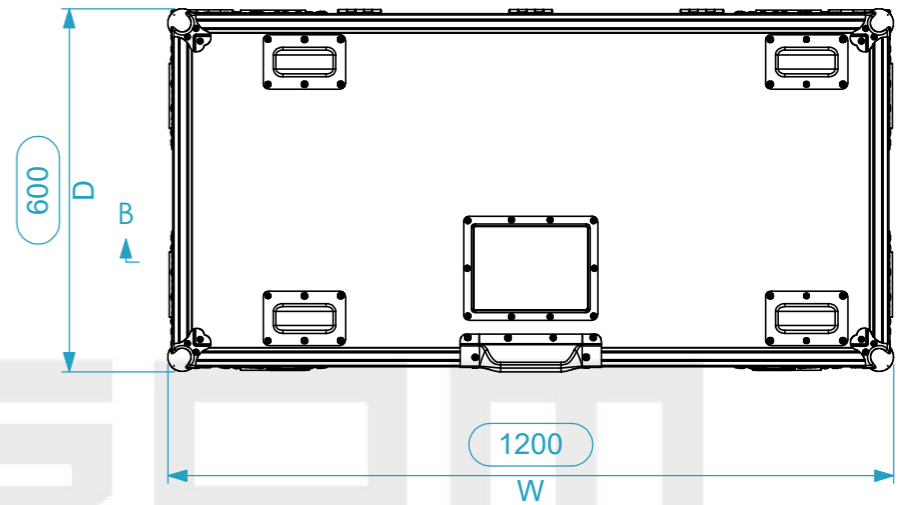
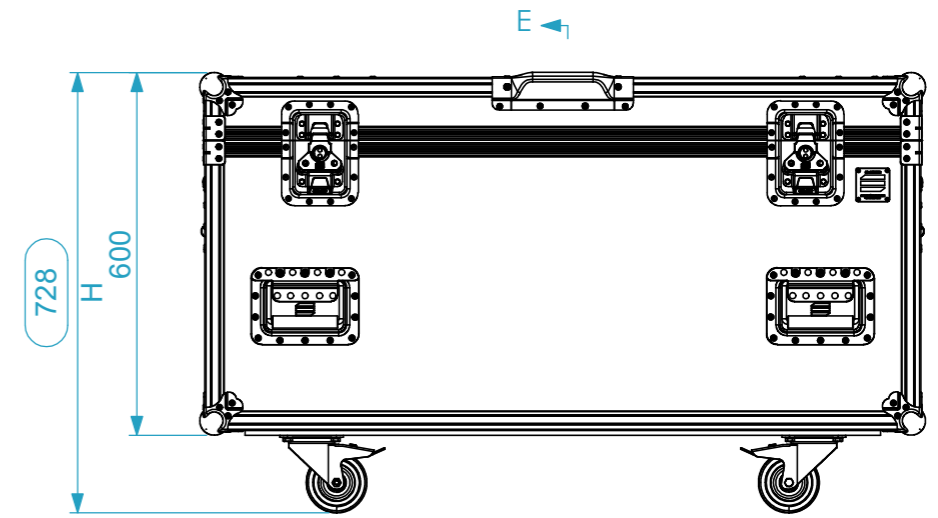
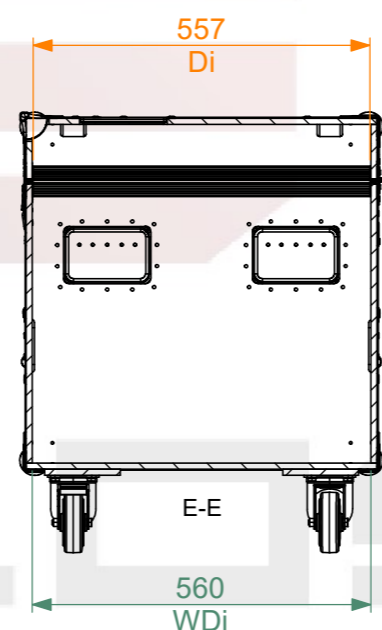
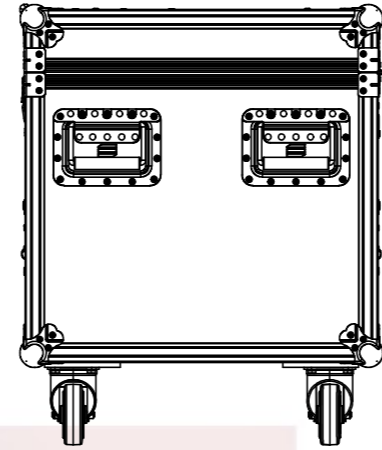
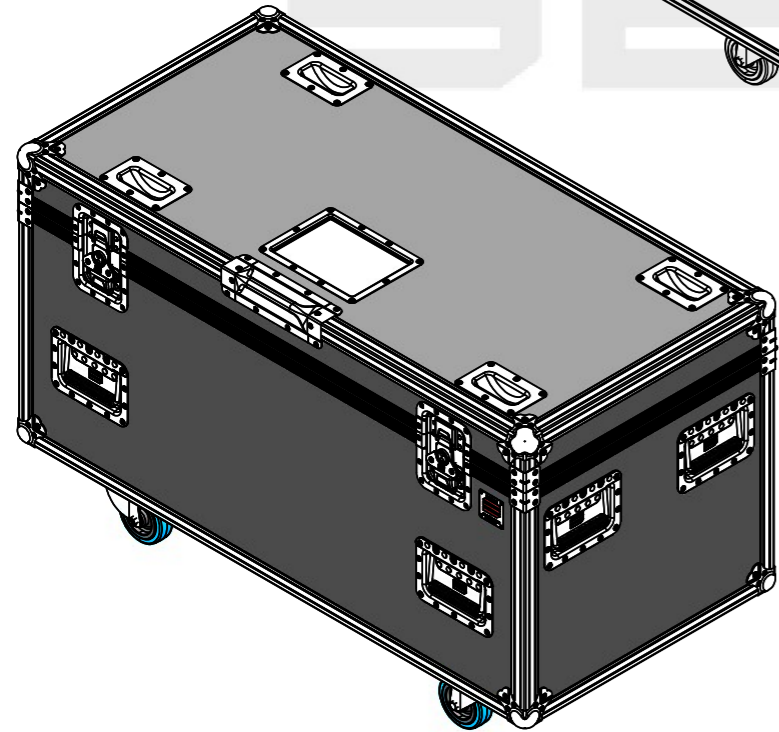
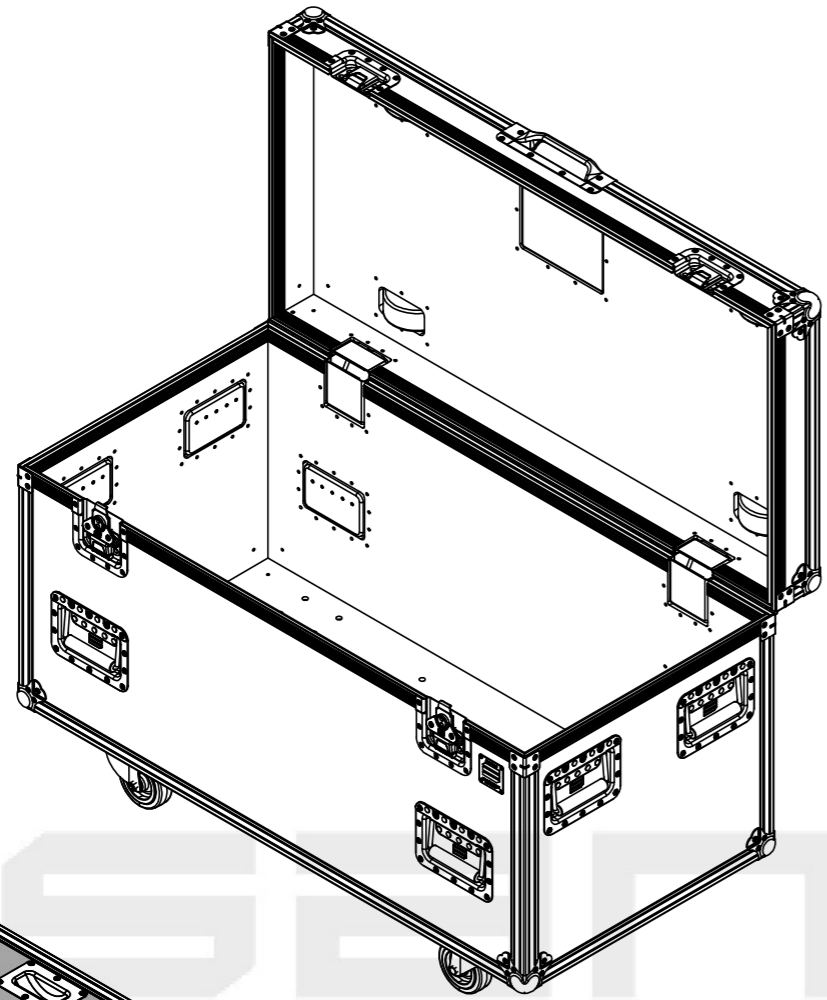


Internal Dimensions		
Width	Depth	Height
1156	556	556
Weight	Approx. 43 Kg	
Wall Thickness	10mm	



General External Dimensions		Usable Inner Dimensions		Wood Inner Dimensions	
W	Width	Wi	Inside Width	WWi	Wood Inside Width
D	Depth	Di	Inside Depth	WDi	Wood Inside Depth
H	Height	Hi	Inside Height	WHi	Wood Inside Height

This drawing must not be copied or disclosed without consent of the owner

Drawn by	Name	Date
jose.couto	jose.couto	29/09/2023
Reference	X2AAR.1206060RF	
Scale	units in mm	general tolerance
1:12.5	DO NOT SCALE	0.8mm
Trunk X2 Reforçado 120.60.60 (116x56x56 WID)		

