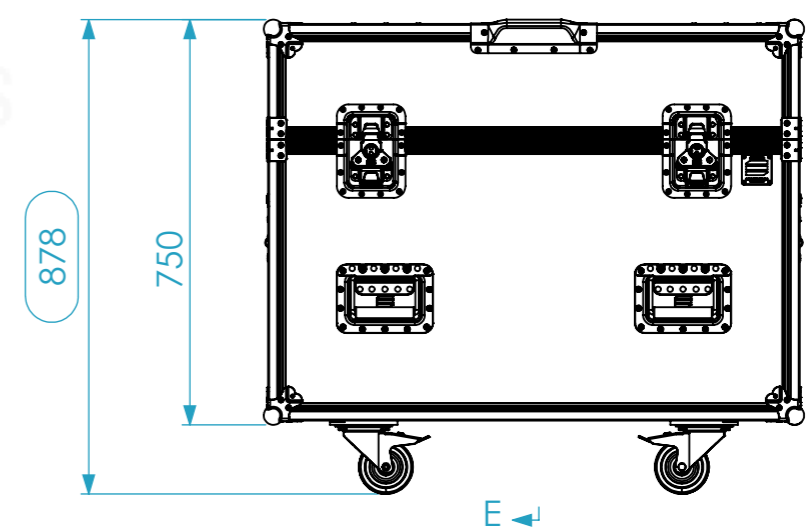
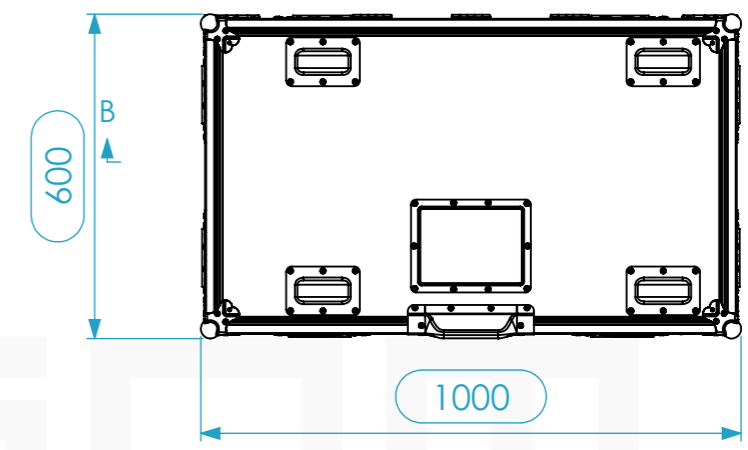
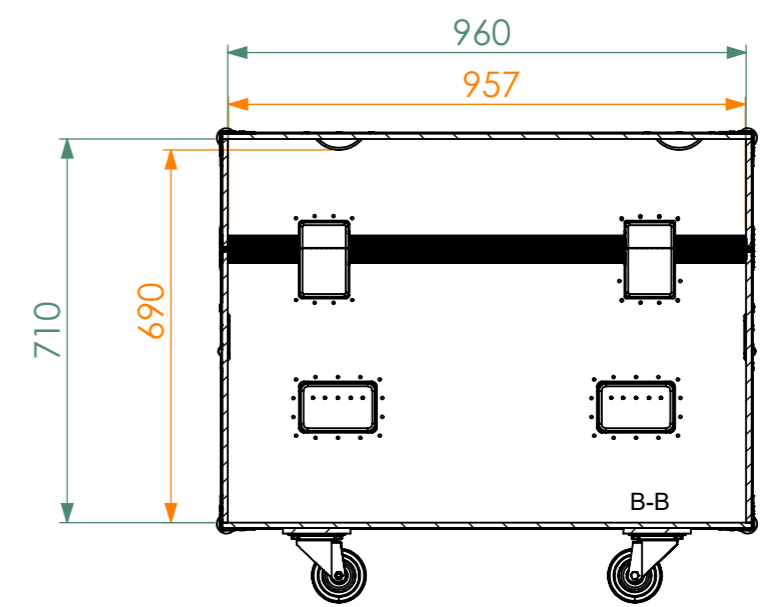
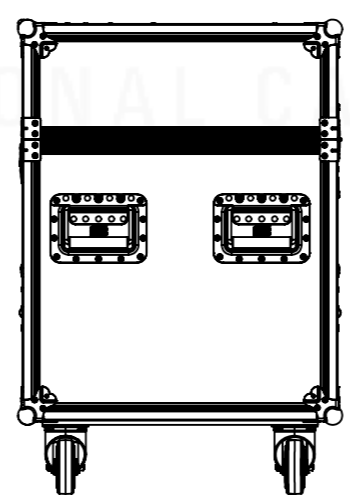
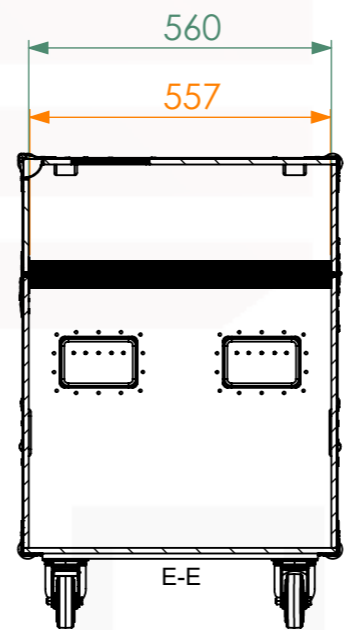
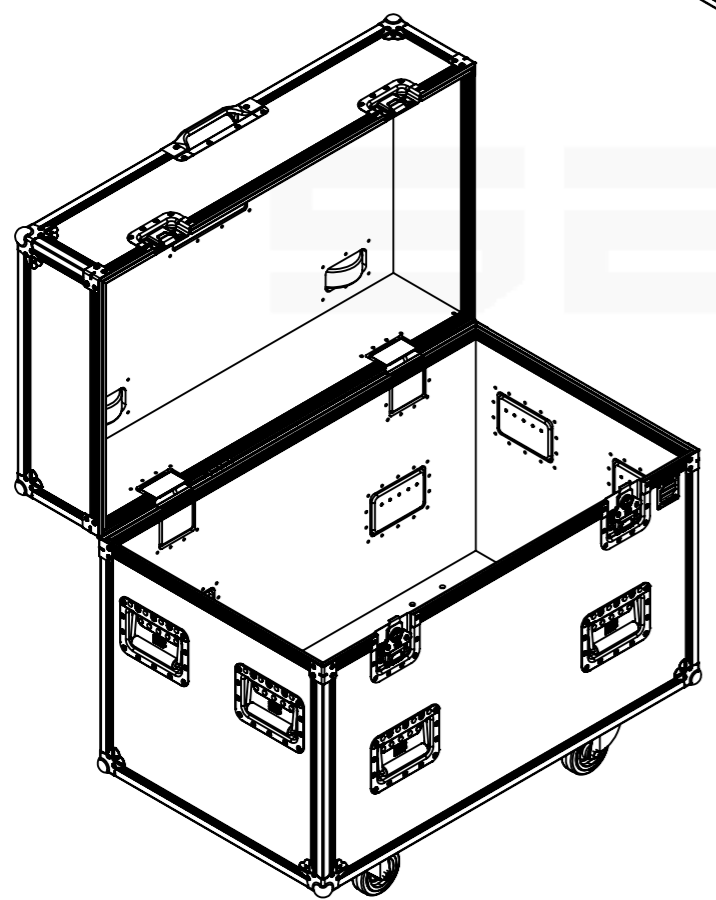
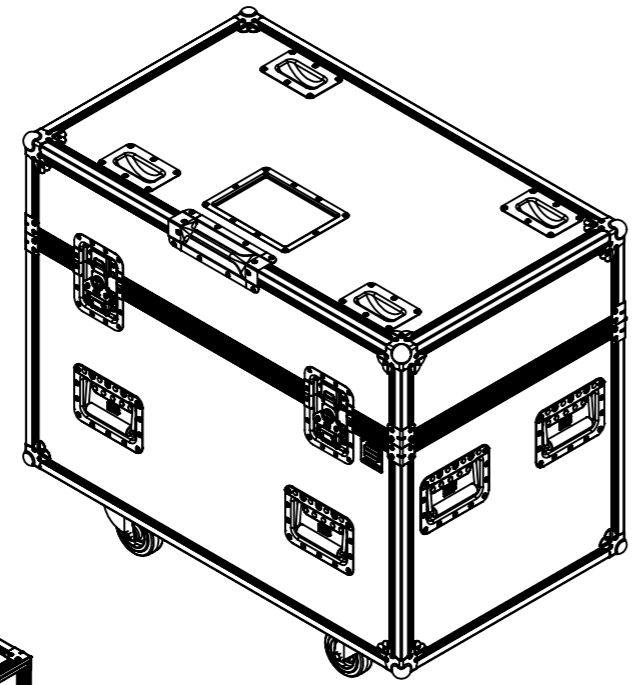


Internal Dimensions		
Width	Depth	Height
956	556	710
Weight	Approx. 42 Kg	
Wall Thickness	10mm	



General External Dimensions		Usable Inner Dimensions		Wood Inner Dimensions	
W	Width	Wi	Inside Width	WWi	Wood Inside Width
D	Depth	Di	Inside Depth	WDi	Wood Inside Depth
H	Height	Hi	Inside Height	WHi	Wood Inside Height

A3 This drawing must not be copied or disclosed without consent of the owner

Drawn by	projects	Name	projects	Date	29/11/2021
Reference	X2AAR.1006075R2				
Scale	1:14	units in mm	DO NOT SCALE	general tolerance	0.8mm
1st Angle projection	Trunk ML X2 (96x56x71 WID)				

