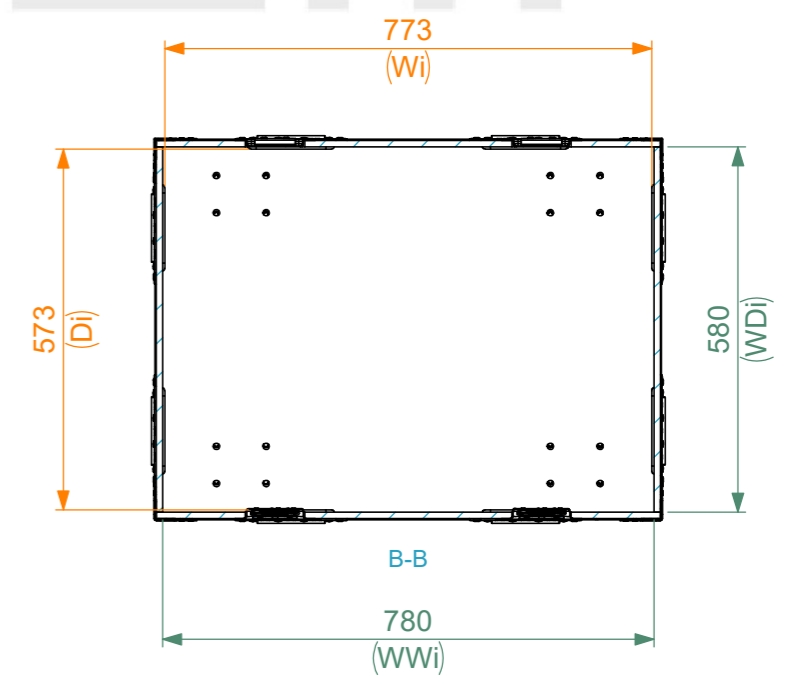
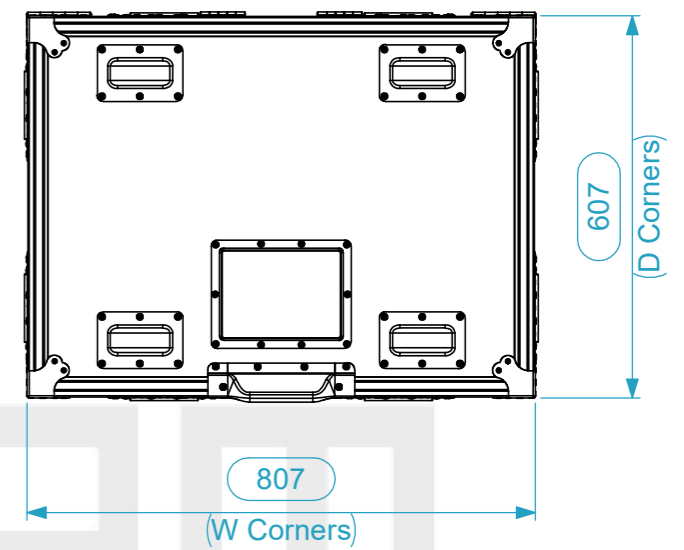
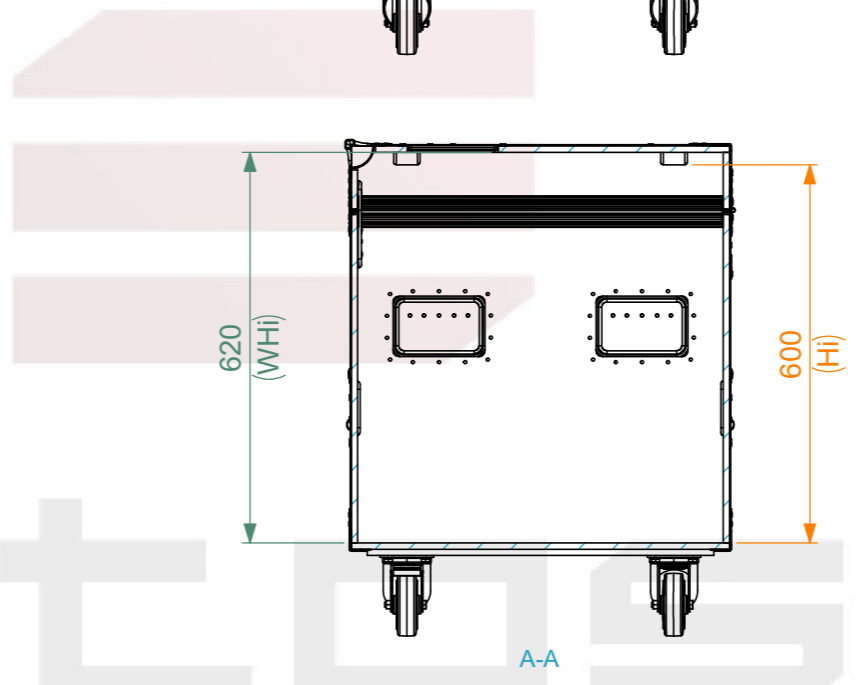
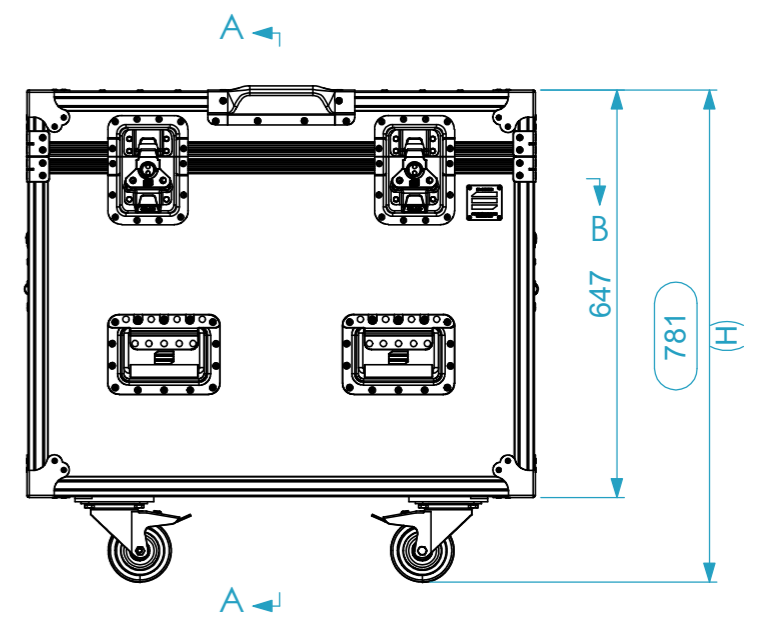
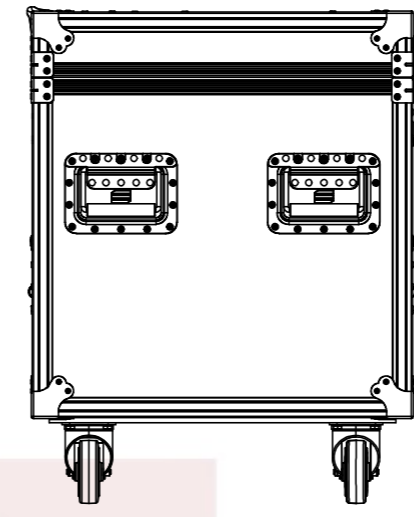
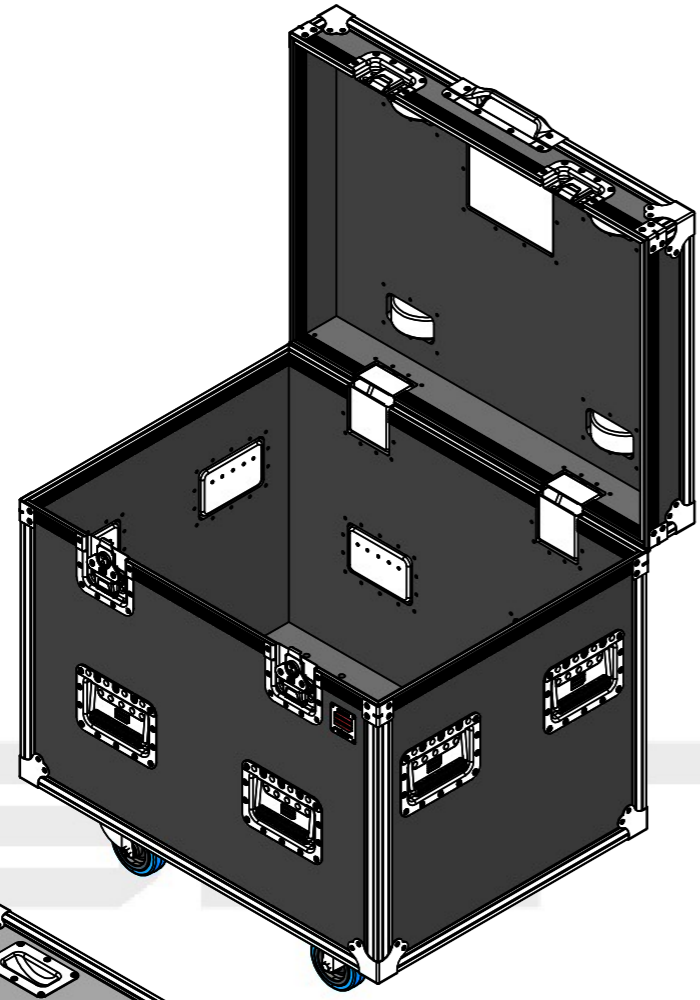


Internal Dimensions		
Width	Depth	Height
773	573	600
Weight	Approx. 37 Kg	
Wall Thickness	10mm	



PROFESSIONAL CASES

General External Dimensions		Usable Inner Dimensions		Wood Inner Dimensions	
W	Width	Wi	Inside Width	WWi	Wood Inside Width
D	Depth	Di	Inside Depth	WDi	Wood Inside Depth
H	Height	Hi	Inside Height	WHi	Wood Inside Height

This drawing must not be copied or disclosed without consent of the owner

Name	Date
projects	11/04/2024
Reference	X2AAR.0806470N2
Scale	1:12
units in mm	general tolerance 0.8mm
DO NOT SCALE	
1st Angle projection	Molbo X2 PRO, Flat Corners 776x616x676 Inner Dim.



A3