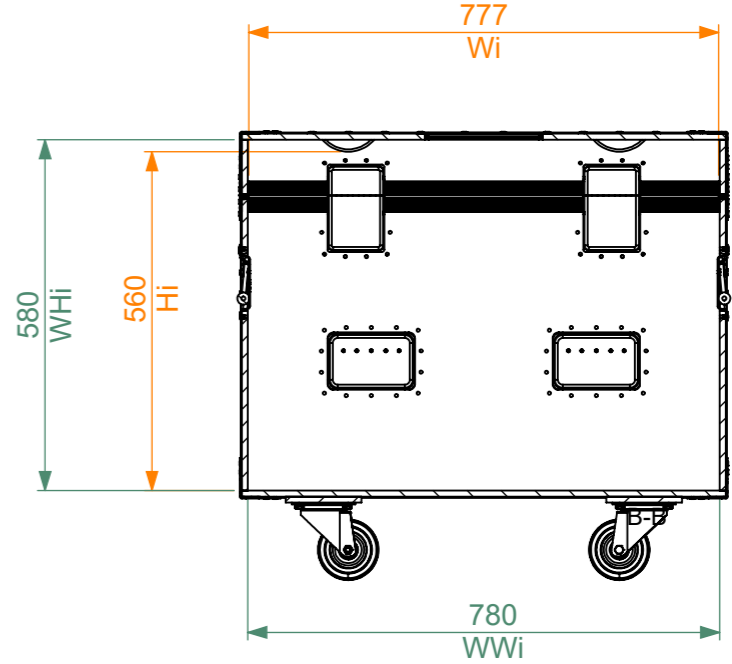
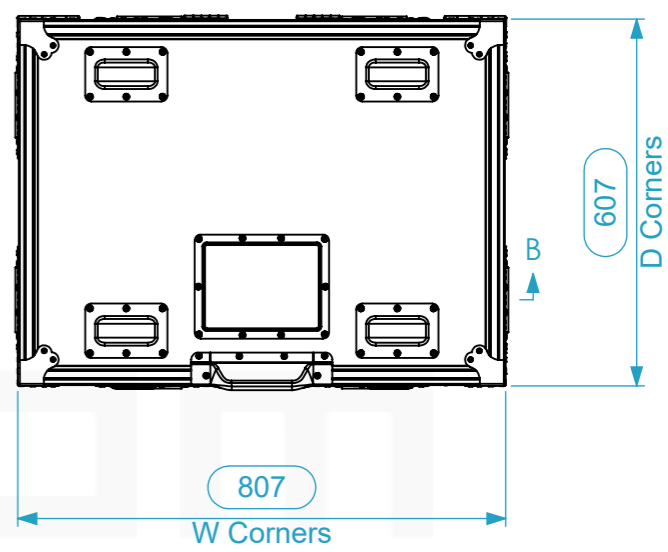
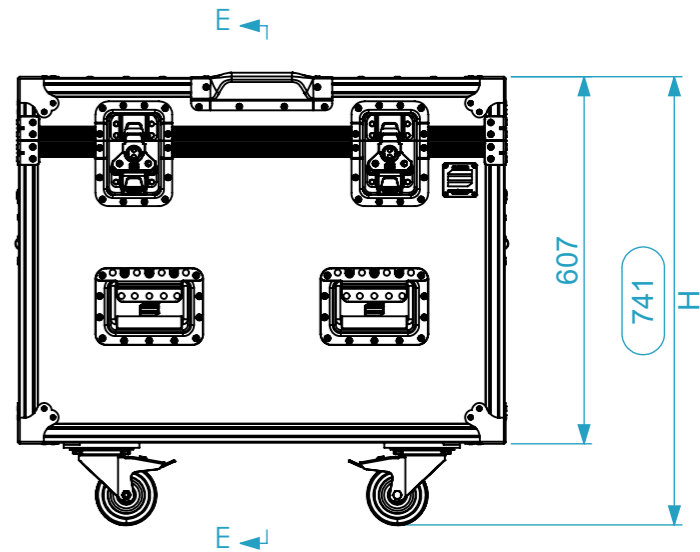
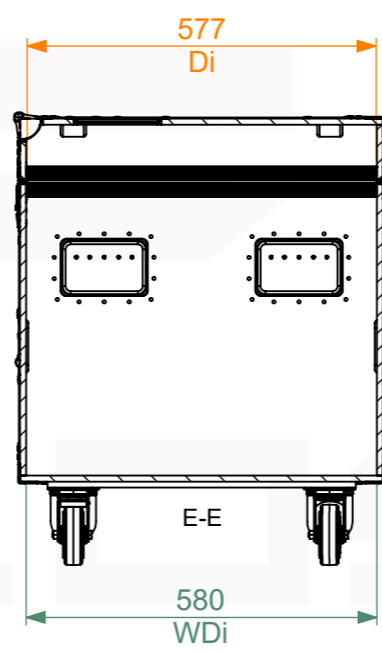
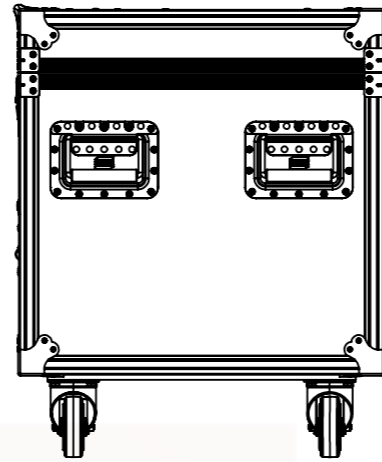
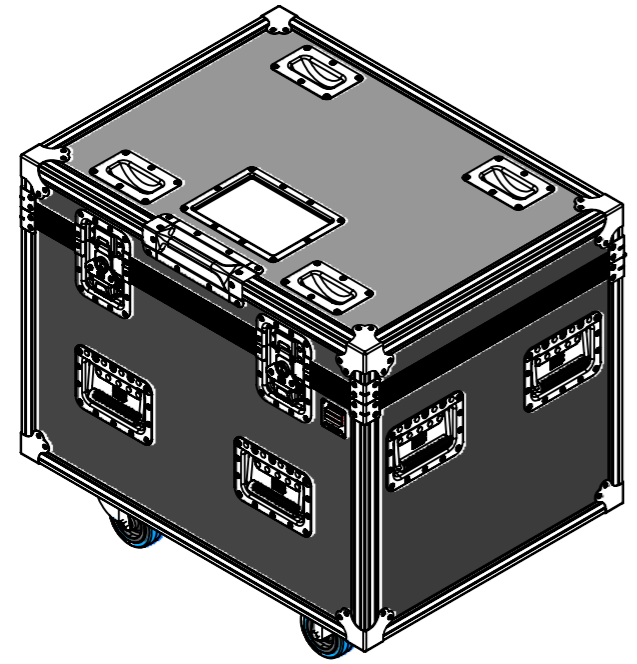
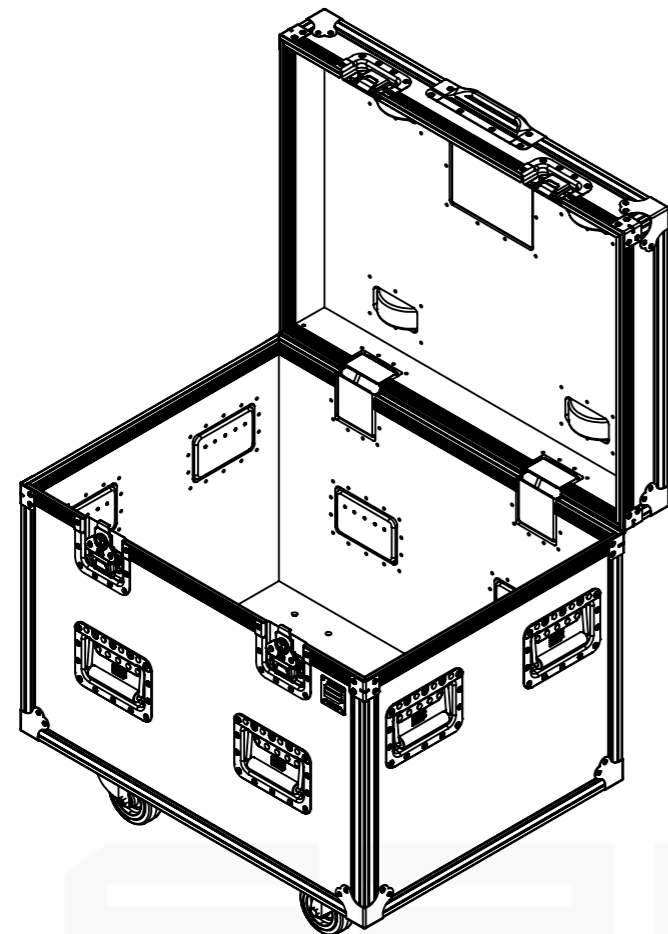


Internal Dimensions		
Width	Depth	Height
776	576	576
Weight	Approx. 36 Kg	
Wall Thickness	10mm	



General External Dimensions		Usable Inner Dimensions		Wood Inner Dimensions	
W	Width	Wi	Inside Width	WWi	Wood Inside Width
D	Depth	Di	Inside Depth	WDi	Wood Inside Depth
H	Height	Hi	Inside Height	WHi	Wood Inside Height

Name	Date
Drawn by projects	27/07/2021
Reference	X2AAR.0806060N2
Scale	1:12.5
units in mm	general tolerance 0.8mm
DO NOT SCALE	
1st Angle projection	
MalBo X2 PRO, Flat Corners 776x576x576 Inner Dim.	



A3 This drawing must not be copied or disclosed without consent of the owner