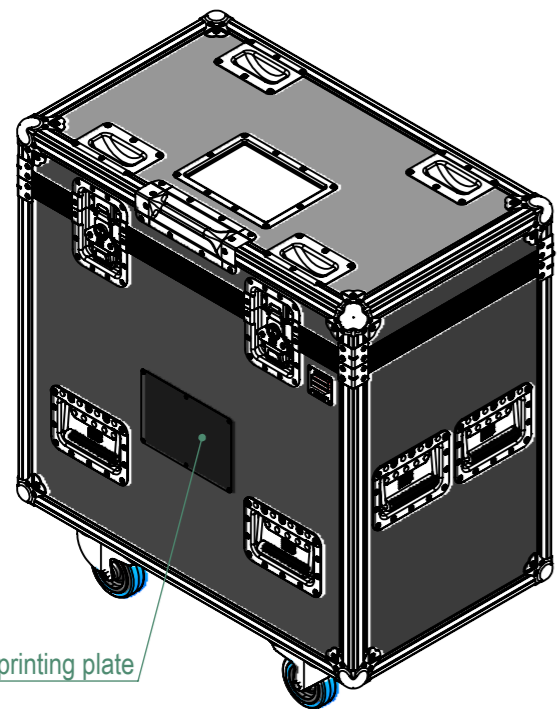
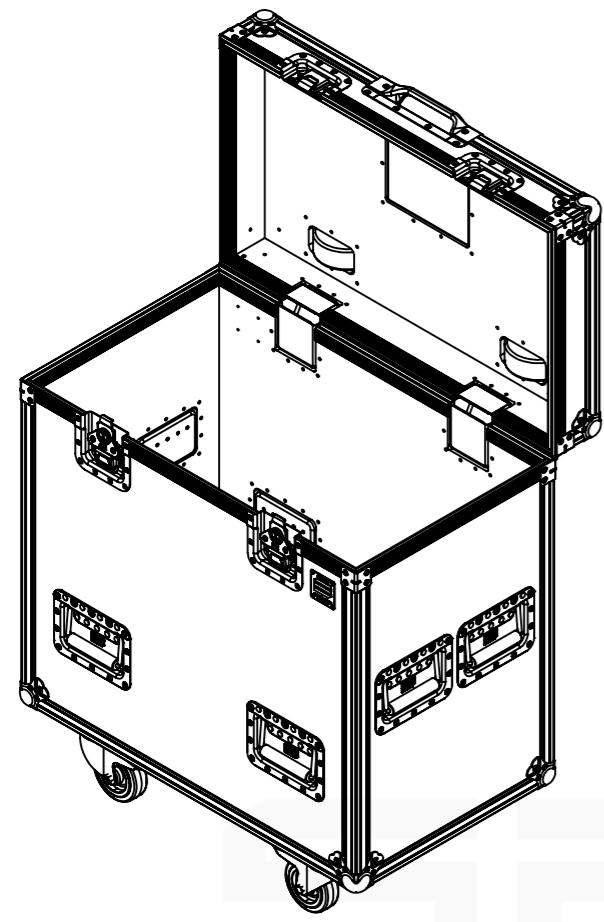
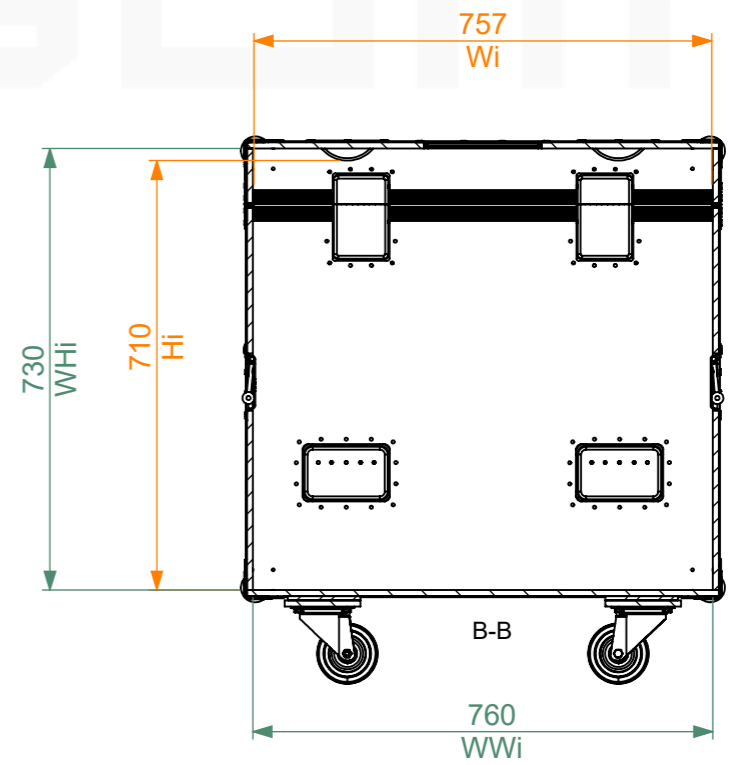
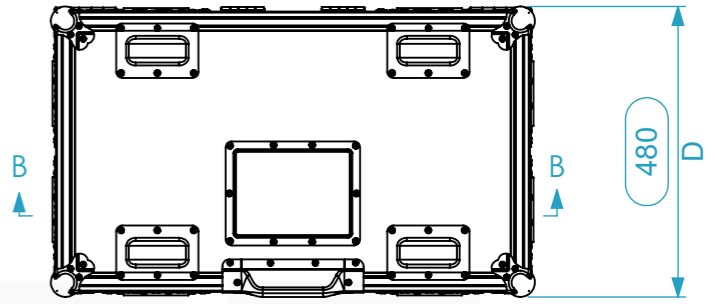
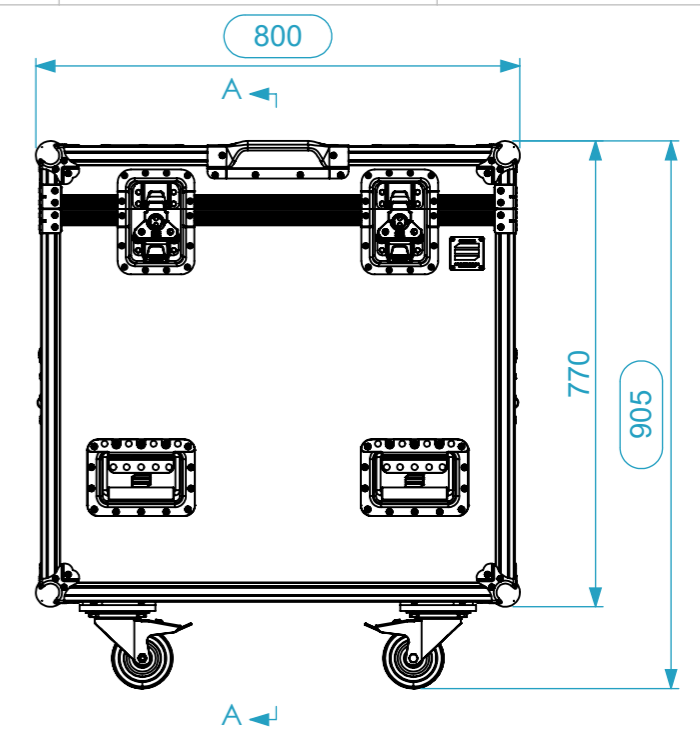
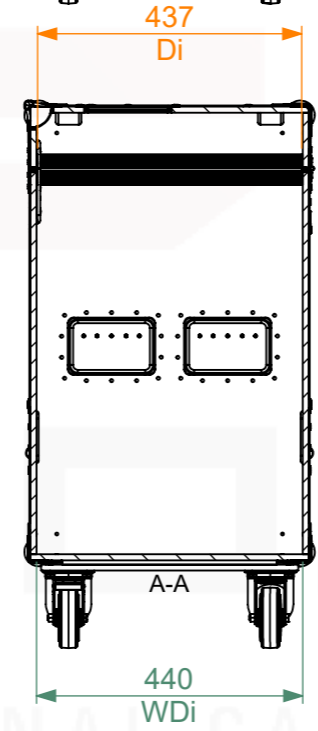
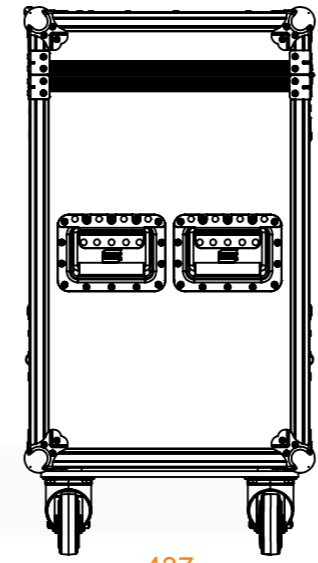


Internal Dimensions		
Width	Depth	Height
756	436	726
Weight	Approx. 36 Kg	
Wall Thickness	10mm	



Optional printing plate



General External Dimensions		Usable Inner Dimensions		Wood Inner Dimensions	
W	Width	Wi	Inside Width	WWi	Wood Inside Width
D	Depth	Di	Inside Depth	WDi	Wood Inside Depth
H	Height	Hi	Inside Height	WHi	Wood Inside Height

This drawing must not be copied or disclosed without consent of the owner

Drawn by	Name	Date
CarlaSilva	CarlaSilva	09/10/2024
Reference	X2AAR.0804877	
Scale	units in mm	general tolerance
1:12.5	DO NOT SCALE	0.8mm
1st Angle projection	Malão PRO, X2 80.48.70 (760x440x730)	



A3