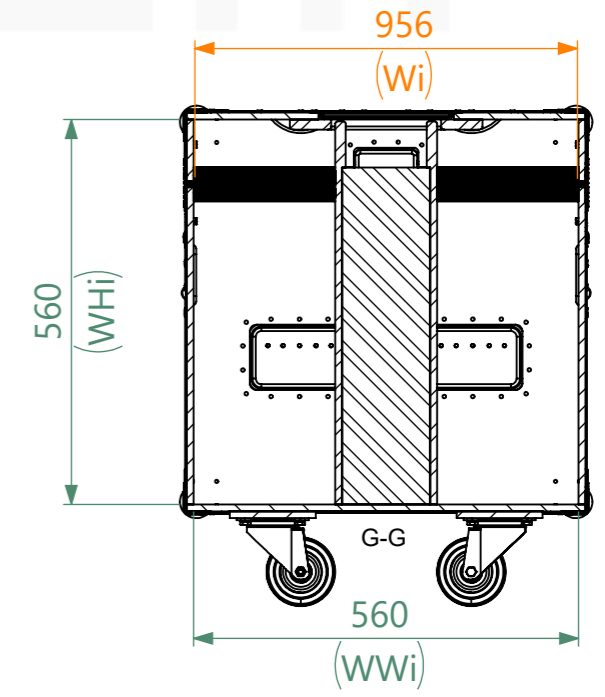
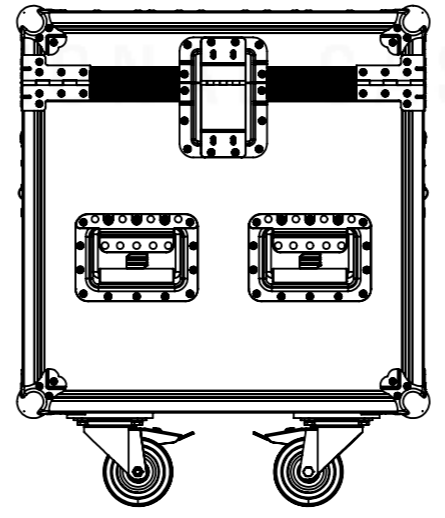
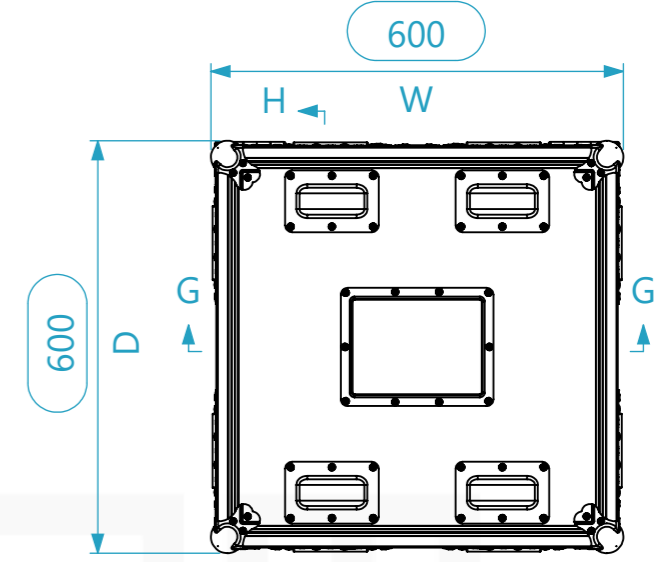
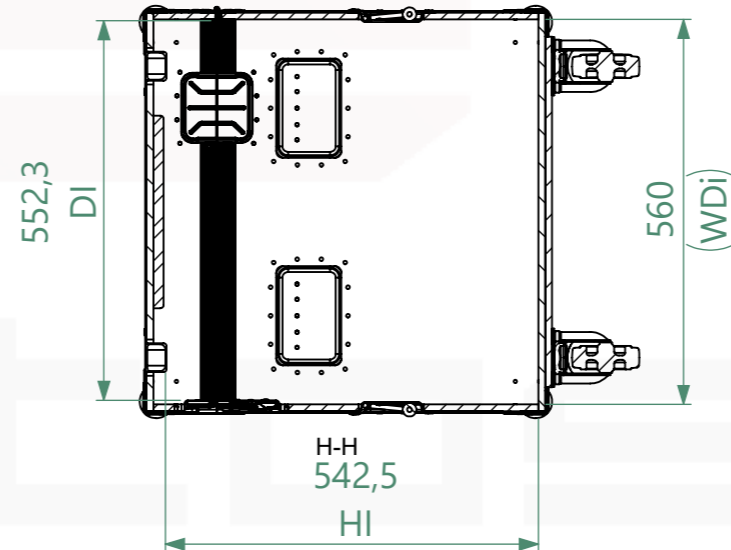
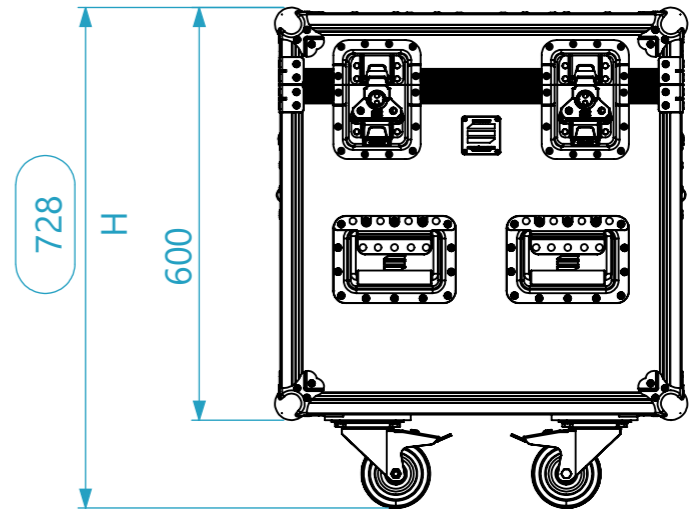
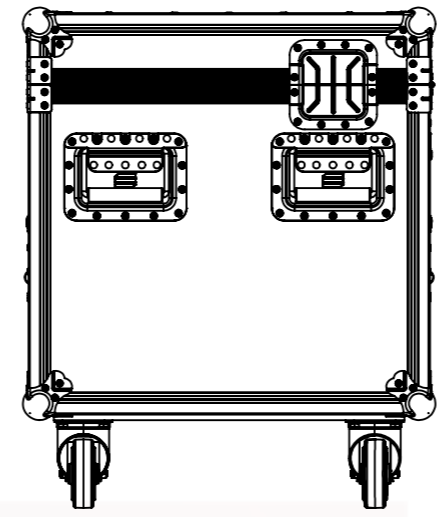
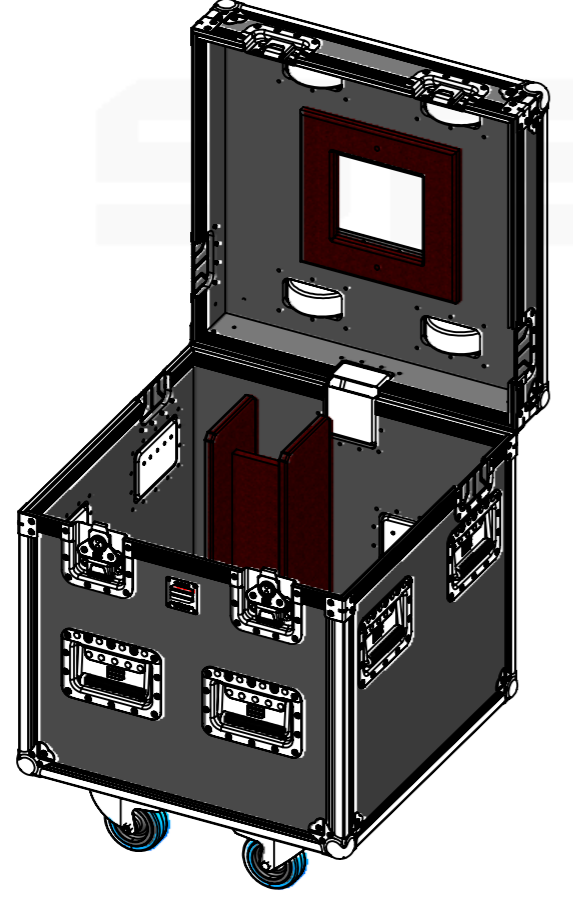
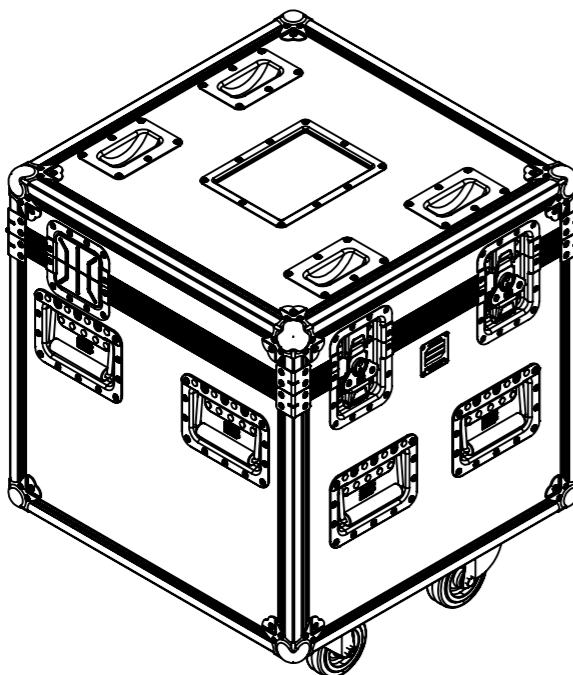


Internal Dimensions		
Width	Depth	Height
556	556	556
Weight	Approx. 31 Kg	
Wall Thickness	10mm	



General External Dimensions		Usable Inner Dimensions		Wood Inner Dimensions	
W	Width	Wi	Inside Width	WWi	Wood Inside Width
D	Depth	Di	Inside Depth	WDi	Wood Inside Depth
H	Height	Hi	Inside Height	WHi	Wood Inside Height

This drawing must not be copied or disclosed without consent of the owner

Name	Date
CarlaSilva	22/11/2023
Reference	X2AAR.0606060.MP
Scale	1:1
units in mm	general tolerance 0,8mm
DO NOT SCALE	
1st Angle projection	Trunk Multicore 60

