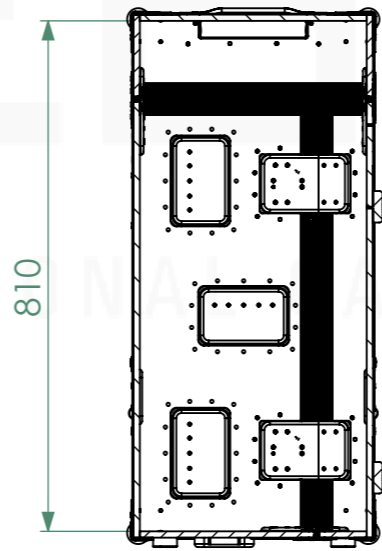
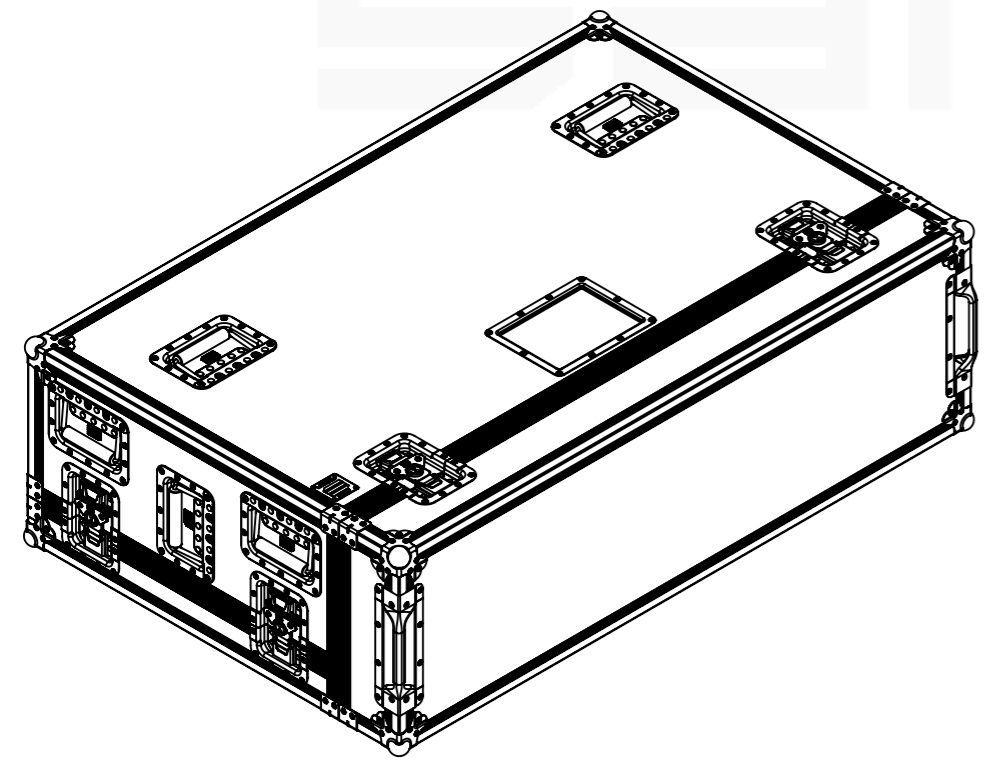
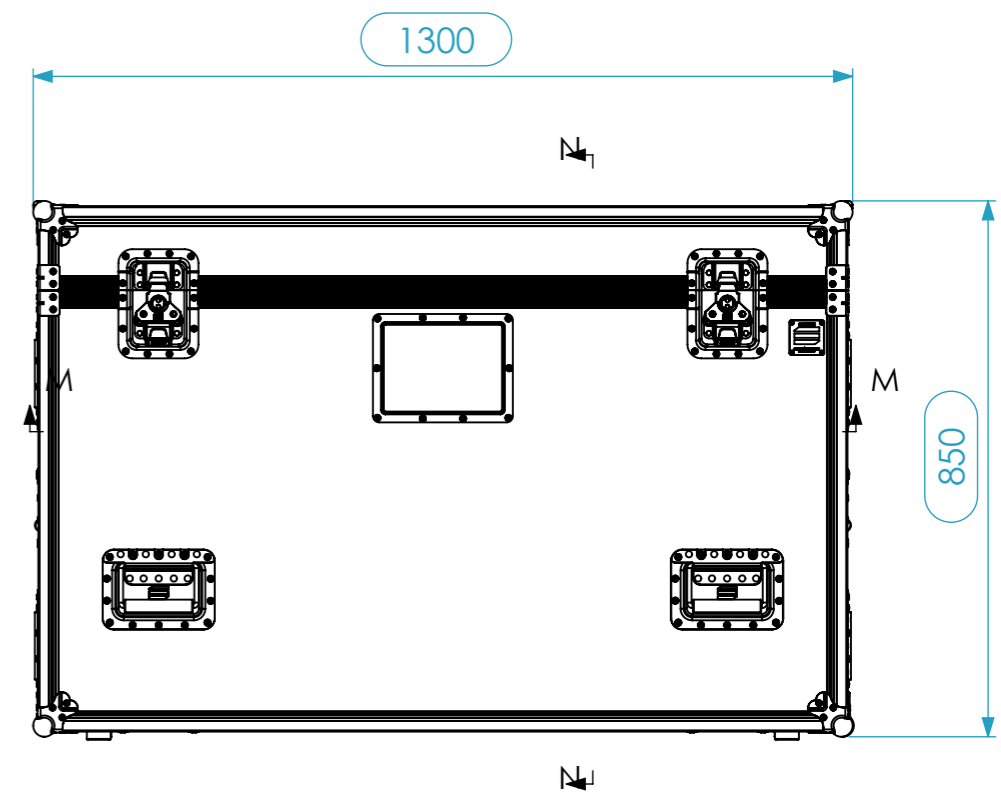
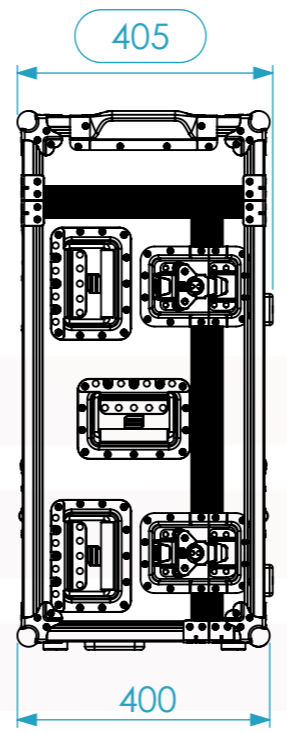
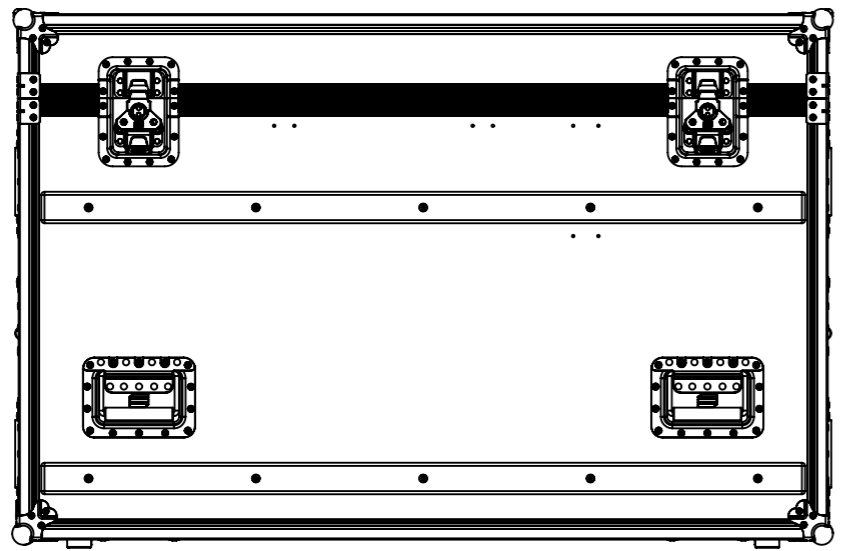
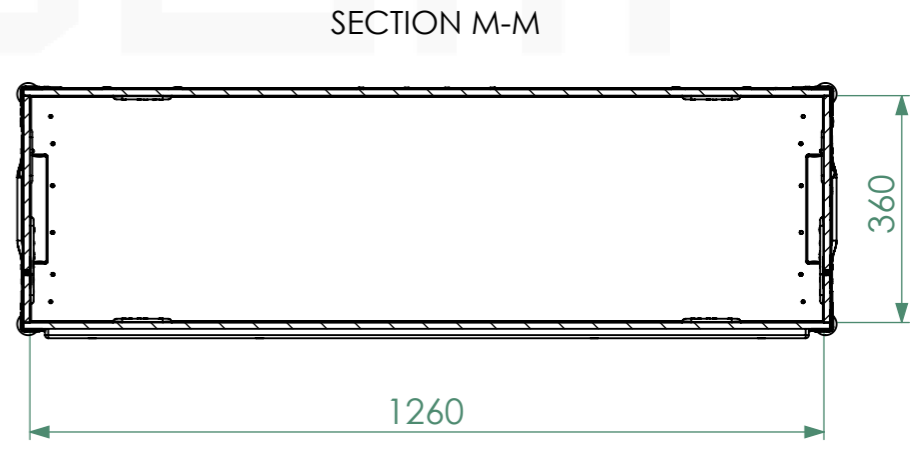


Internal Dimensions		
Width	Depth	Height
1256	810	360
Weight	Approx. 46 Kg	
Wall Thickness		10mm



SECTION N-N



SECTION M-M

Drawn by	Name	Date
CarlaSilva	CarlaSilva	03/12/2019
Reference	X23M.1308540	
Scale	units in mm	general tolerance
1:12	DO NOT SCALE	0.8mm
FC X23M, 1256X806X360 mm		



This drawing must not be copied or disclosed without consent of the owner



A3