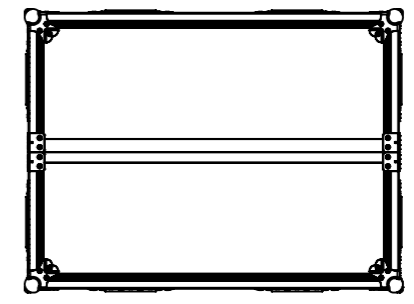
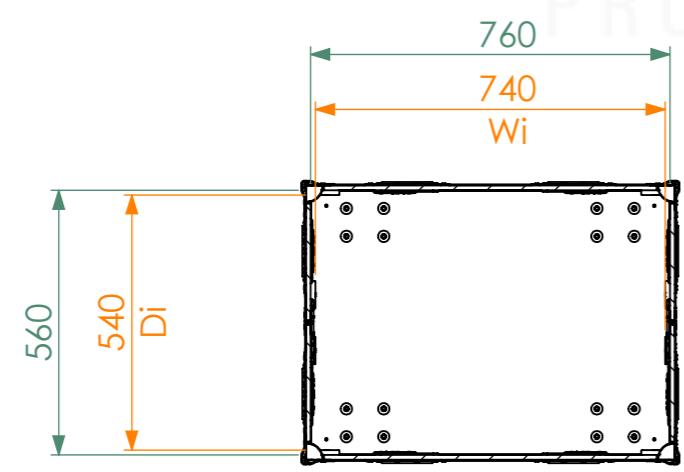
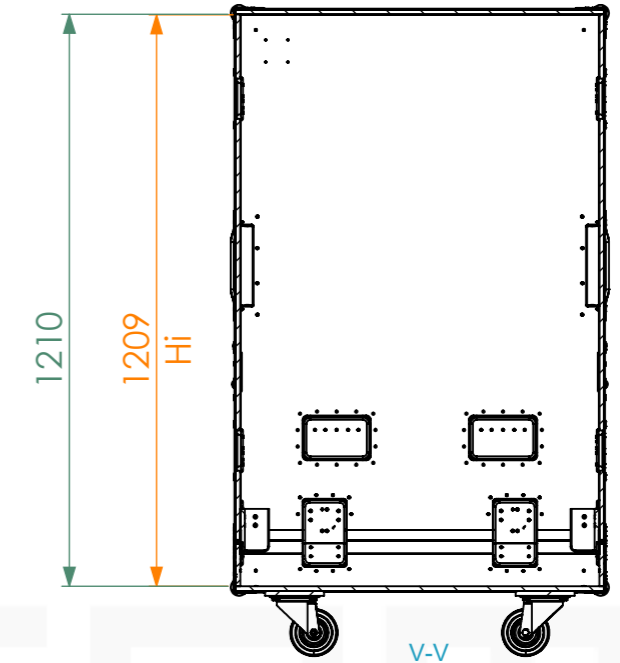
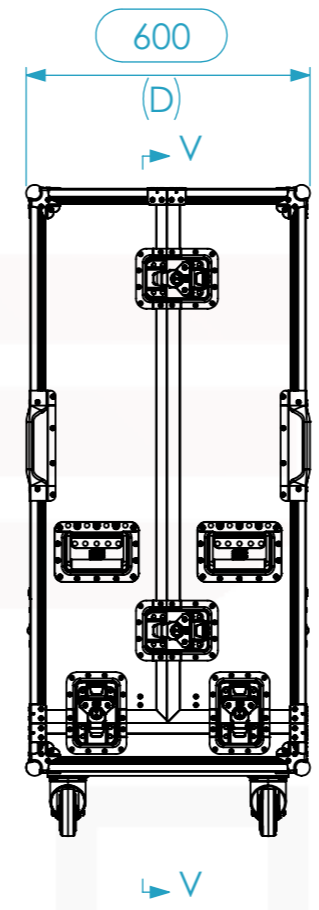
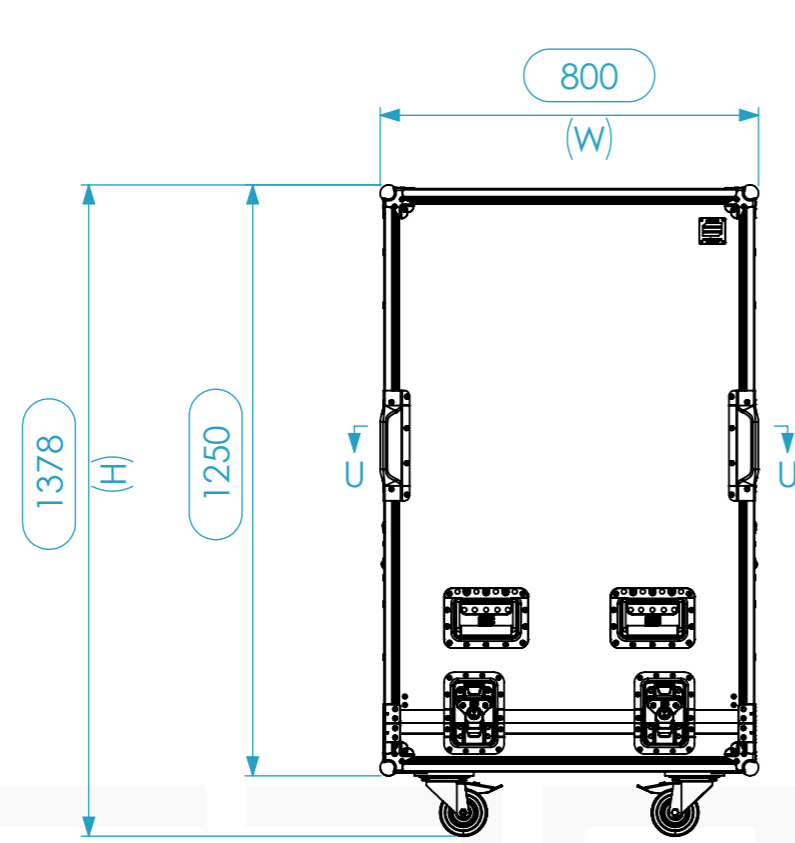


Internal Dimensions		
Width	Depth	Height
740	540	1259
Weight	Approx. 43.1 Kg	
Wall Thickness	10mm	



General External Dimensions		Usable Inner Dimensions		Wood Inner Dimensions	
W	Width	Wi	Inside Width	WWi	Wood Inside Width
D	Depth	Di	Inside Depth	WDi	Wood Inside Depth
H	Height	Hi	Inside Height	WHi	Wood Inside Height

A3 This drawing must not be copied or disclosed without consent of the owner

Drawn by	Name	Date
jose.couto	jose.couto	13/05/2023
Reference	X23BR.08060125	
Scale	units in mm	general tolerance
1:16	DO NOT SCALE	0.8mm
1st Angle projection	FC X23BR, 756x556x1209 mm	

