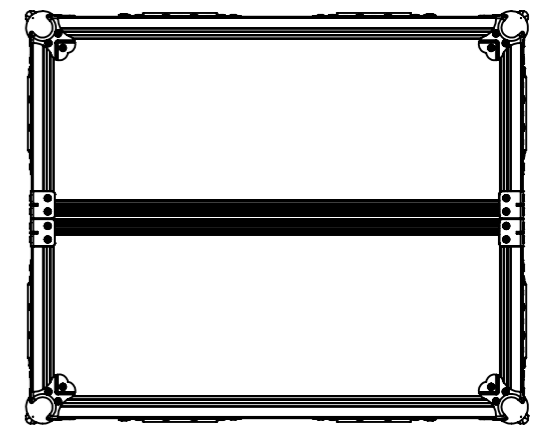
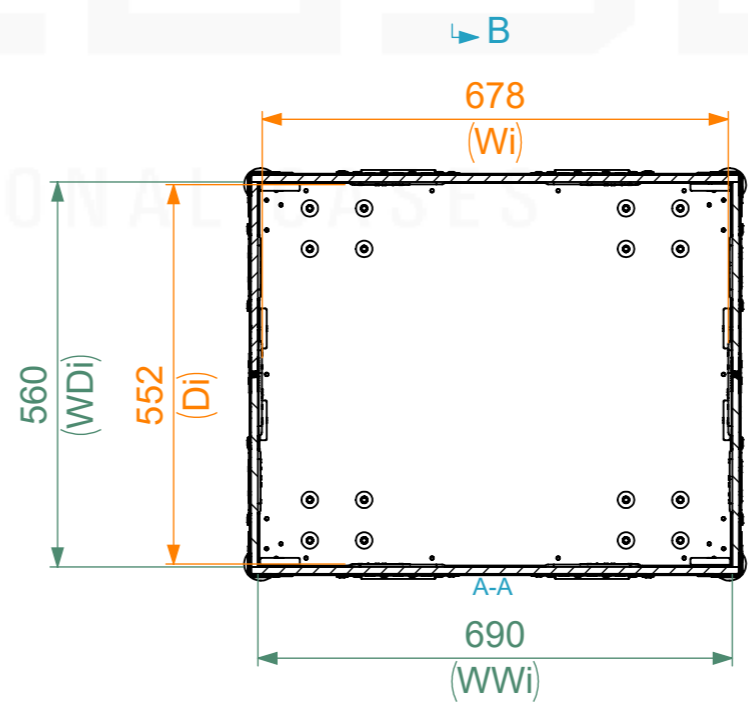
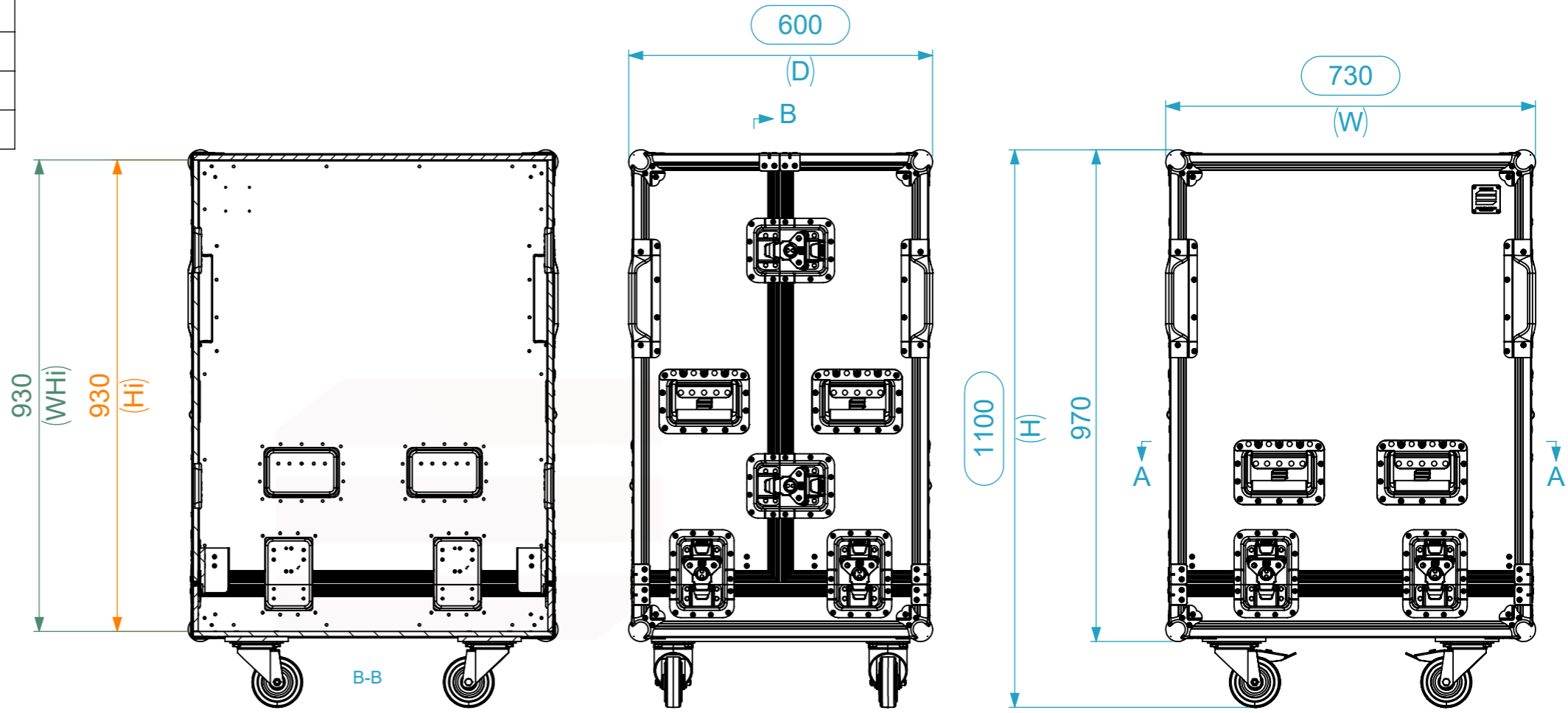
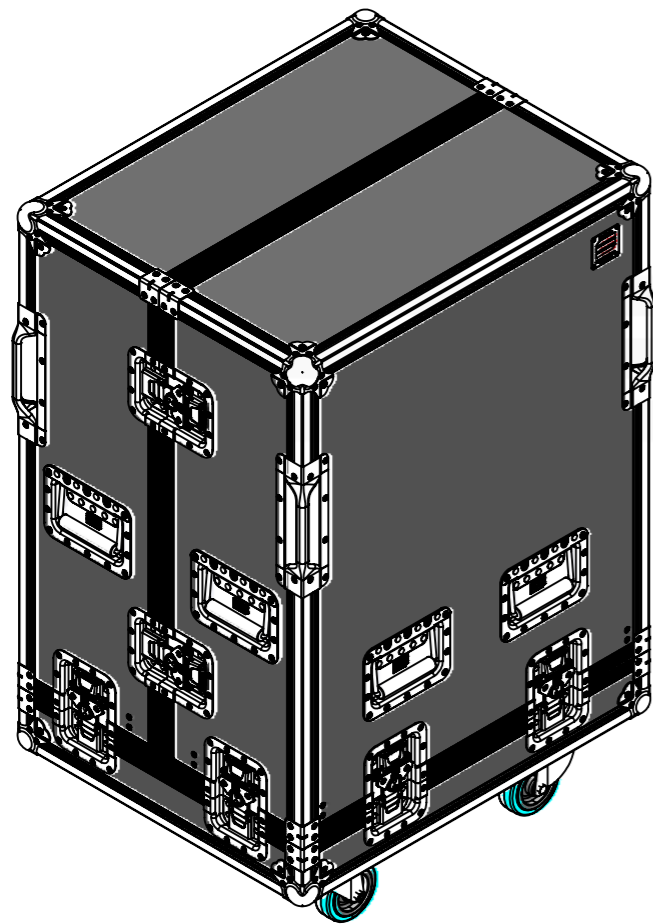


Internal Dimensions		
Width	Depth	Height
678	552	930
Weight	Approx. 38.5 Kg	
Wall Thickness		10mm



General External Dimensions		Usable Inner Dimensions		Wood Inner Dimensions	
W	Width	Wi	Inside Width	WWi	Wood Inside Width
D	Depth	Di	Inside Depth	WDi	Wood Inside Depth
H	Height	Hi	Inside Height	WHi	Wood Inside Height

A3 This drawing must not be copied or disclosed without consent of the owner

Name	Date
tiago.pais	15/05/2026
Reference	X23BR.0736097
Scale	1:1
units in mm	general tolerance 0.8mm
DO NOT SCALE	
FC X23BR, 686x556x926mm	

