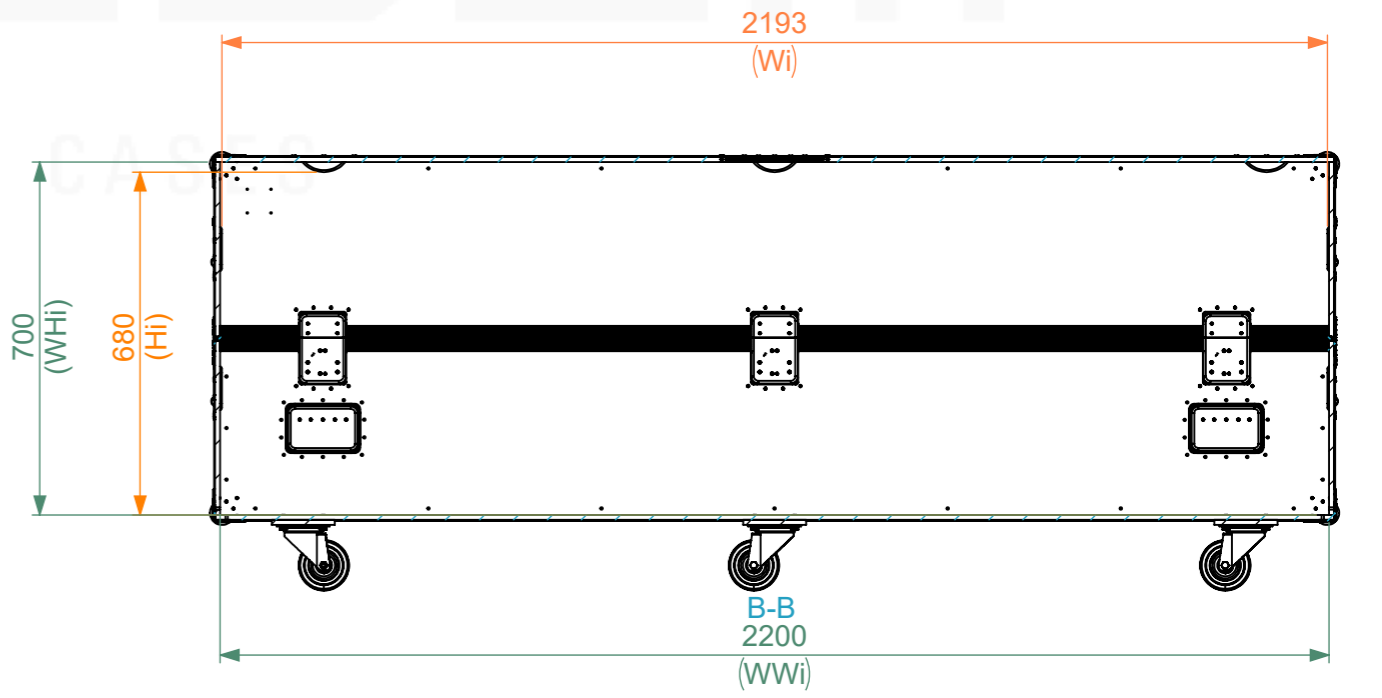
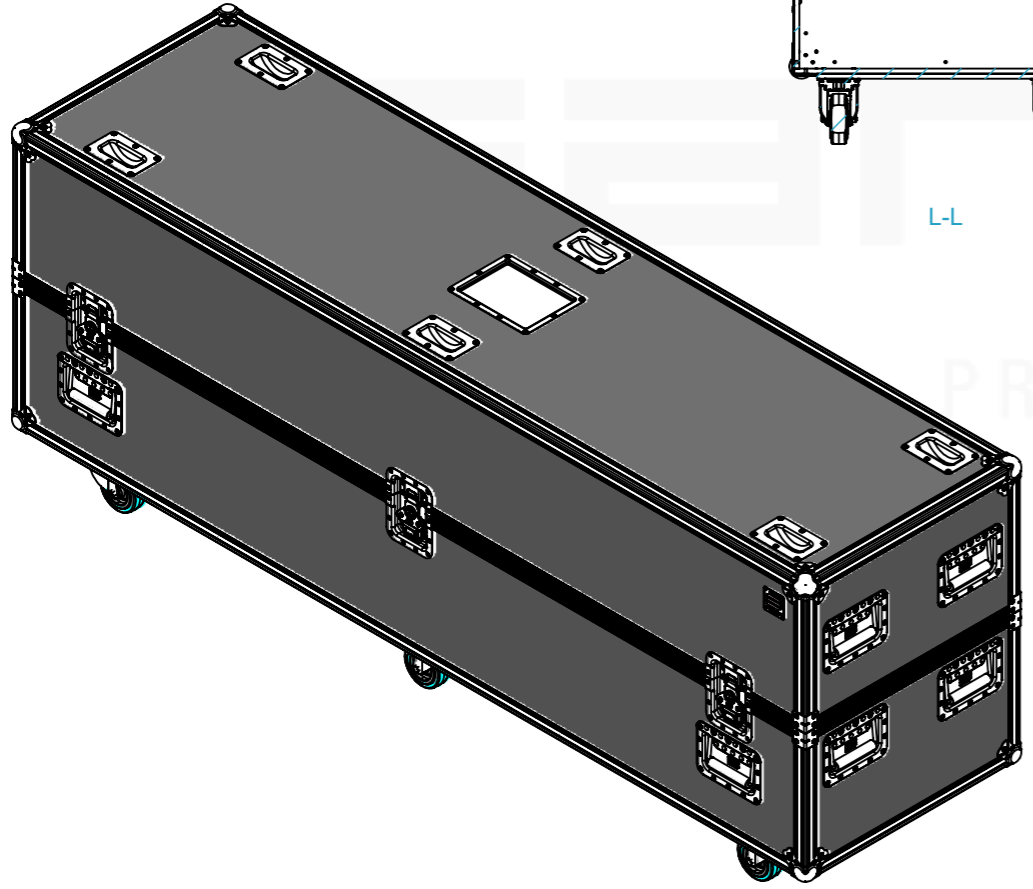
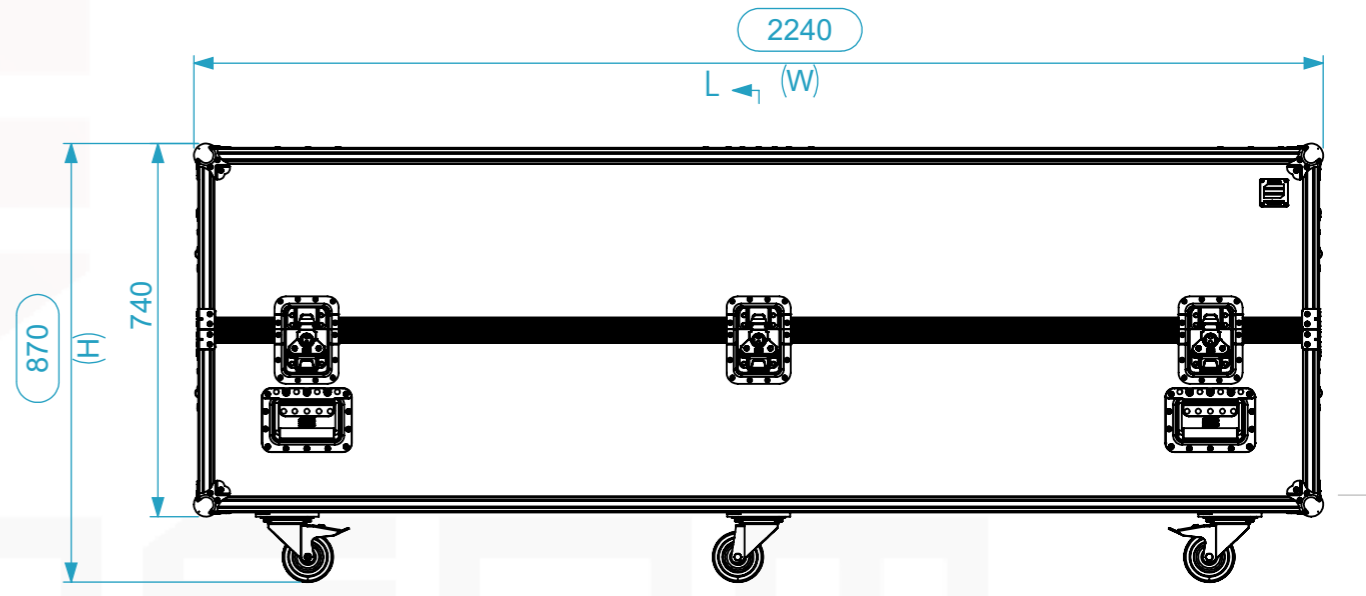
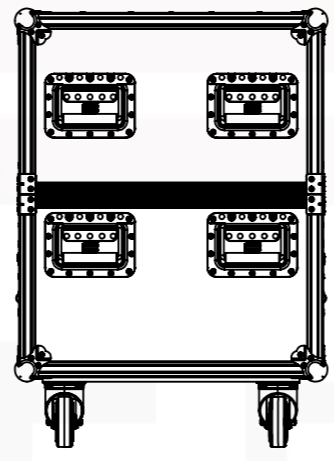
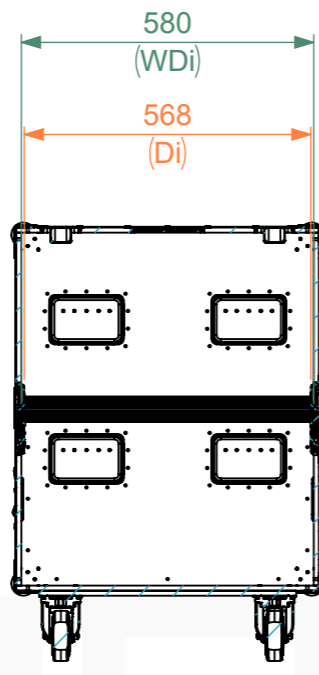
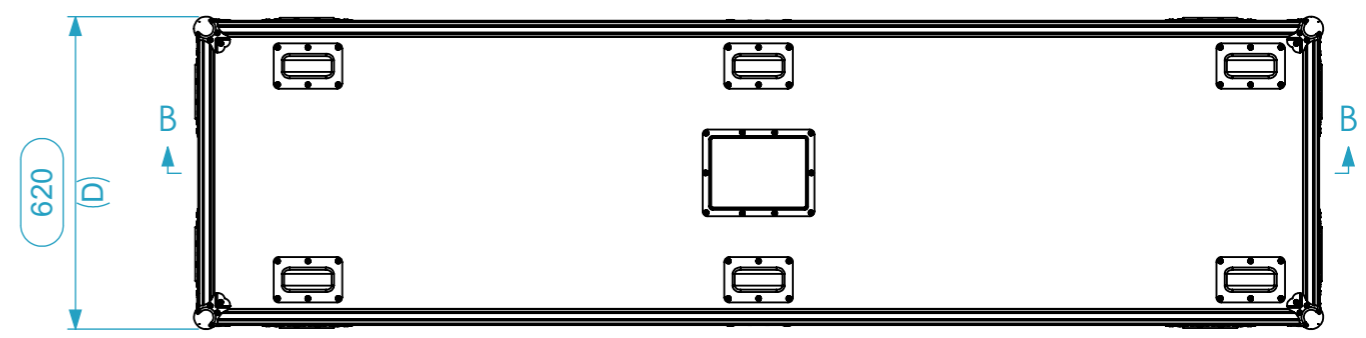


| Internal Dimensions |               |        |
|---------------------|---------------|--------|
| Width               | Depth         | Height |
| 2200                | 580           | 700    |
| Weight              | Approx. 69 Kg |        |
| Wall Thickness      |               | 10mm   |



| General External Dimensions |        | Usable Inner Dimensions |               | Wood Inner Dimensions |                    |
|-----------------------------|--------|-------------------------|---------------|-----------------------|--------------------|
| W                           | Width  | Wi                      | Inside Width  | WWi                   | Wood Inside Width  |
| D                           | Depth  | Di                      | Inside Depth  | WDi                   | Wood Inside Depth  |
| H                           | Height | Hi                      | Inside Height | WHi                   | Wood Inside Height |

|                            |                         |
|----------------------------|-------------------------|
| Name                       | Date                    |
| Drawn by: guilherme.santos | 08/06/2026              |
| Reference                  | X22DR.2246274           |
| Scale                      | 1:15                    |
| units in mm                | general tolerance 0.8mm |
| DO NOT SCALE               |                         |
| FC X22AR, 2200x580x700 ID  |                         |



A3 This drawing must not be copied or disclosed without consent of the owner

