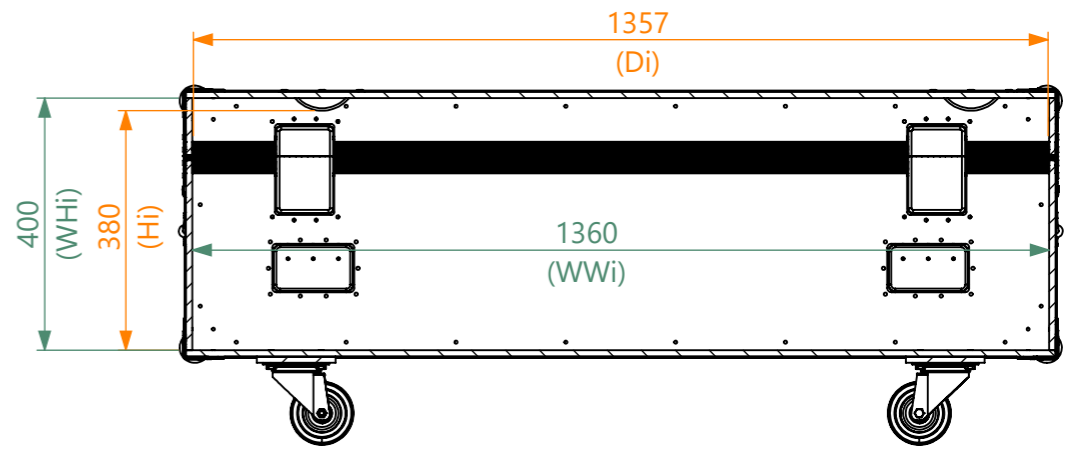
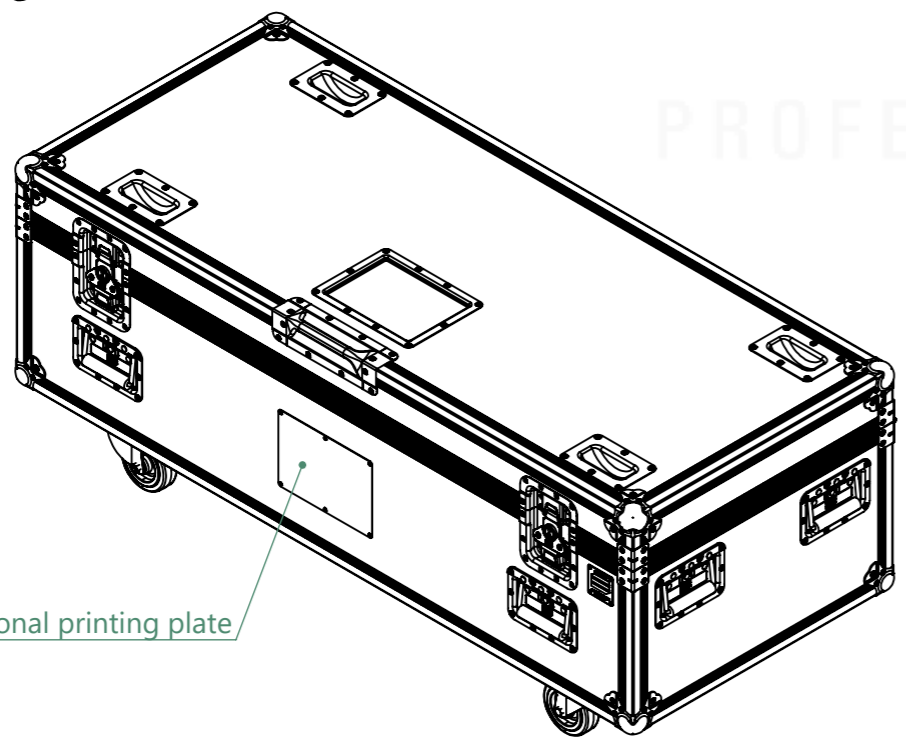
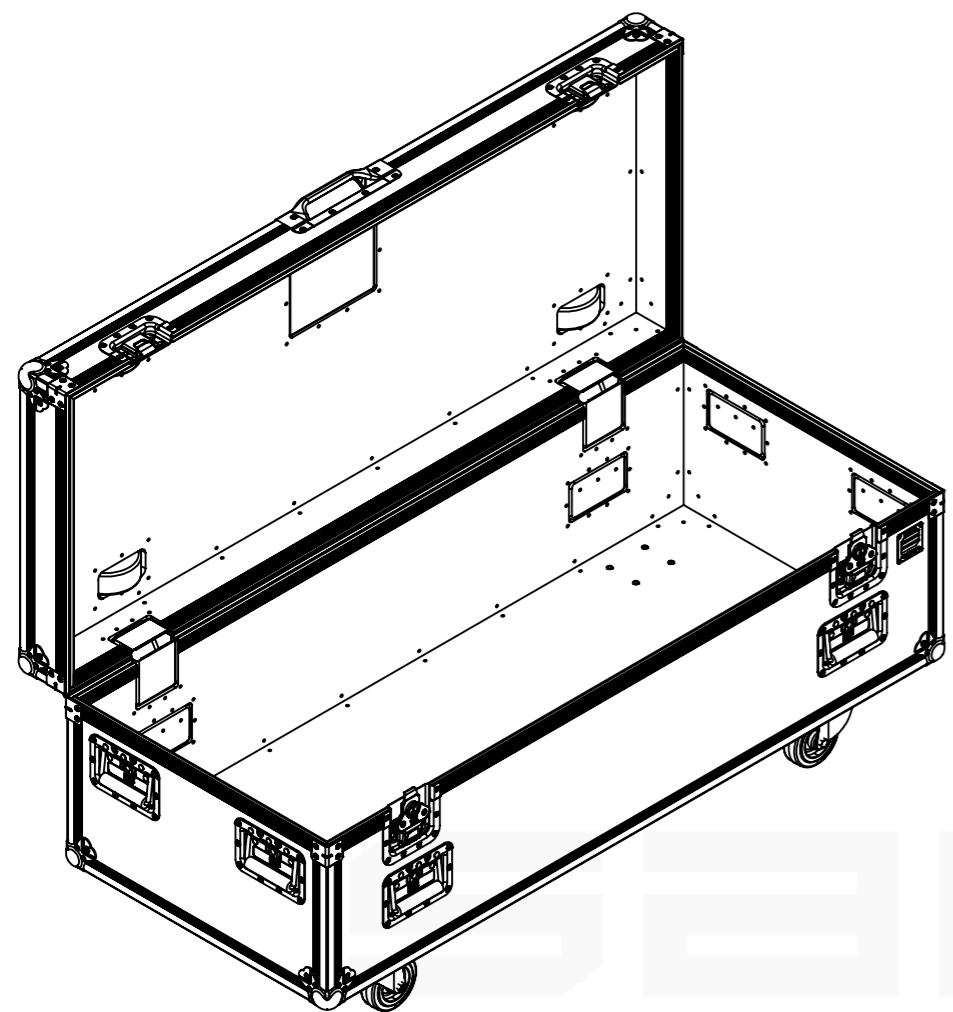
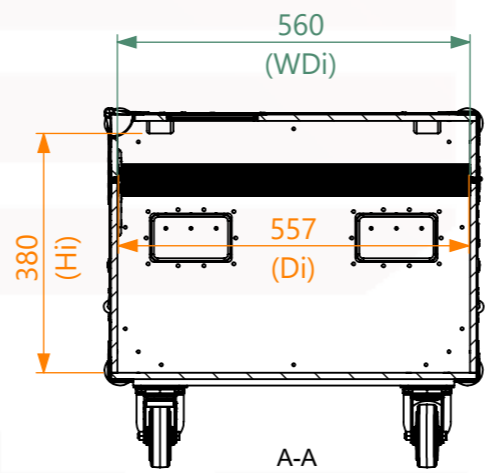


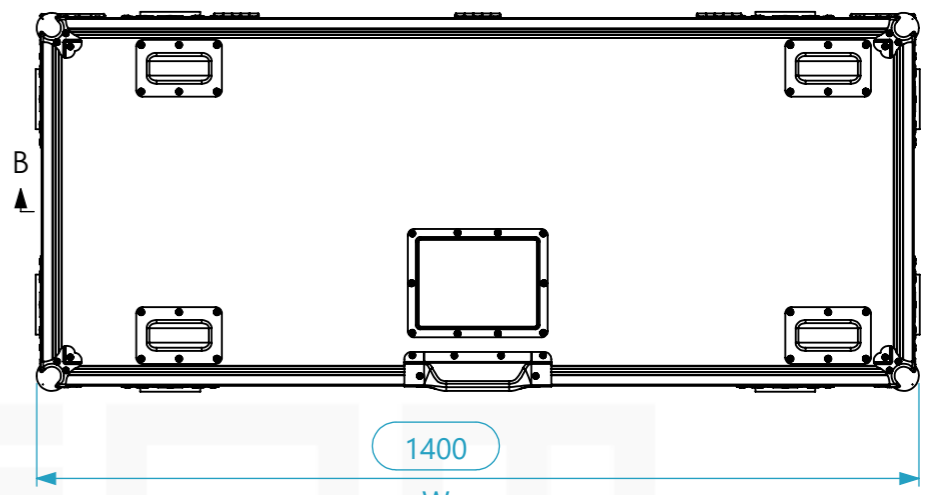
Internal Dimensions		
Width	Depth	Height
1356	556	396
Weight	Approx. 38 Kg	
Wall Thickness	10mm	



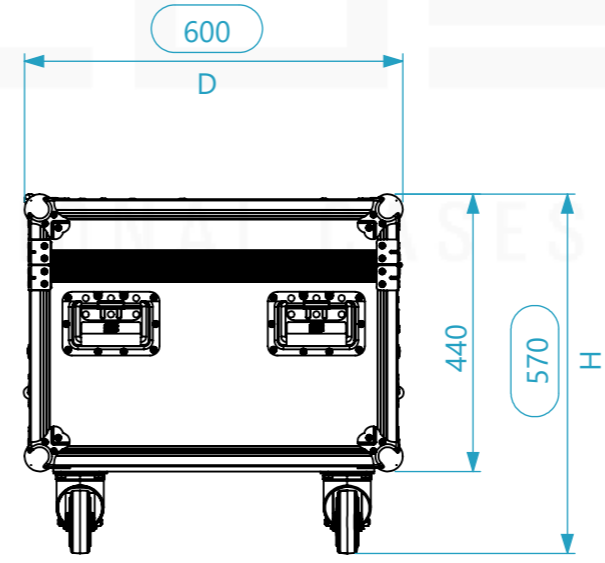
B-B



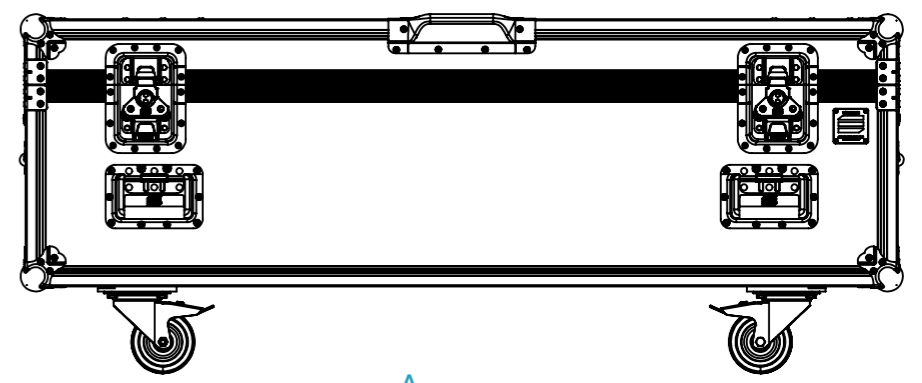
A-A



W



D



A

General External Dimensions		Usable Inner Dimensions		Wood Inner Dimensions	
W	Width	Wi	Inside Width	WWi	Wood Inside Width
D	Depth	Di	Inside Depth	WDi	Wood Inside Depth
H	Height	Hi	Inside Height	WHi	Wood Inside Height

This drawing must not be copied or disclosed without consent of the owner

Drawn by	Name	Date
CarlaSilva	CarlaSilva	05/02/2025
Reference	X1AAR.1406044	
Scale	units in mm	general tolerance
1:12	DO NOT SCALE	0.8mm
1st Angle projection	Malão PRO, 1356x556x360	

