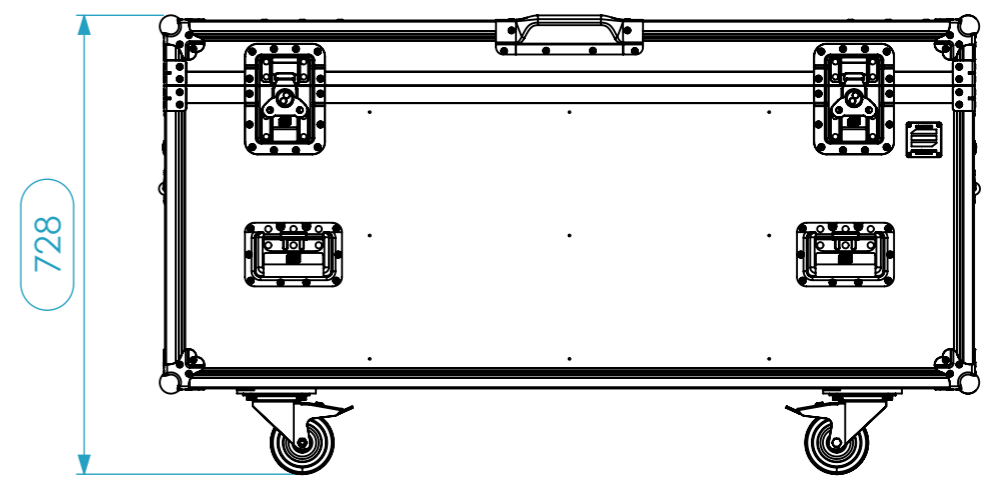
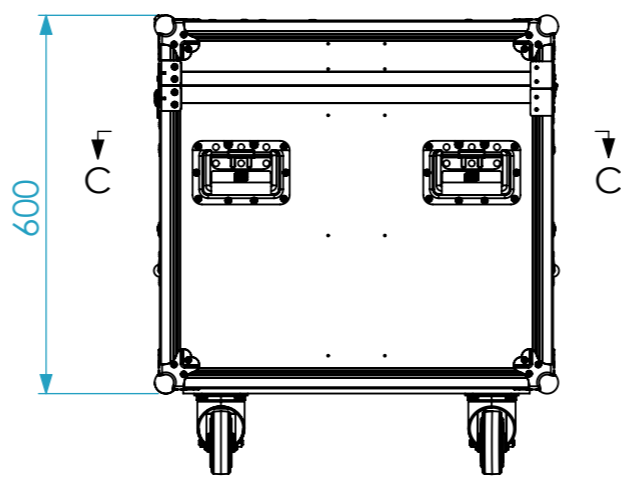
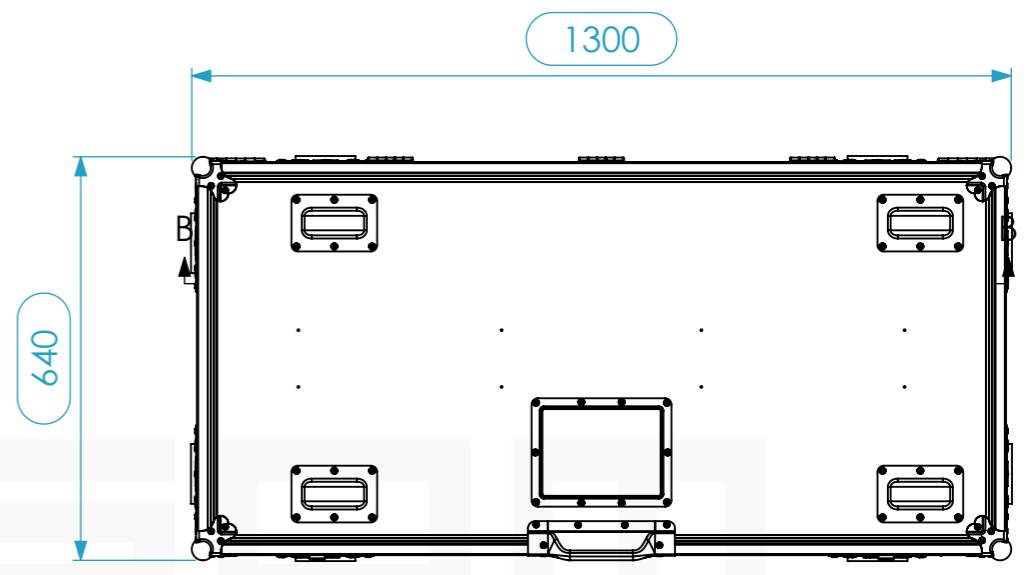
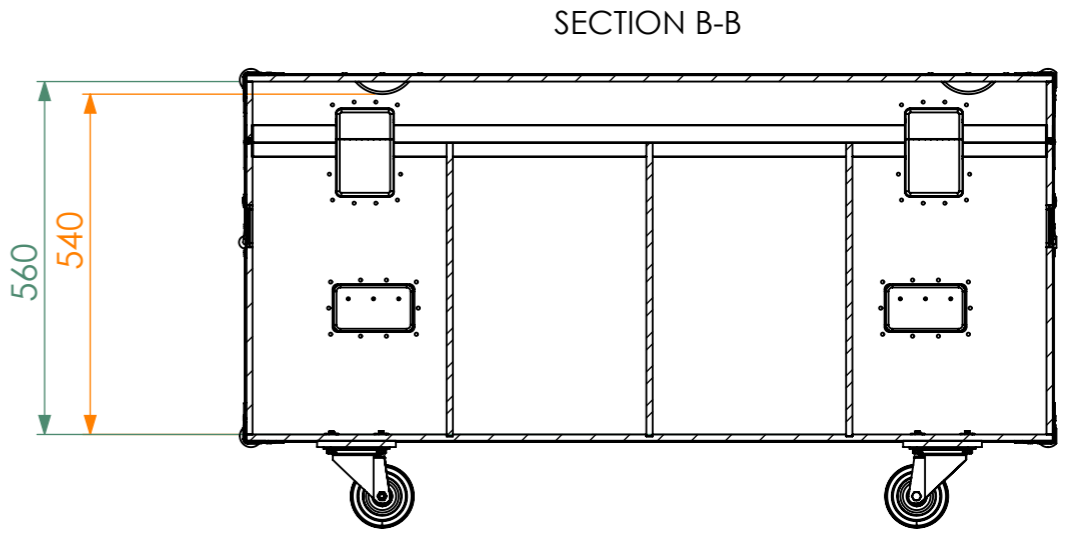
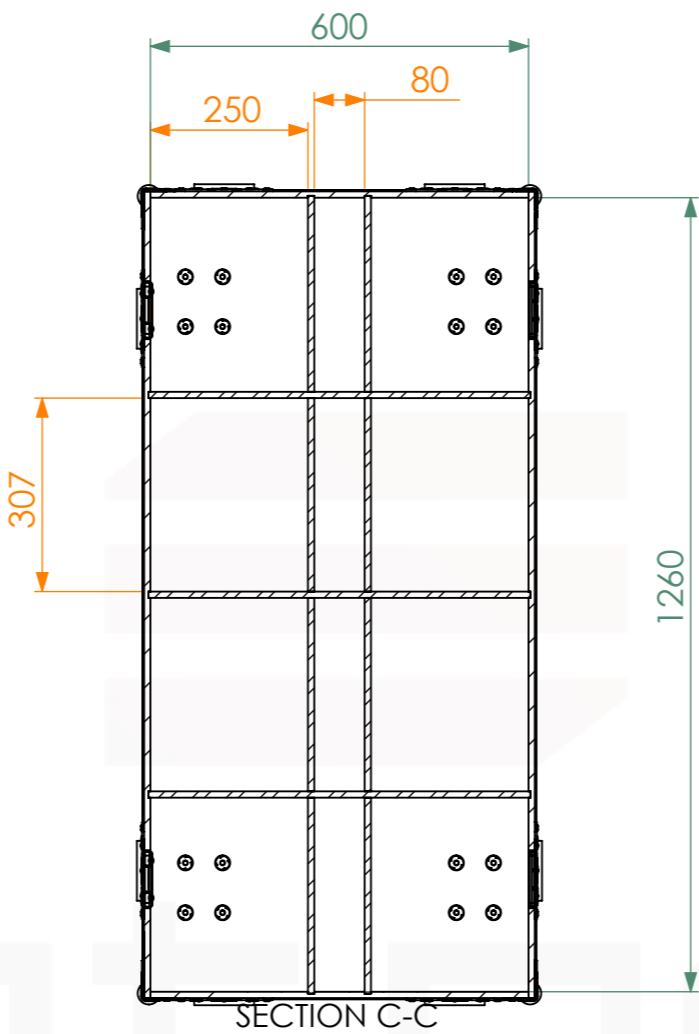
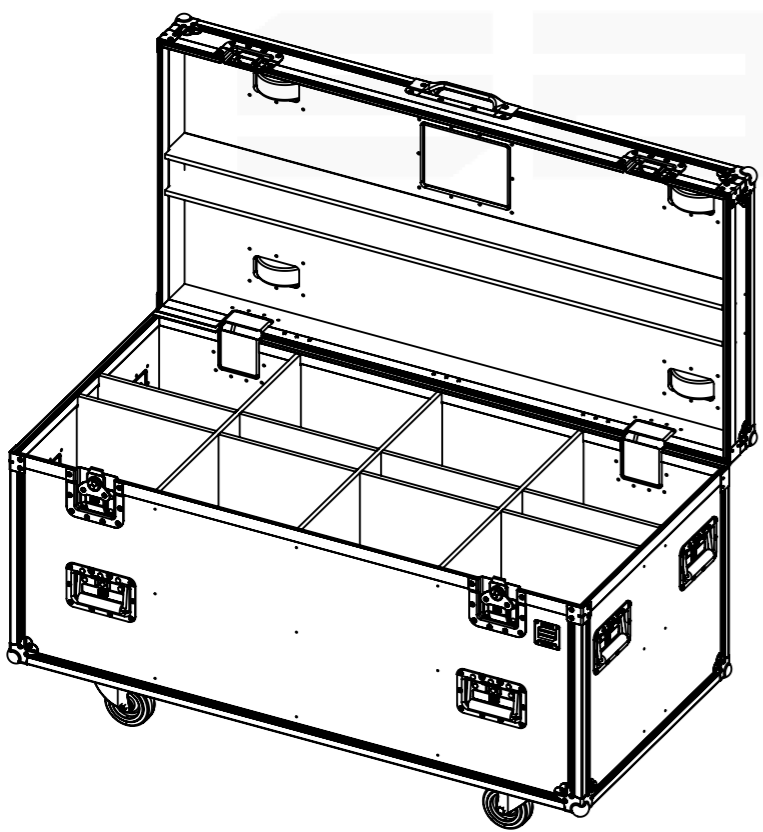
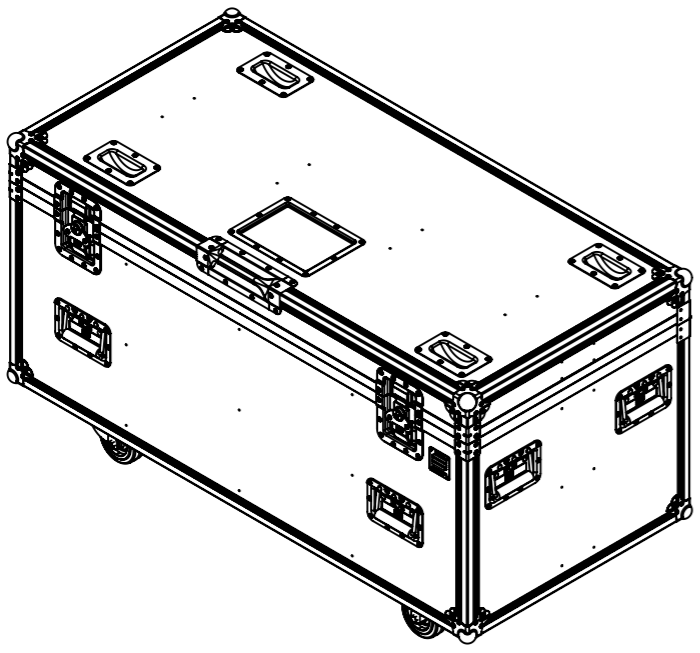


Internal Dimensions		
Width	Depth	Height
1256	596	560
Weight	Approx. 56 Kg	
Wall Thickness	10mm	



General External Dimensions		Usable Inner Dimensions		Wood Inner Dimensions	
W	Width	Wi	Inside Width	WWi	Wood Inside Width
D	Depth	Di	Inside Depth	WDi	Wood Inside Depth
H	Height	Hi	Inside Height	WHi	Wood Inside Height

This drawing must not be copied or disclosed without consent of the owner

Drawn by	Name	Date
CarlaSilva	CarlaSilva	21/12/2018
Reference	X1AAR.1306460.12P	
Scale	units in mm	general tolerance
1:12	DO NOT SCALE	0.8mm
FC_6X 307X258X560		



A3