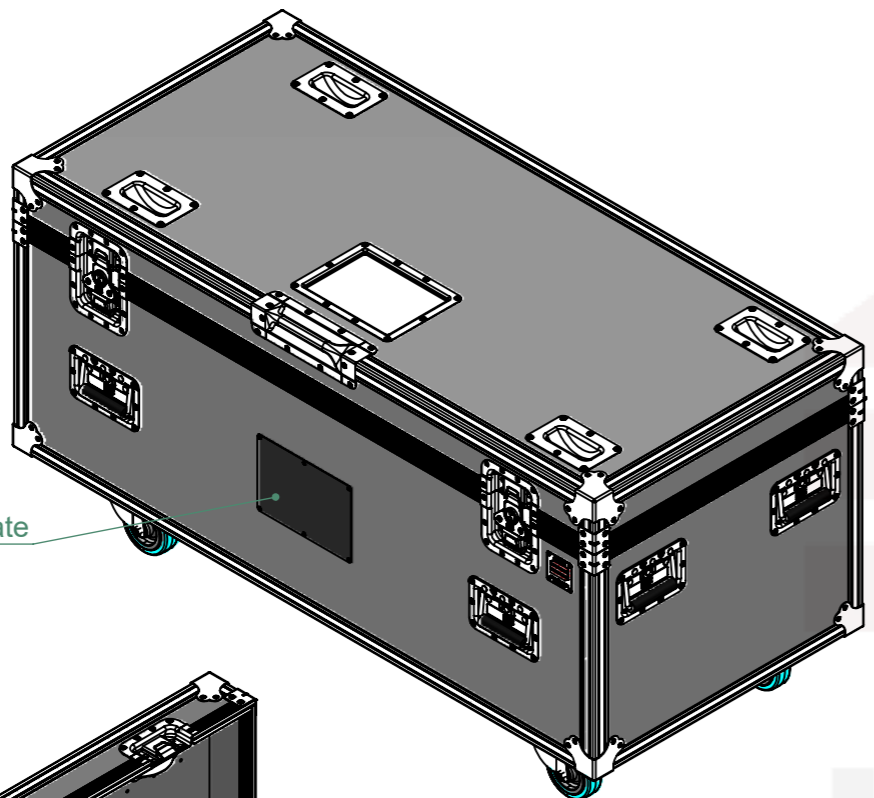
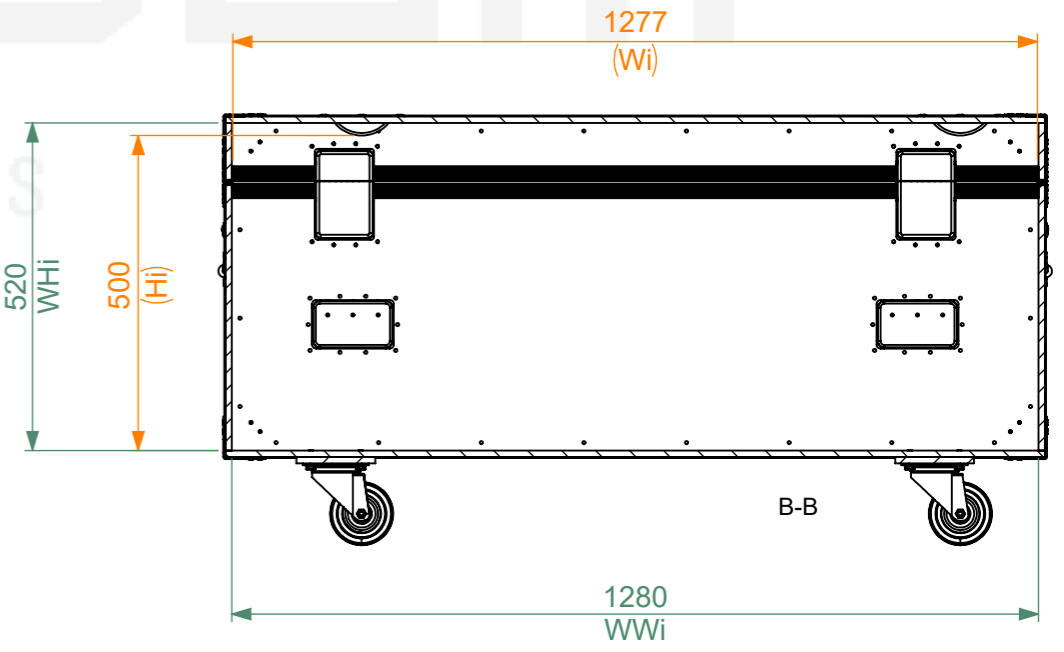
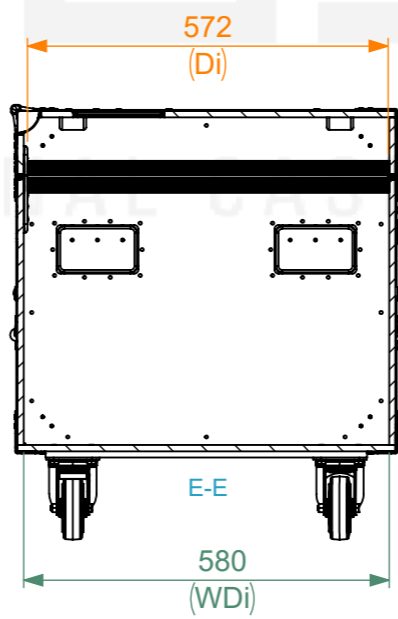
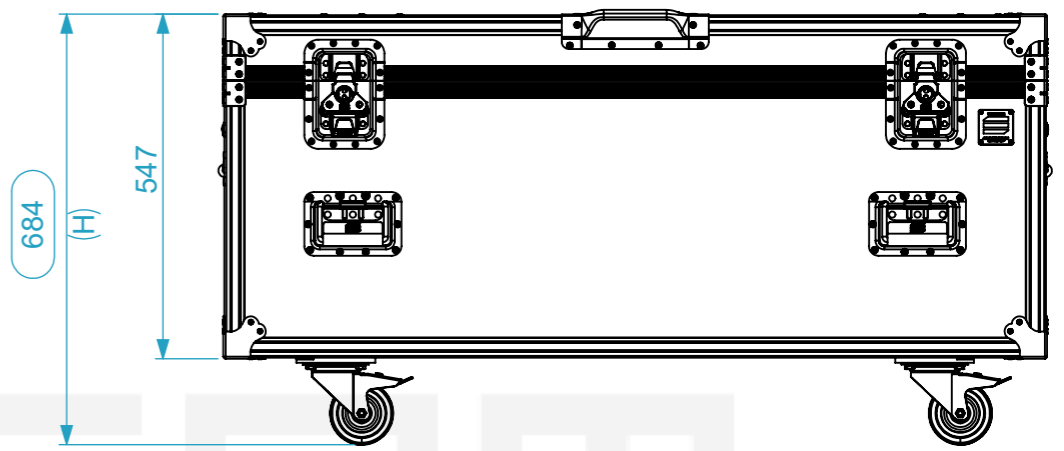
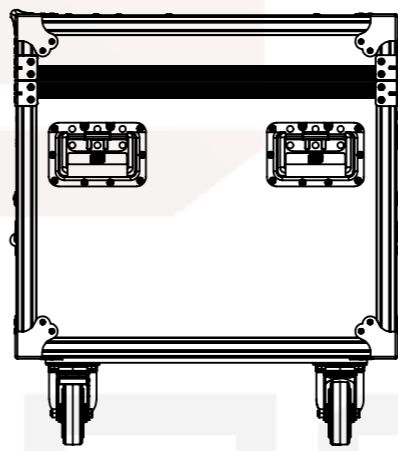
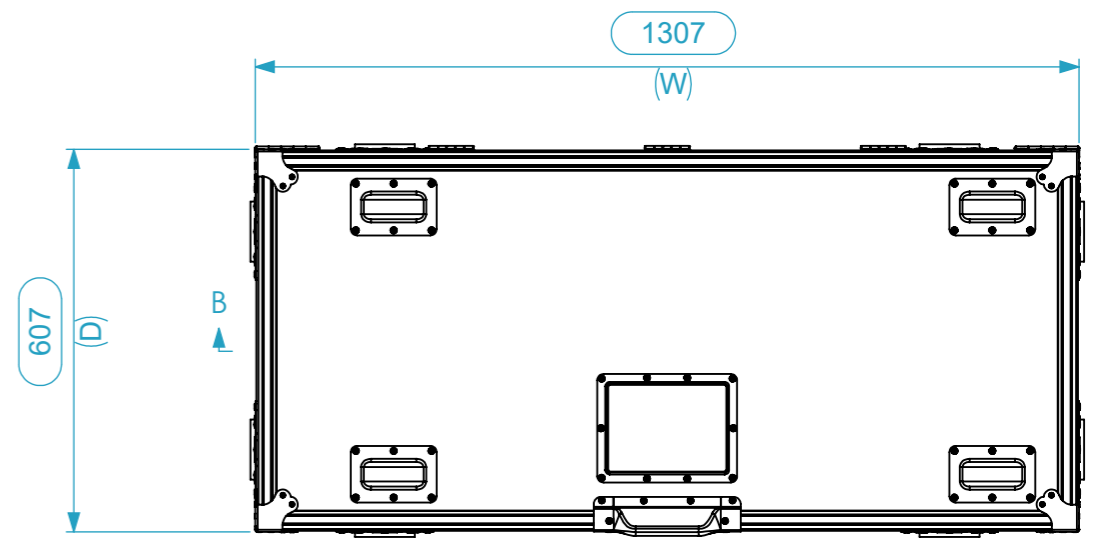
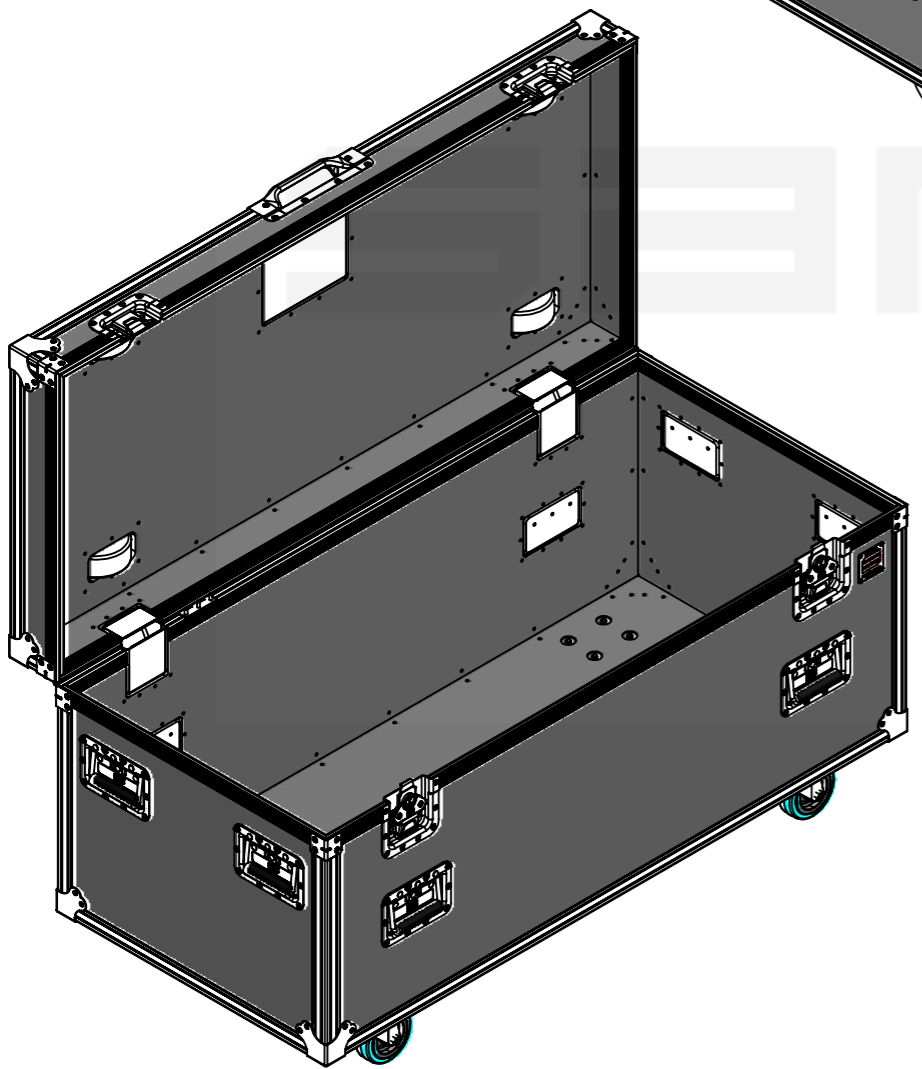


Internal Dimensions		
Width	Depth	Height
1276	576	516
Weight	Approx. 40 Kg	
Wall Thickness	10mm	



Optional printing plate



General External Dimensions		Usable Inner Dimensions		Wood Inner Dimensions	
W	Width	Wi	Inside Width	WWi	Wood Inside Width
D	Depth	Di	Inside Depth	WDi	Wood Inside Depth
H	Height	Hi	Inside Height	WHi	Wood Inside Height

A3 This drawing must not be copied or disclosed without consent of the owner

Drawn by	Name	Date
jose.couto	jose.couto	17/12/2025
Reference	X1AAR.1306055N2	
Scale	units in mm	general tolerance
1:12	DO NOT SCALE	0.8mm
1st Angle projection		
Malão PRO, X1 N2 130.60.55 (127x57x516)		

