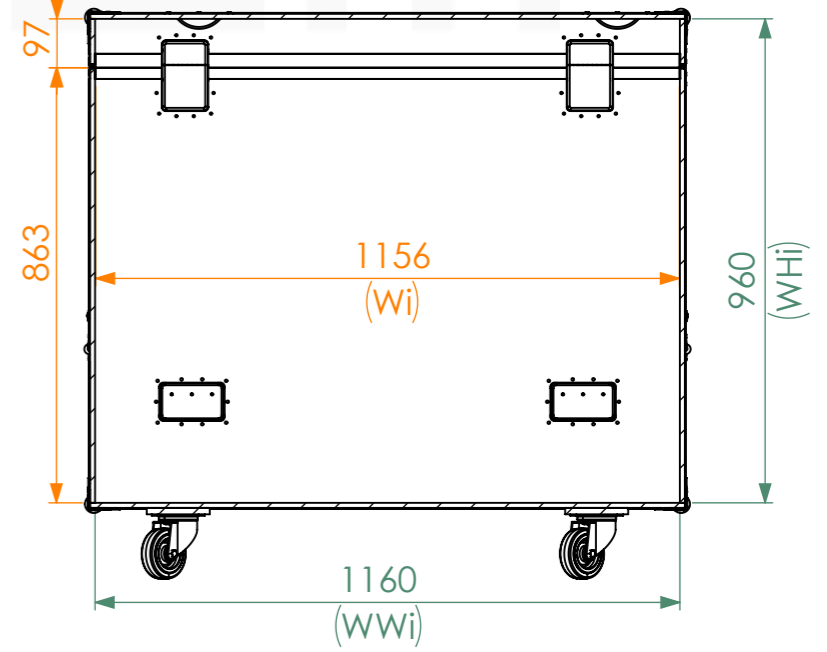
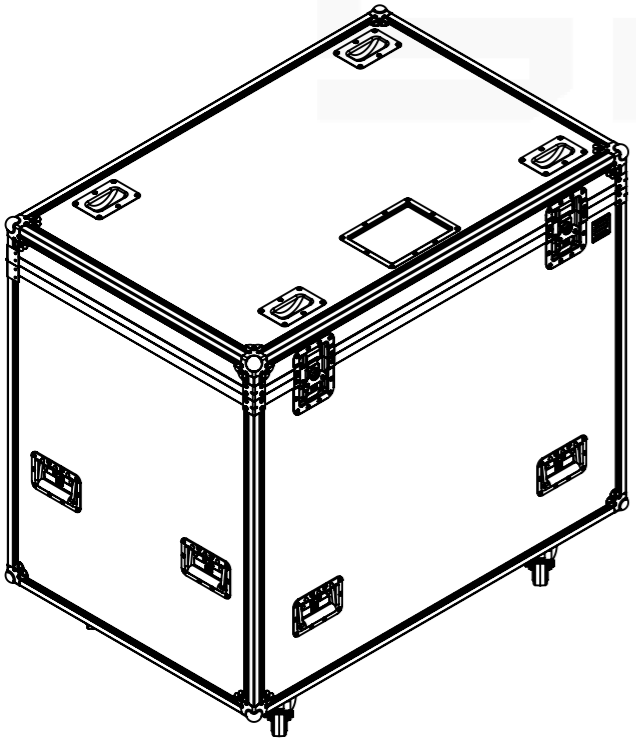
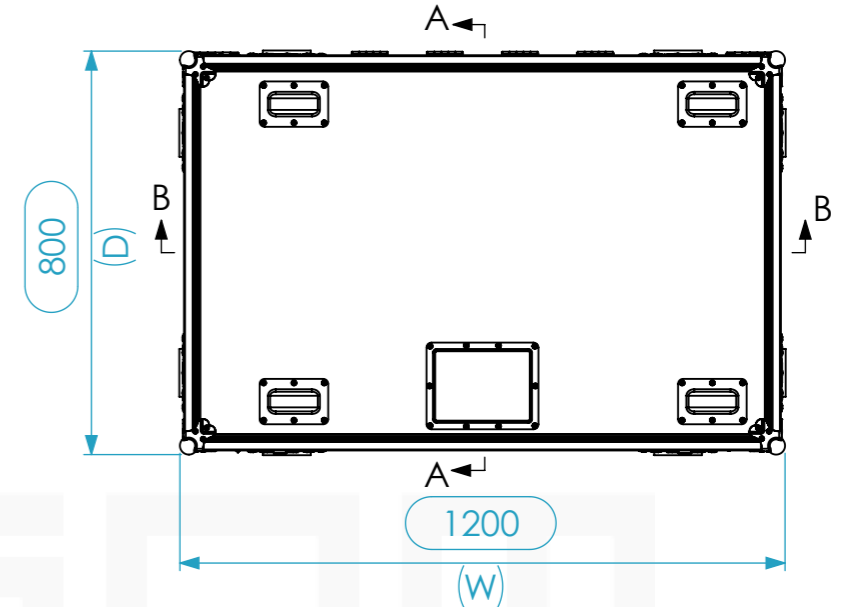
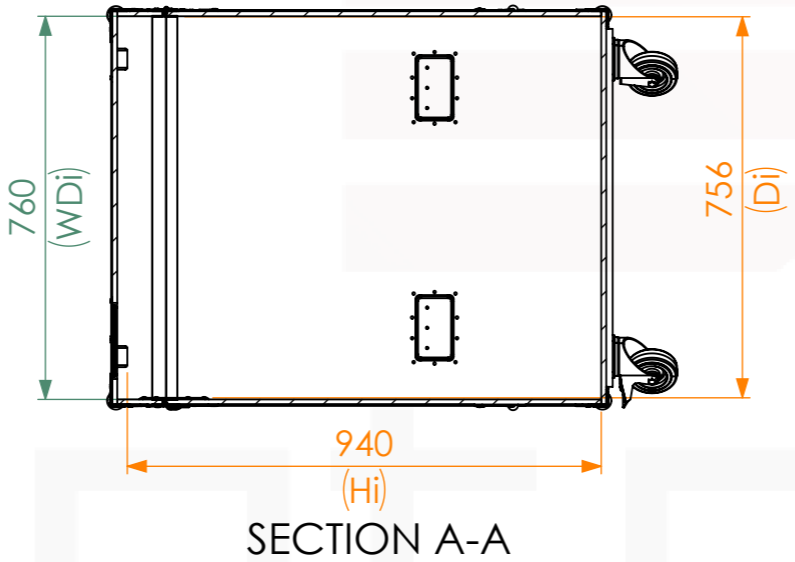
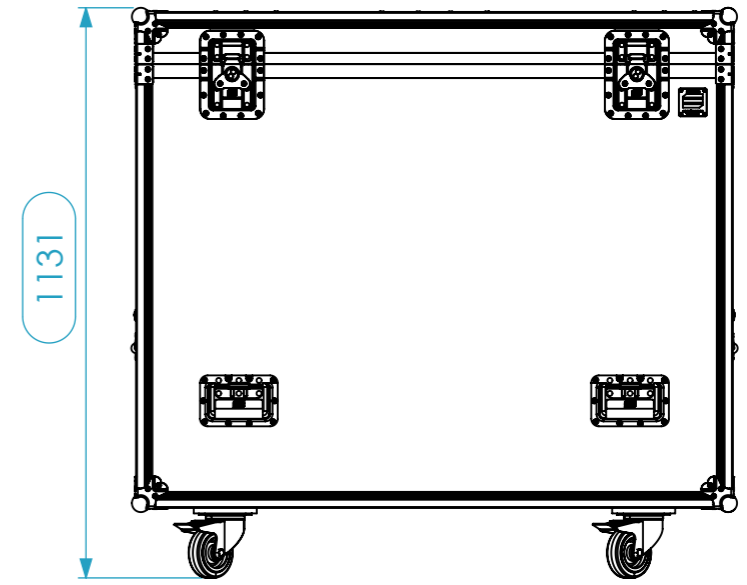
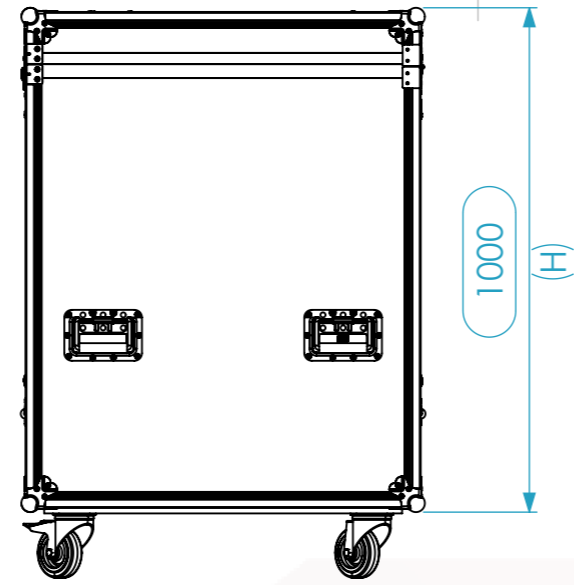


Internal Dimensions		
Width	Depth	Height
1156	756	940
Weight	Approx. 56 Kg	
Wall Thickness		10mm



General External Dimensions		Usable Inner Dimensions (UID)		Wood Inner Dimensions (WID)	
W	Width	Wi	Inside Width	Wwi	Wood Inside Width
D	Depth	Di	Inside Depth	WDi	Wood Inside Depth
H	Height	Hi	Inside Height	WHi	Wood Inside Height

Name	Date
Drawn by	CatarinaHenriques 19/03/2018
Reference	X1AAR.1208010A
Scale	1:15
units in mm	general tolerance 0.8mm
DO NOT SCALE	FC, X1AA, 1156X756X960



This drawing must not be copied or disclosed without consent of the owner



A3