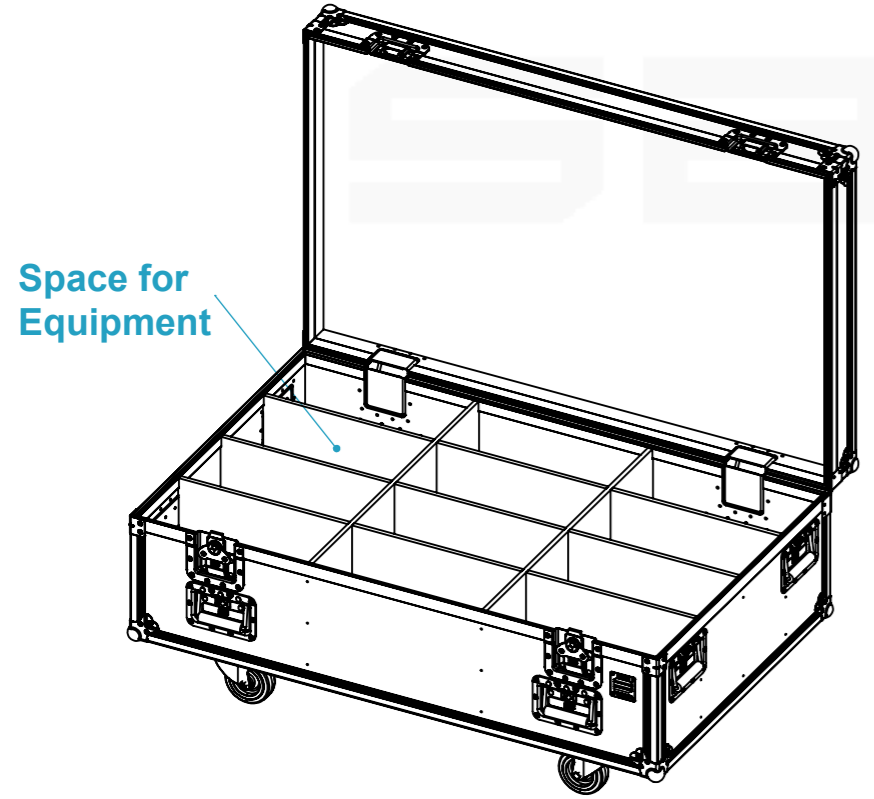
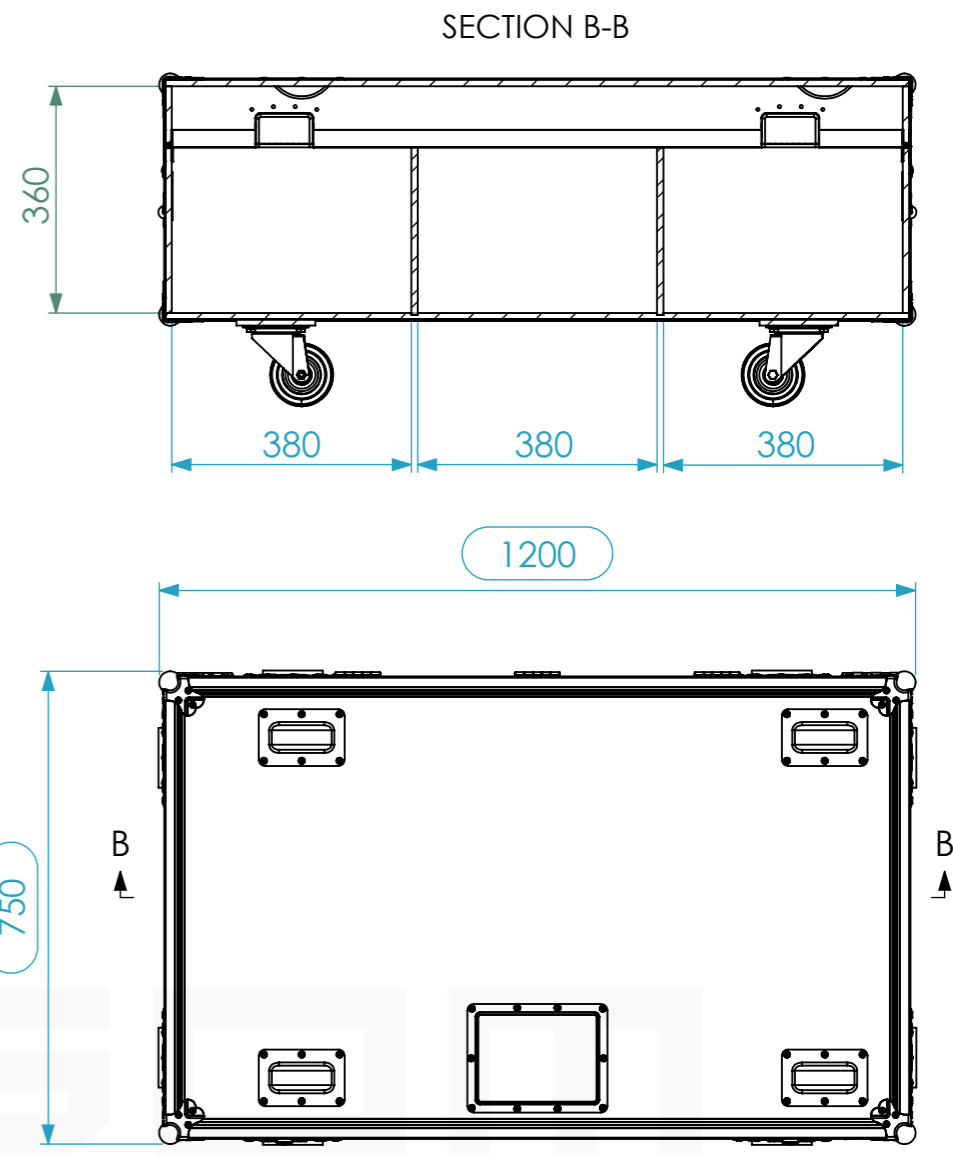
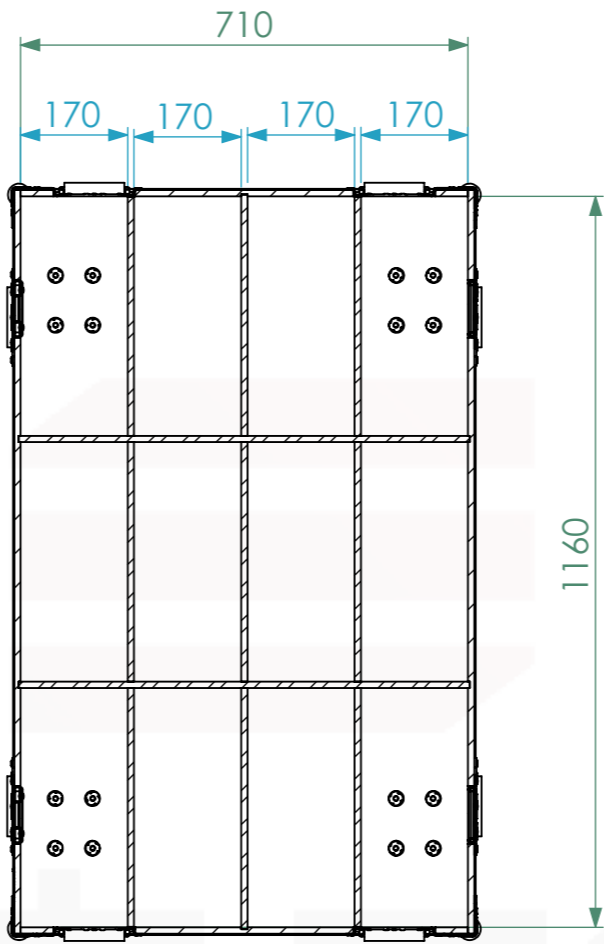
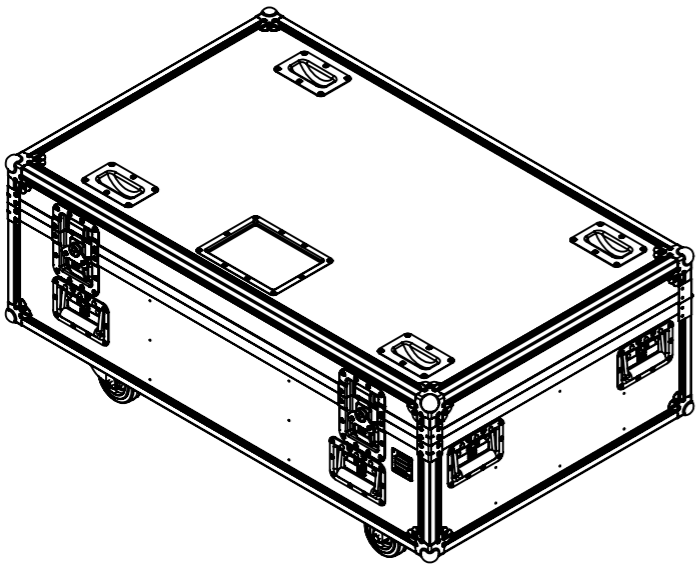
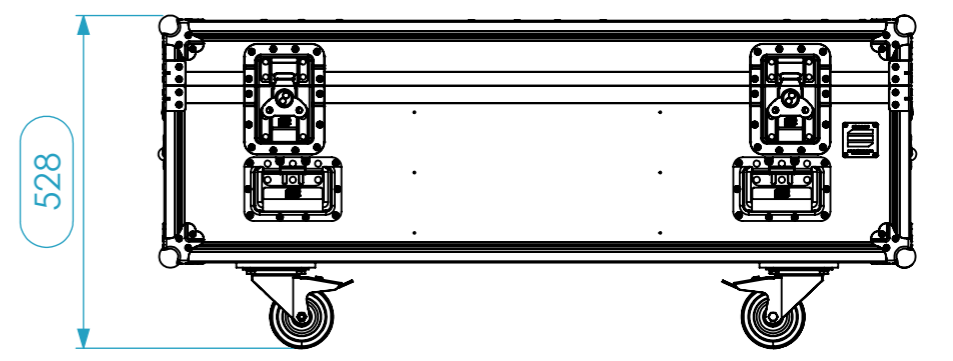
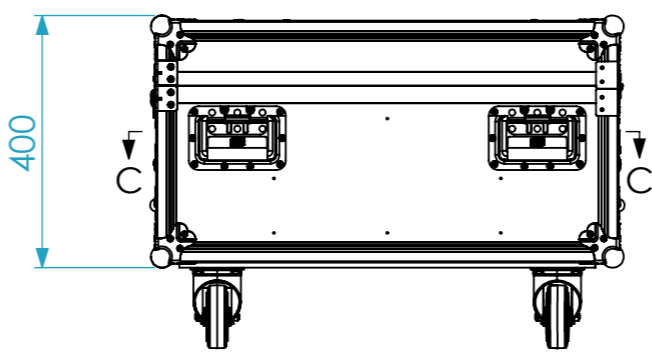


Internal Dimensions		
Width	Depth	Height
1156	706	360
Weight	Approx. 45 Kg	
Wall Thickness	10mm	



SECTION C-C



General External Dimensions		Usable Inner Dimensions		Wood Inner Dimensions	
W	Width	Wi	Inside Width	WWi	Wood Inside Width
D	Depth	Di	Inside Depth	WDi	Wood Inside Depth
H	Height	Hi	Inside Height	WHi	Wood Inside Height

Drawn by	Name	Date
jorgepacheco	jorgepacheco	23/03/2018
Reference	X1AAR.1207540.12E	
Scale	units in mm	general tolerance
1:12	DO NOT SCALE	0.8mm
FC. 12X 1156X706X360 INNER DIM.		



This drawing must not be copied or disclosed without consent of the owner



A3