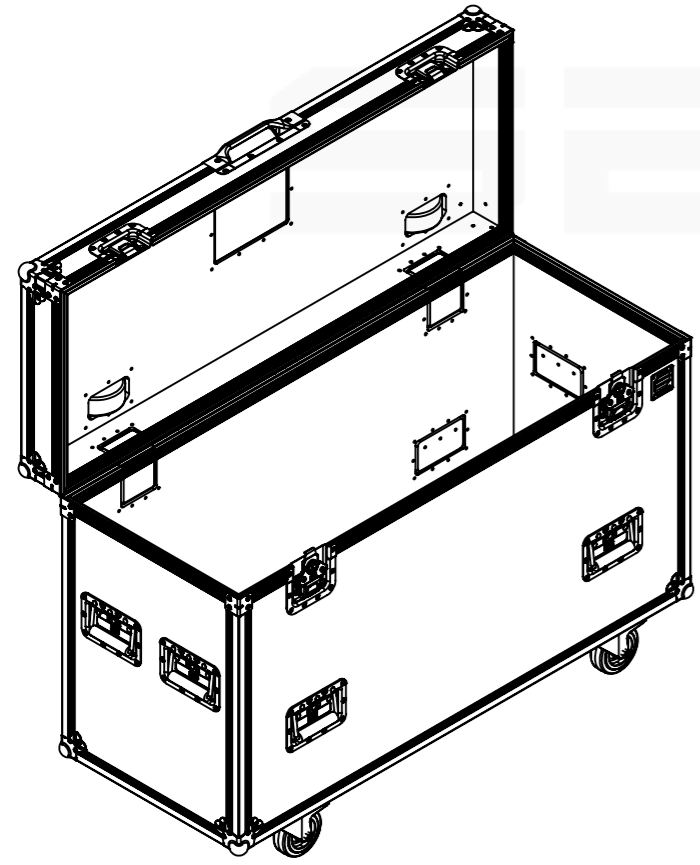
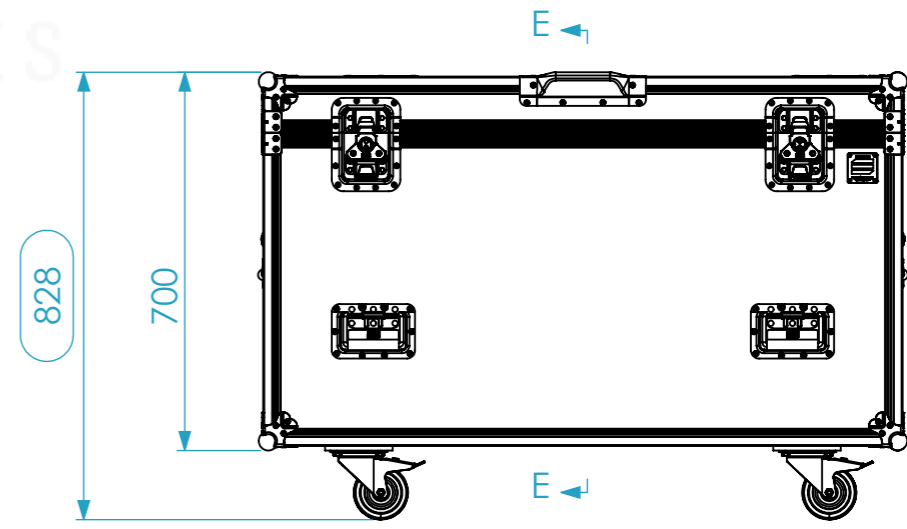
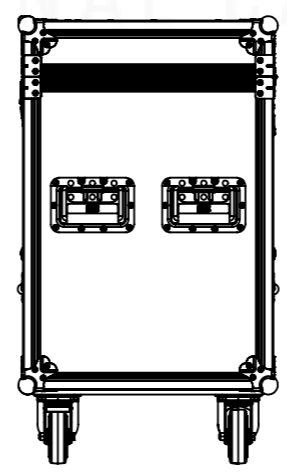
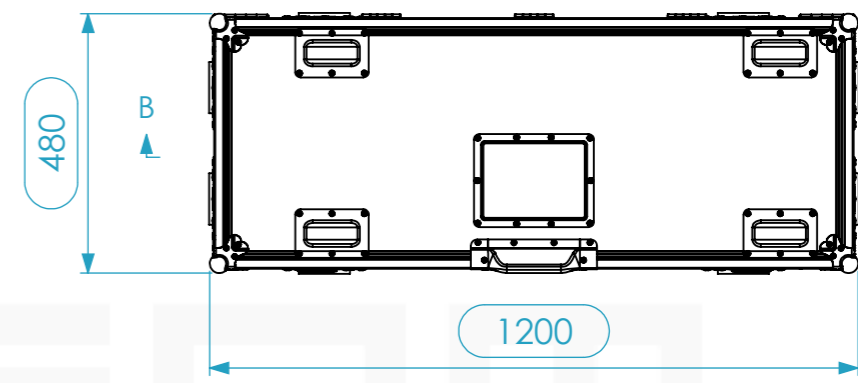
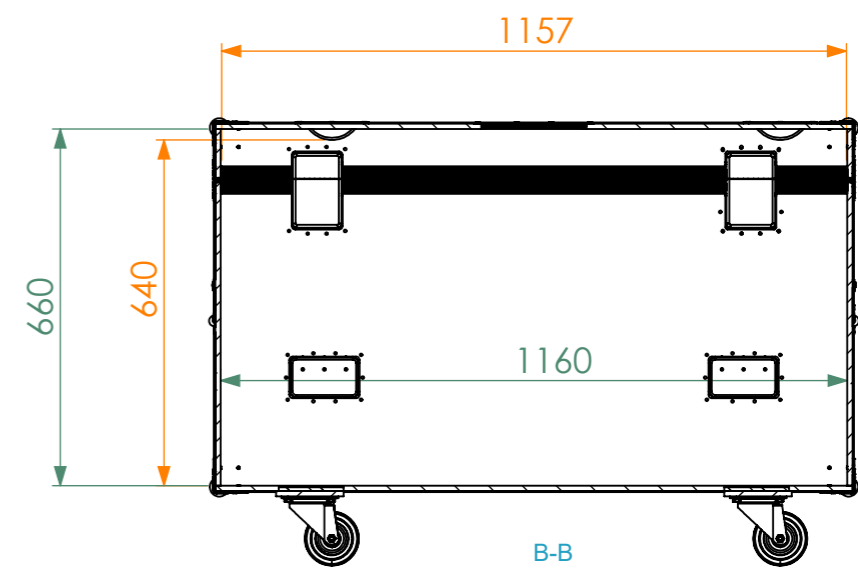
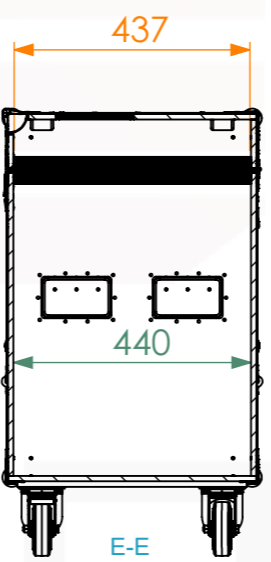


Internal Dimensions		
Width	Depth	Height
1156	436	656
Weight	Approx. 38 Kg	
Wall Thickness	10mm	



General External Dimensions		Usable Inner Dimensions		Wood Inner Dimensions	
W	Width	Wi	Inside Width	WWi	Wood Inside Width
D	Depth	Di	Inside Depth	WDi	Wood Inside Depth
H	Height	Hi	Inside Height	WHi	Wood Inside Height

Name	Date
Drawn by projects	28/02/2022
Reference	X1AAR.1204870
Scale	1:14
units in mm	general tolerance 0.8mm
DO NOT SCALE	
Trunk ML X1 (116x46x66 WID)	



This drawing must not be copied or disclosed without consent of the owner



A3