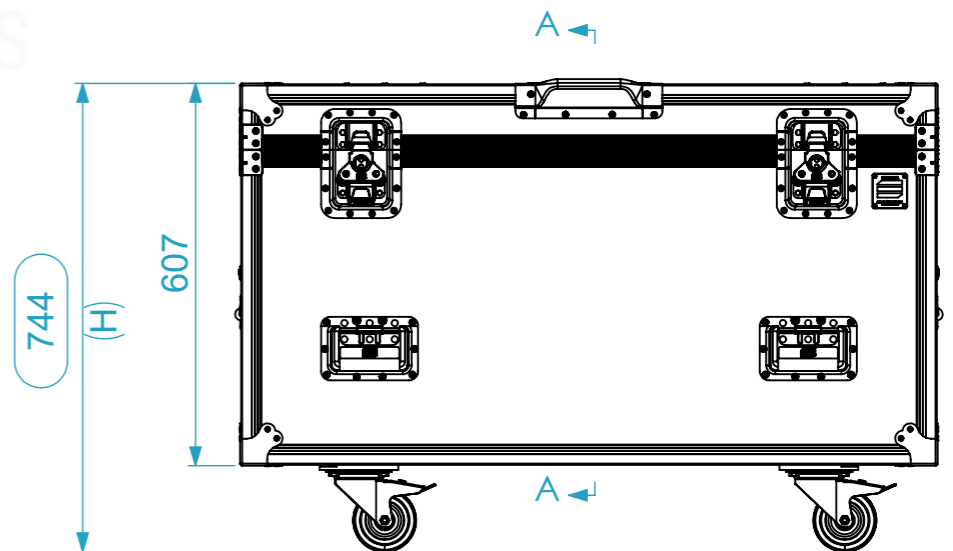
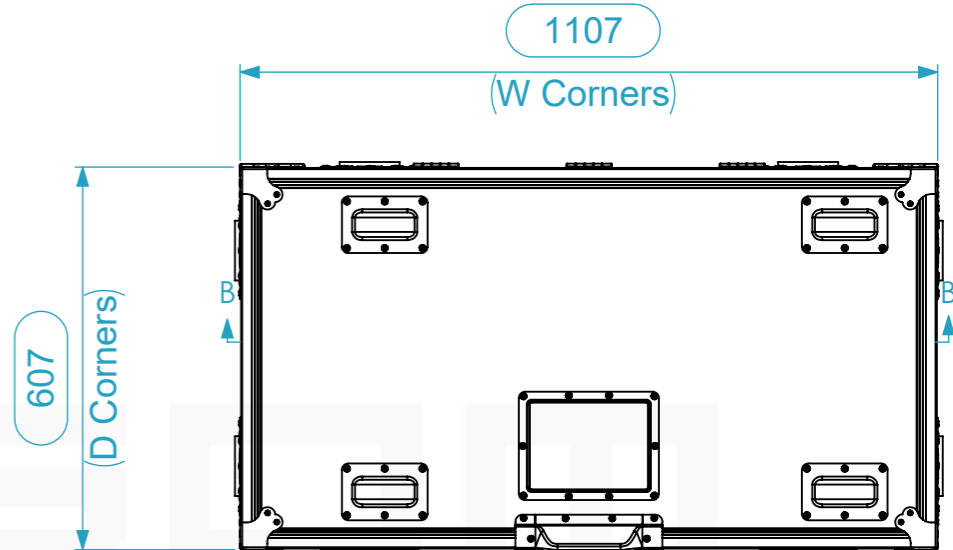
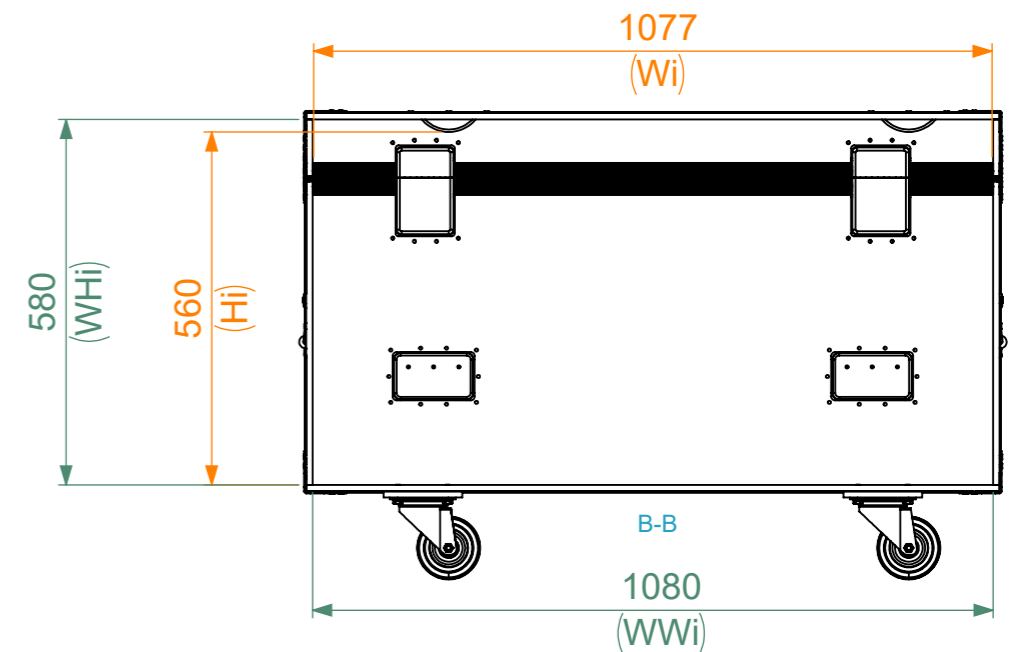
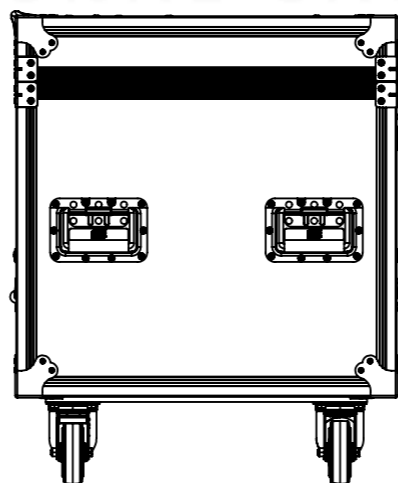
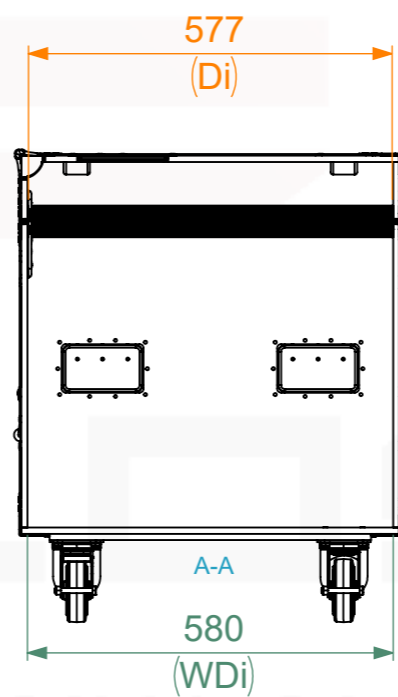
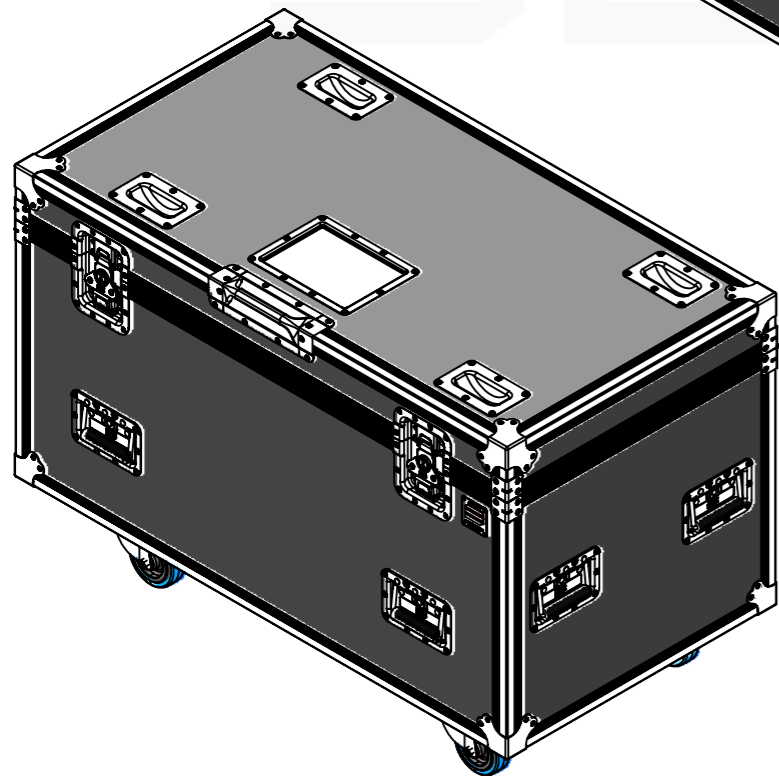
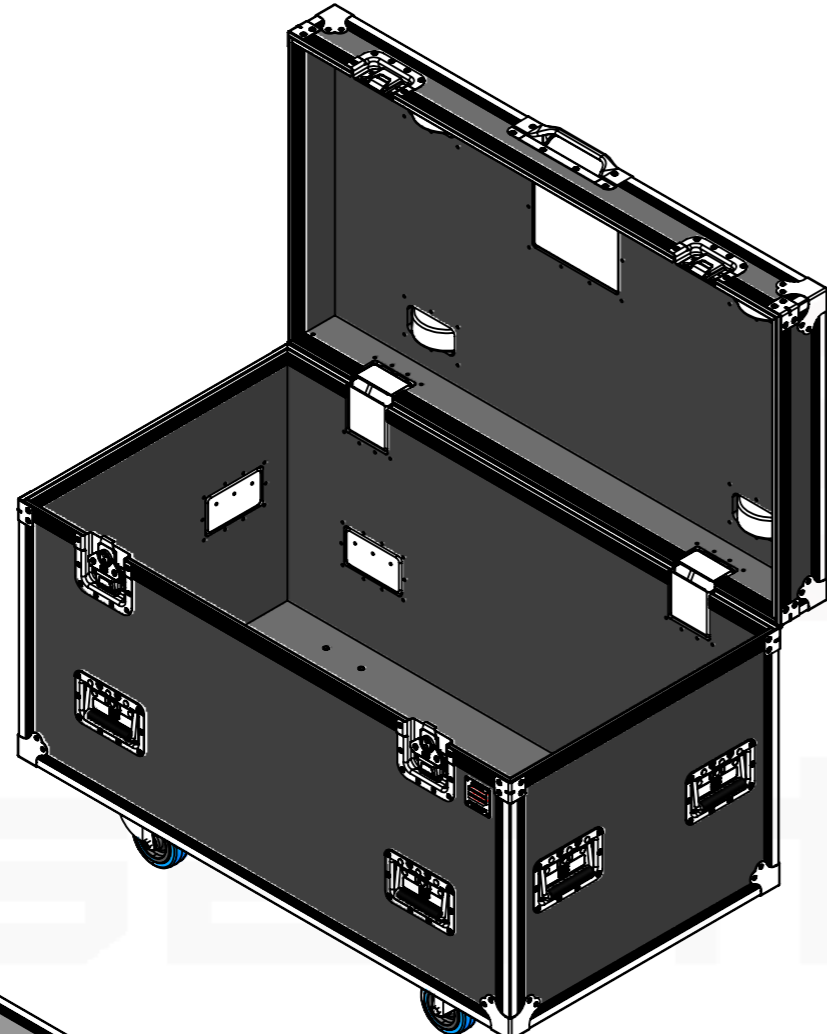


Internal Dimensions		
Width	Depth	Height
1077	577	560
Weight	Approx. 30 Kg	
Wall Thickness		10mm



General External Dimensions		Usable Inner Dimensions		Wood Inner Dimensions	
W	Width	Wi	Inside Width	WWi	Wood Inside Width
D	Depth	Di	Inside Depth	WDi	Wood Inside Depth
H	Height	Hi	Inside Height	WHi	Wood Inside Height

Name	Date
Drawn by projects	23/12/2024
Reference	X1AAR.1106060N2
Scale	1:1
units in mm	general tolerance 0.8mm
DO NOT SCALE	
Molão PRO (MN2) (1080x580x580 WID)	



This drawing must not be copied or disclosed without consent of the owner

A3

1st Angle projection