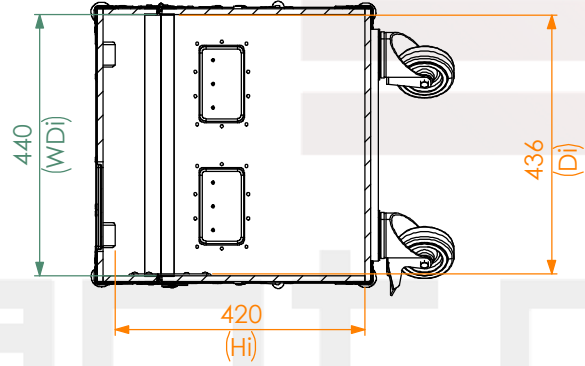
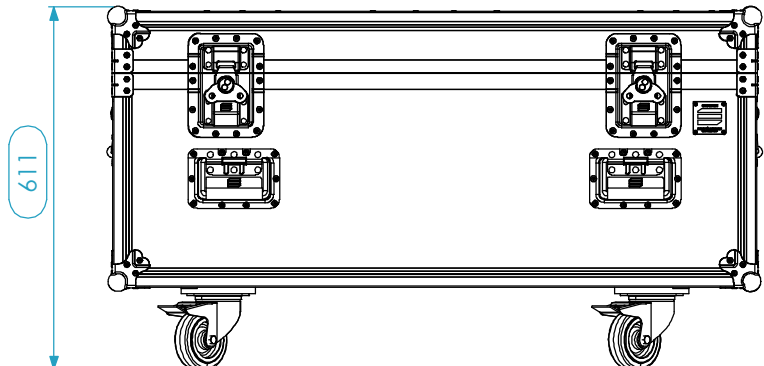
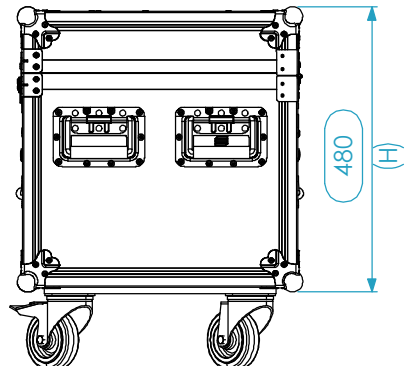
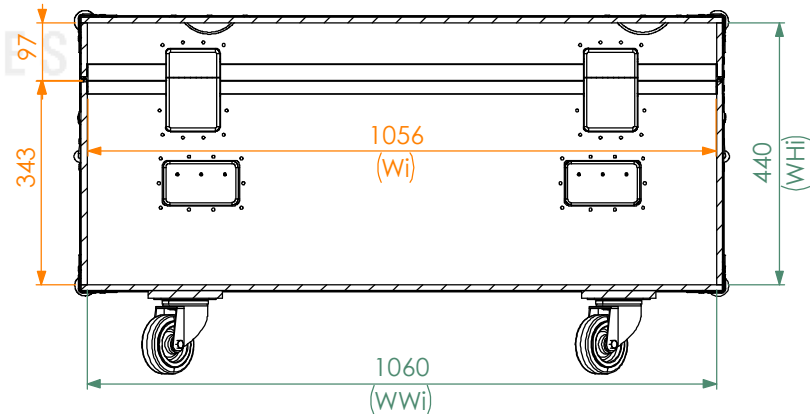
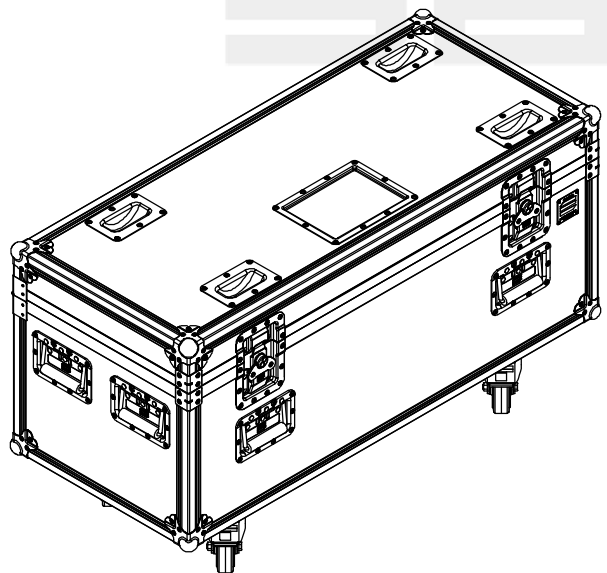
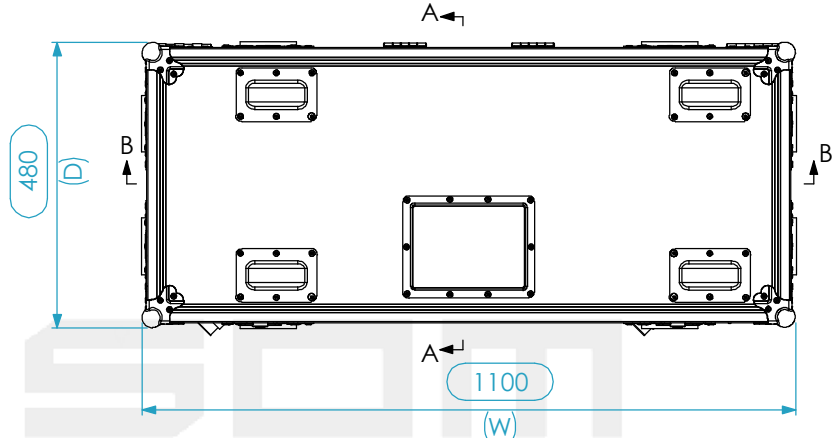


Internal Dimensions		
Width	Depth	Height
1056	436	420
Weight		Approx. 30 Kg
Wall Thickness		10mm

General External Dimensions	
W	Width
D	Depth
H	Height
Usable Inner Dimensions (UID)	
Wi	Inside Width
Di	Inside Depth
Hi	Inside Height
Wood Inner Dimensions (WID)	
WWi	Wood Inside Width
WDi	Wood Inside Depth
WHi	Wood Inside Height



SECTION A-A



Drawn by	Name	Date
Catarina Henriques	X1AAR.1104848	01/03/2018
Reference	FC_X1AA_1056x436x440	
Scale	units in mm	general tolerance
1:9	DO NOT SCALE	0.8mm

SECTION B-B
santosom
 PROFESSIONAL CASES

This drawing must not be copied or disclosed without consent of the owner



A3