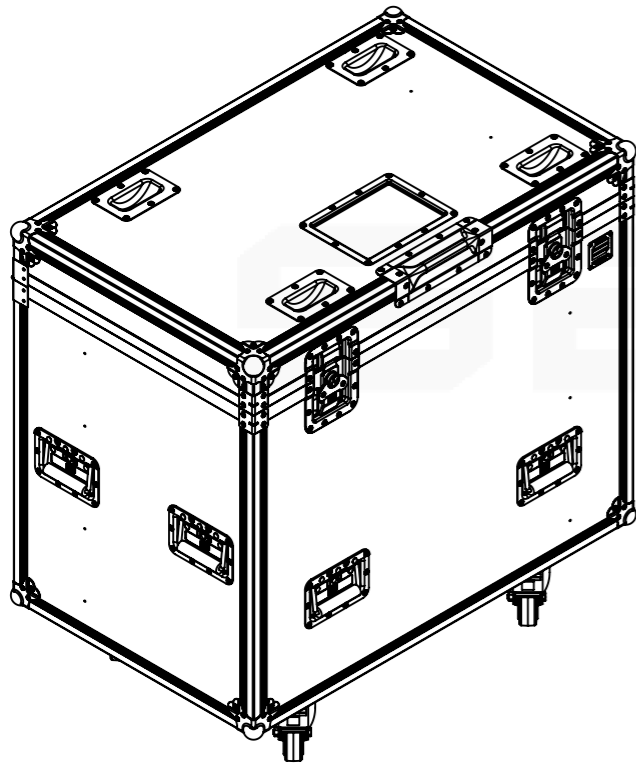
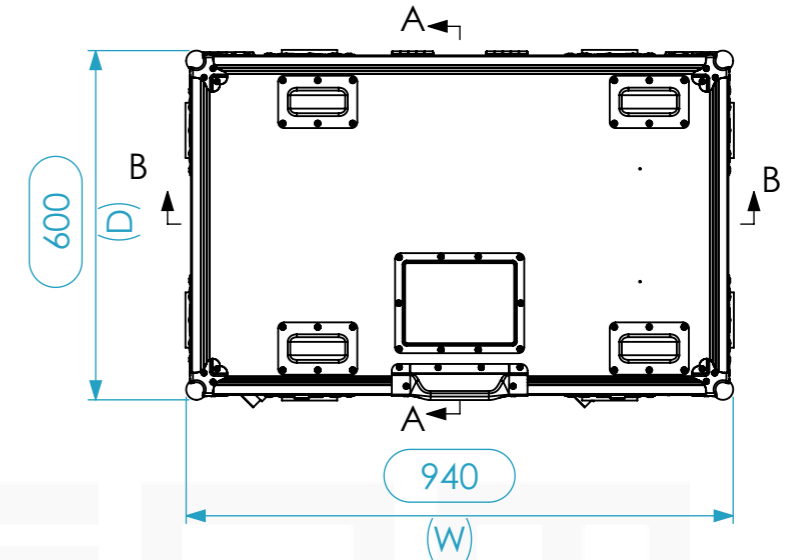
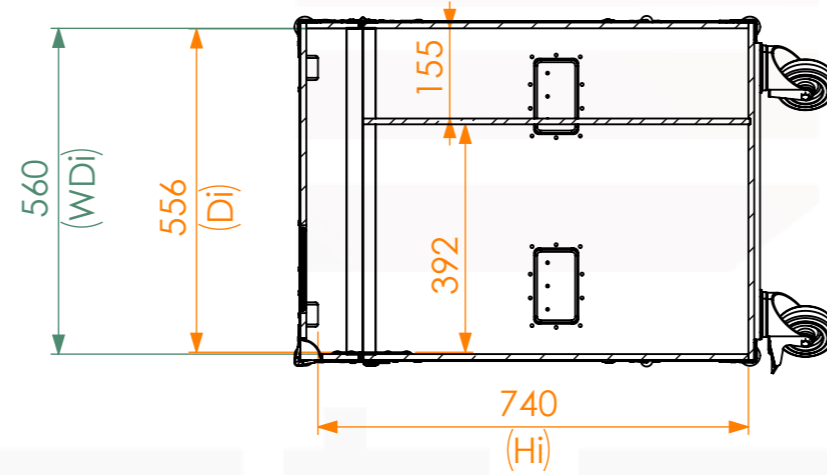
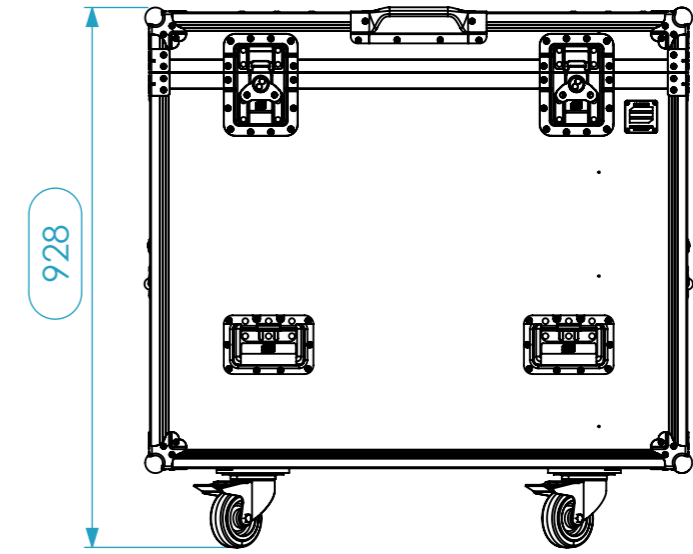
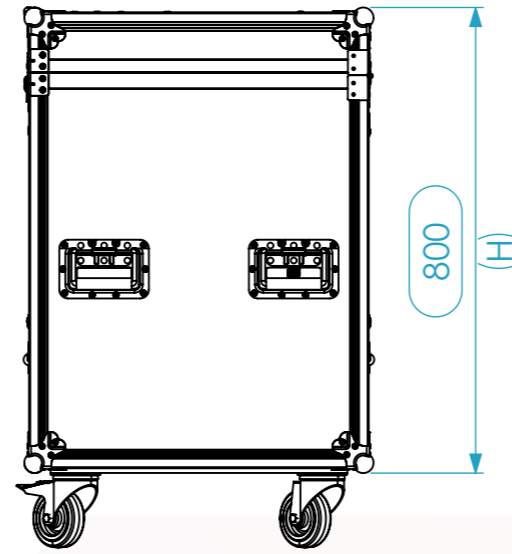
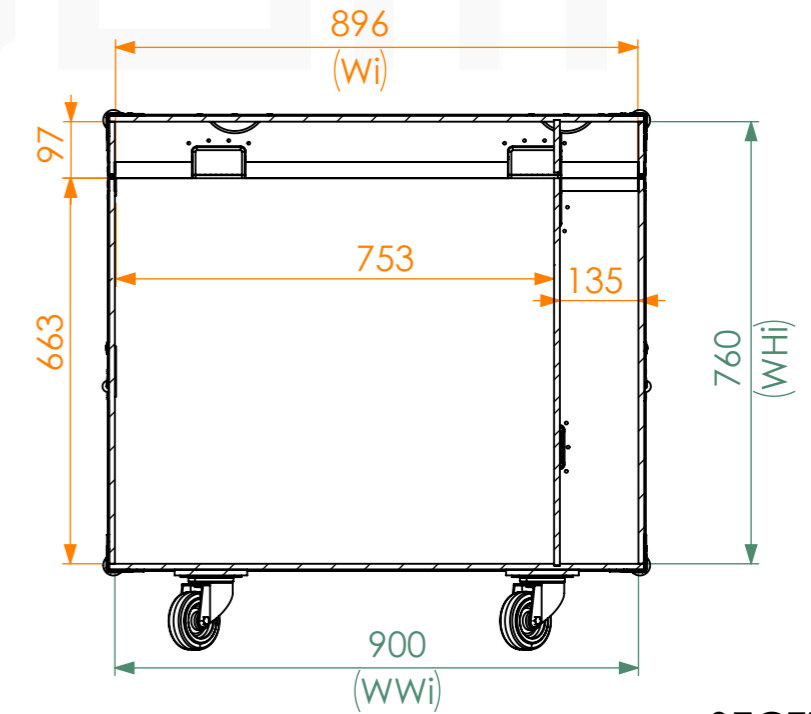


Internal Dimensions		
Width	Depth	Height
896	556	740
Weight	Approx. 35 Kg	
Wall Thickness		10mm

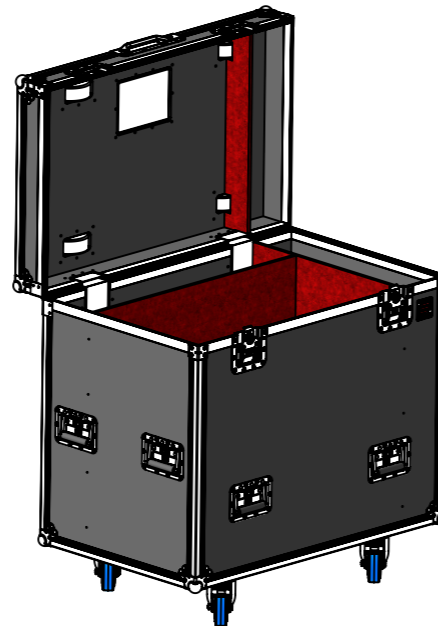
General External Dimensions	
W	Width
D	Depth
H	Height
Usable Inner Dimensions (UID)	
Wi	Inside Width
Di	Inside Depth
Hi	Inside Height
Wood Inner Dimensions (WID)	
WWi	Wood Inside Width
WDi	Wood Inside Depth
WHi	Wood Inside Height



SECTION A-A



SECTION B-B



A3

This drawing must not be copied or disclosed without consent of the owner



Scale 1:13

units in mm
DO NOT SCALE
general tolerance 0.8mm

FC. X1AA. 896X556X760

Name Date
CarlaSilva 09/08/2018

Reference X1AAR.0946080.03E

