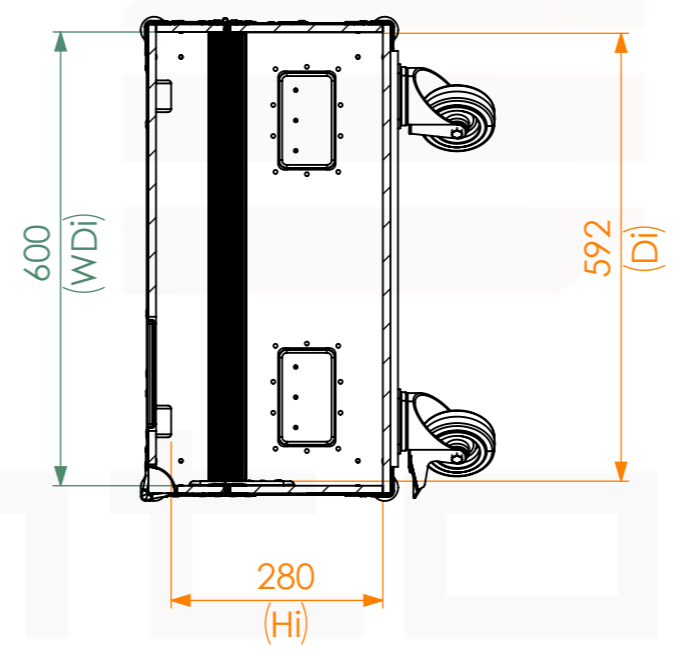
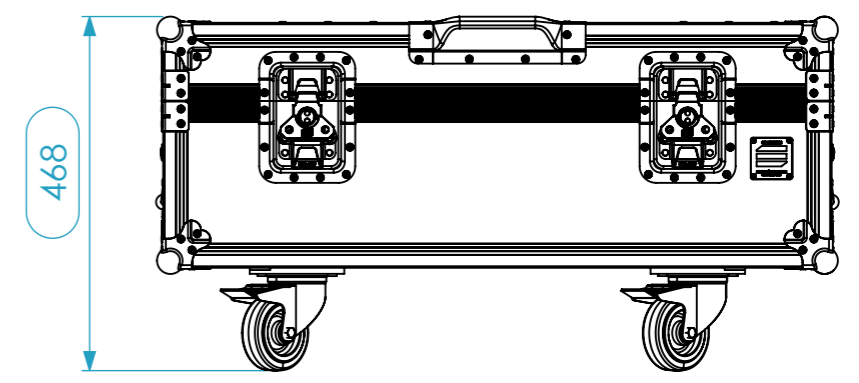
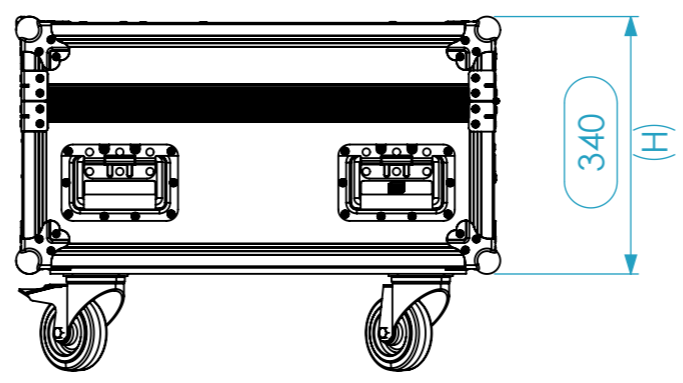
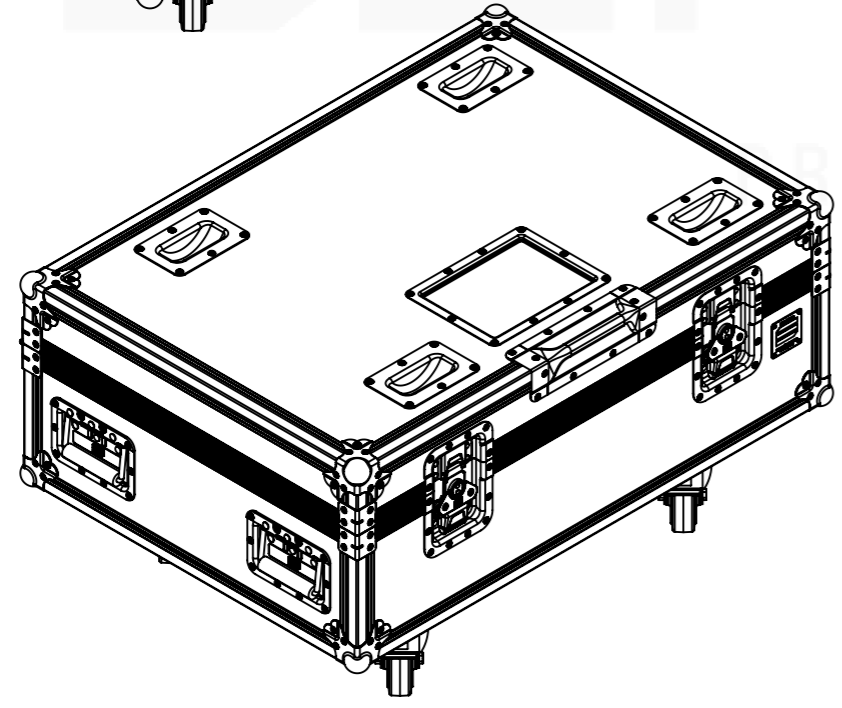
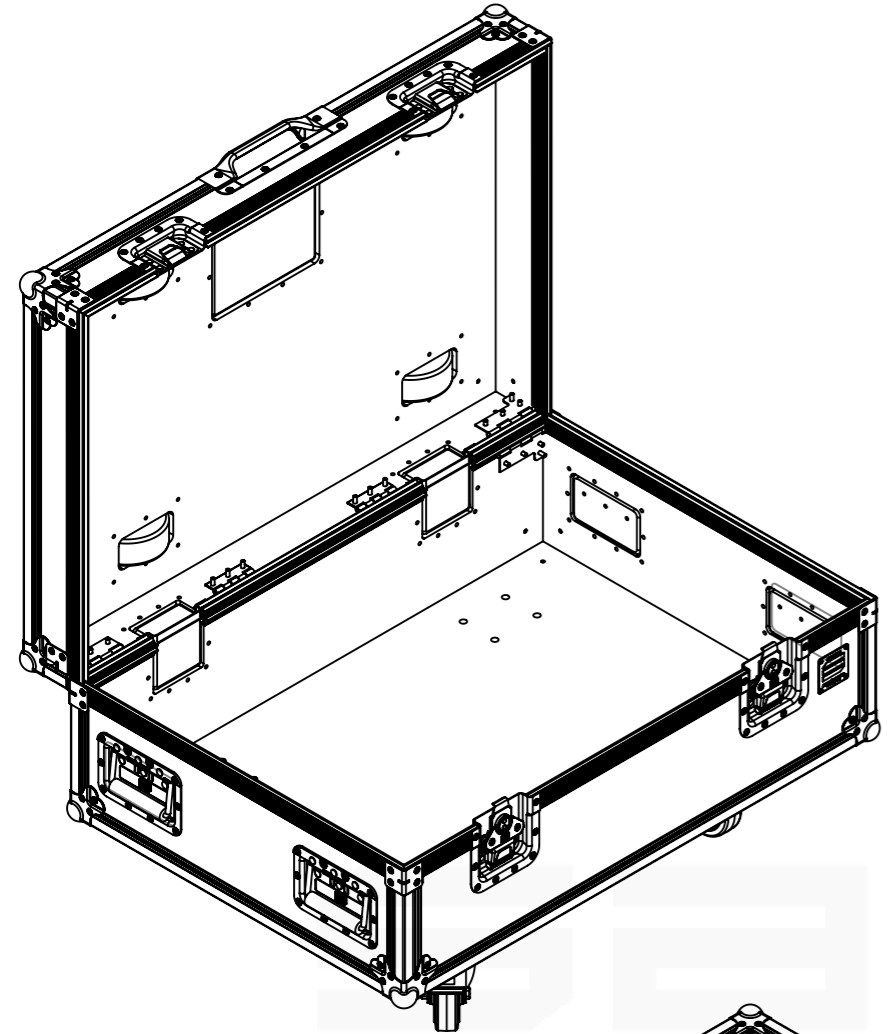
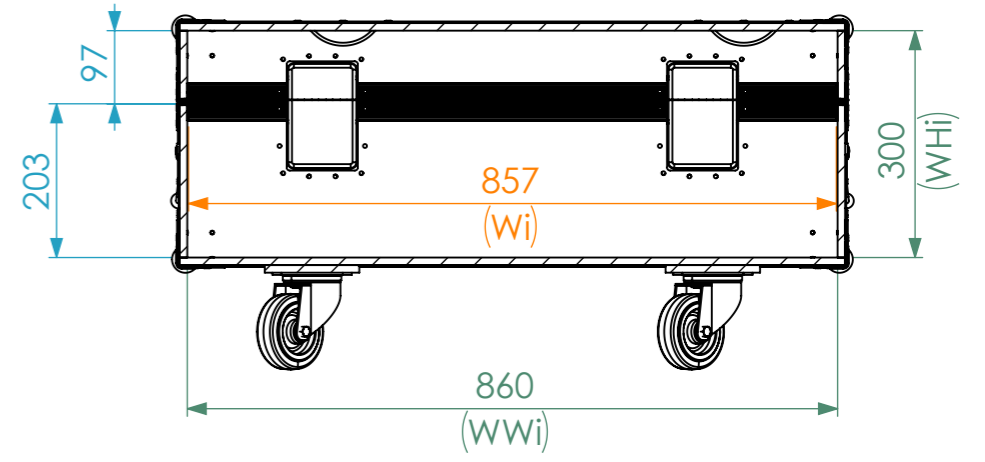
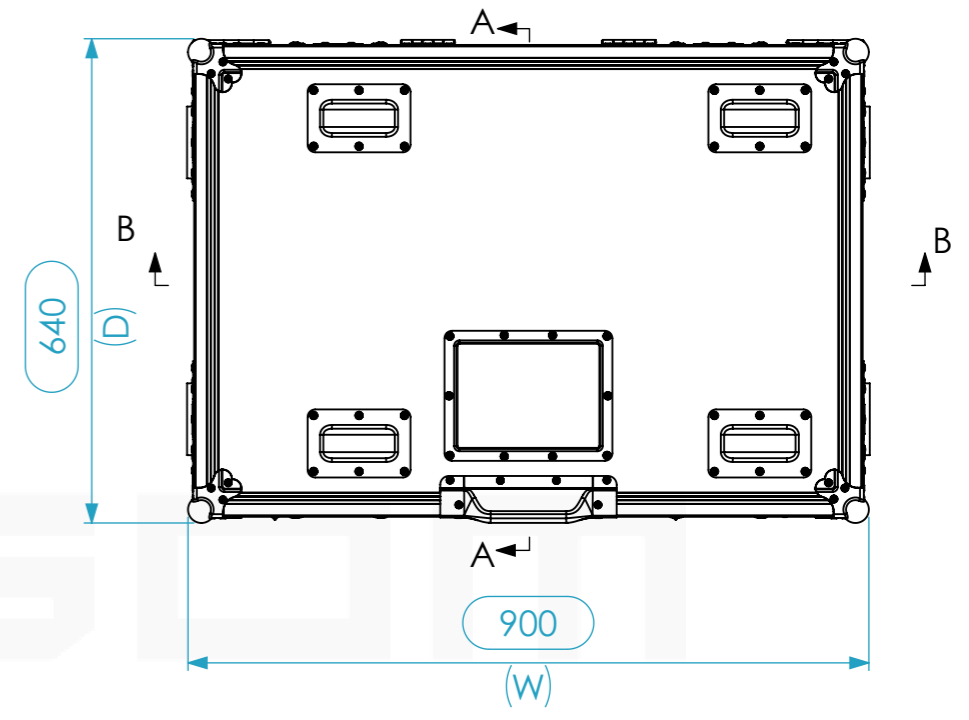


Internal Dimensions		
Width	Depth	Height
856	596	280
Weight	Approx. 32 Kg	
Wall Thickness	10mm	



SECTION A-A



SECTION B-B

General External Dimensions		Usable Inner Dimensions (UID)		Wood Inner Dimensions (WID)	
W	Width	Wi	Inside Width	WWi	Wood Inside Width
D	Depth	Di	Inside Depth	WDi	Wood Inside Depth
H	Height	Hi	Inside Height	WHi	Wood Inside Height

Drawn by	Name	Date
projects		02/07/2020
Reference	X1AAR.0906434	
Scale	units in mm	general tolerance
1:10	DO NOT SCALE	0.8mm
FC. X1AA. 857X592X280		



This drawing must not be copied or disclosed without consent of the owner



A3