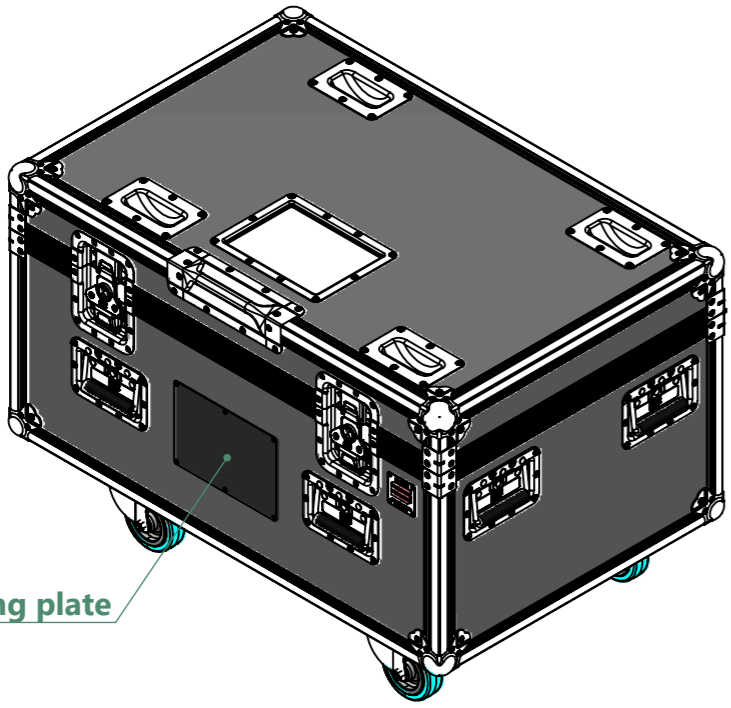
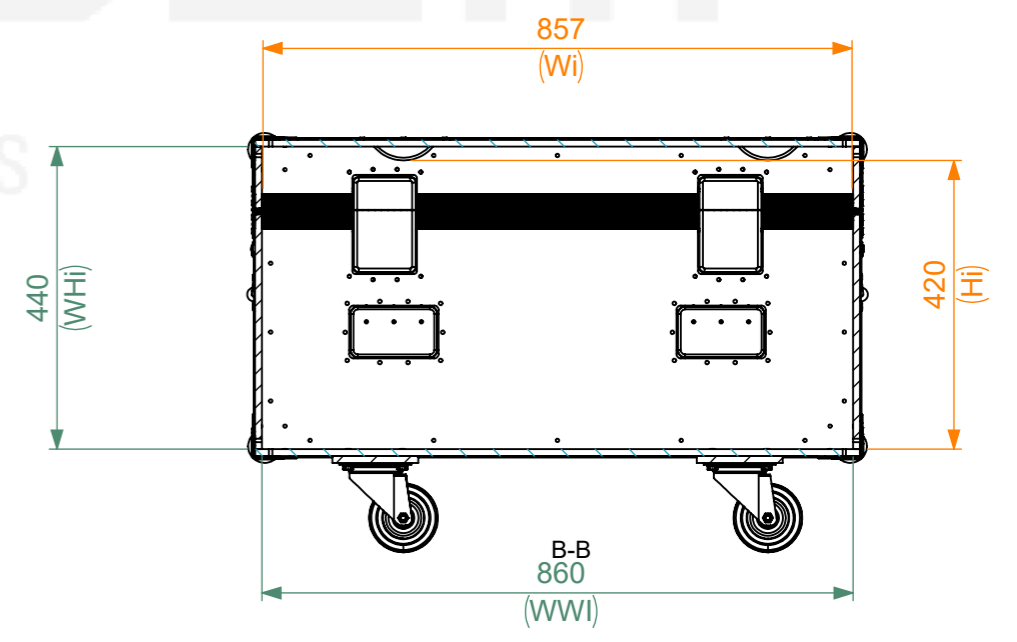
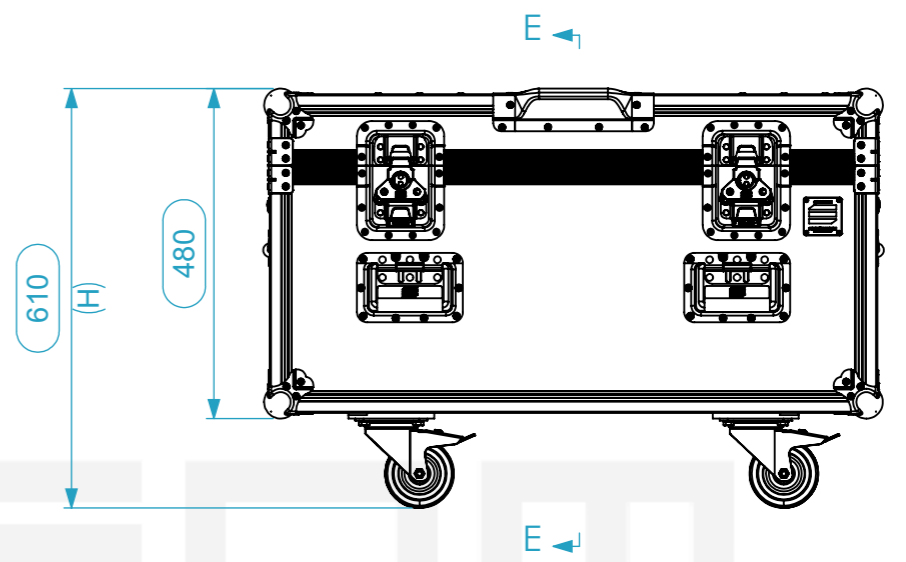
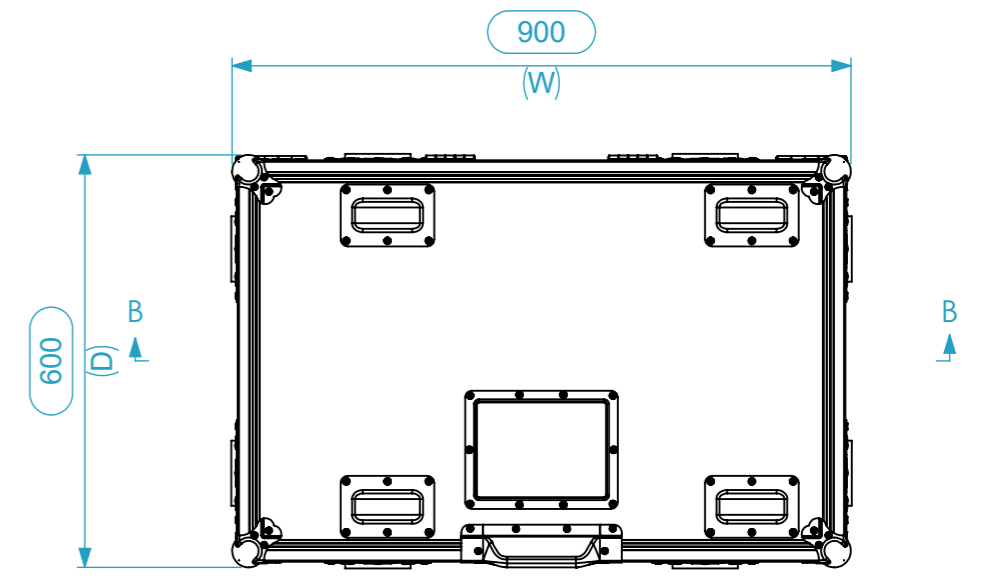
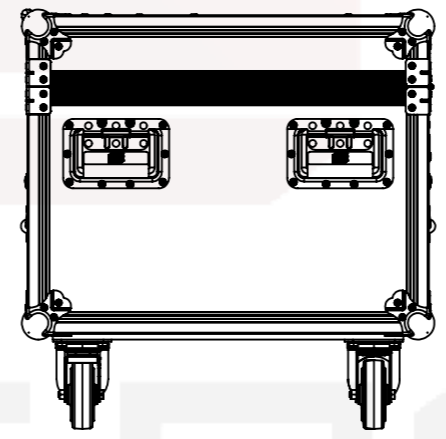
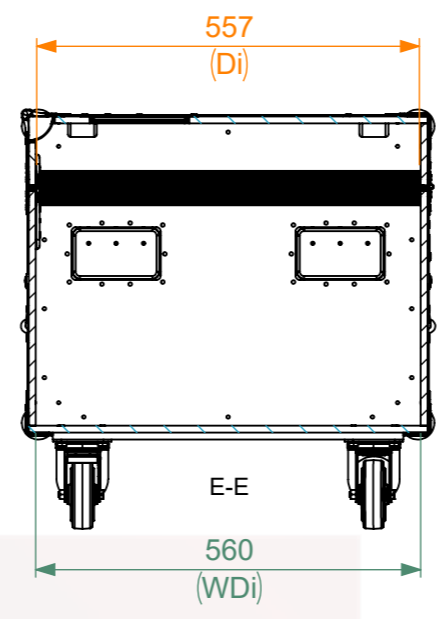
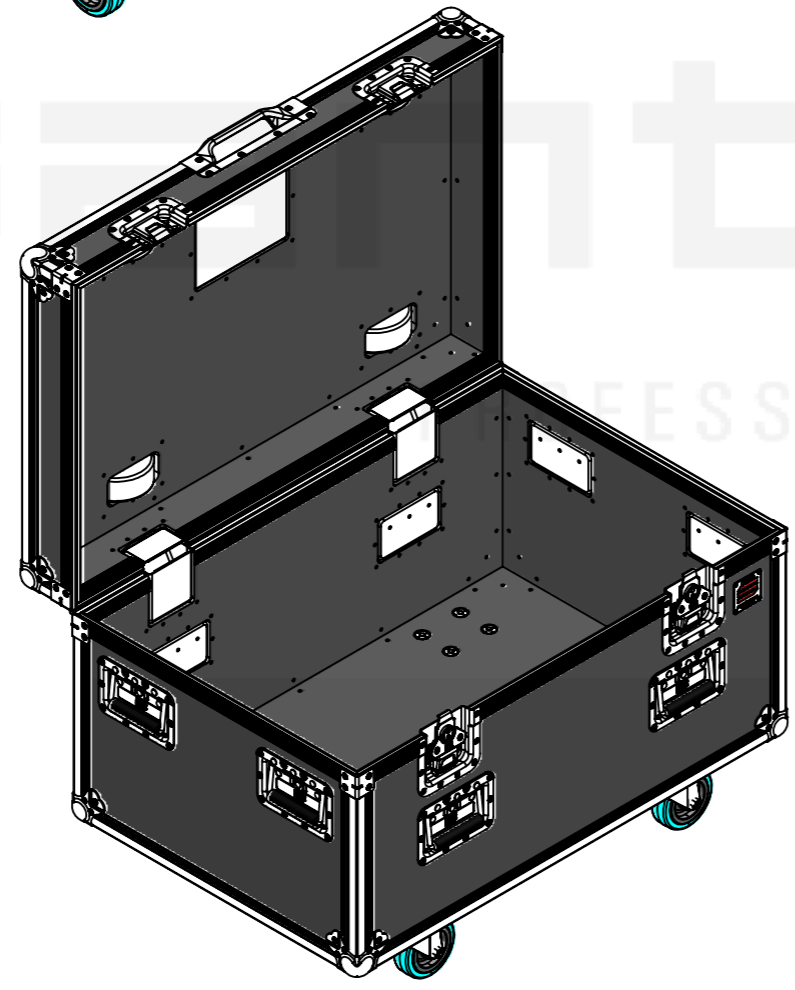


Internal Dimensions		
Width	Depth	Height
856	556	436
Weight	Approx. 31 Kg	
Wall Thickness	10mm	



Optional printing plate



General External Dimensions		Usable Inner Dimensions		Wood Inner Dimensions	
W	Width	Wi	Inside Width	WWi	Wood Inside Width
D	Depth	Di	Inside Depth	WDi	Wood Inside Depth
H	Height	Hi	Inside Height	WHi	Wood Inside Height

A3 This drawing must not be copied or disclosed without consent of the owner

Drawn by	Name	Date
jose.couto	jose.couto	02/09/2025
Reference	X1AAR.0906048	
Scale	units in mm	general tolerance
1:1	DO NOT SCALE	0.8mm
1st Angle projection	Malão X1 90.60.48 (86x56x44cm WID)	

