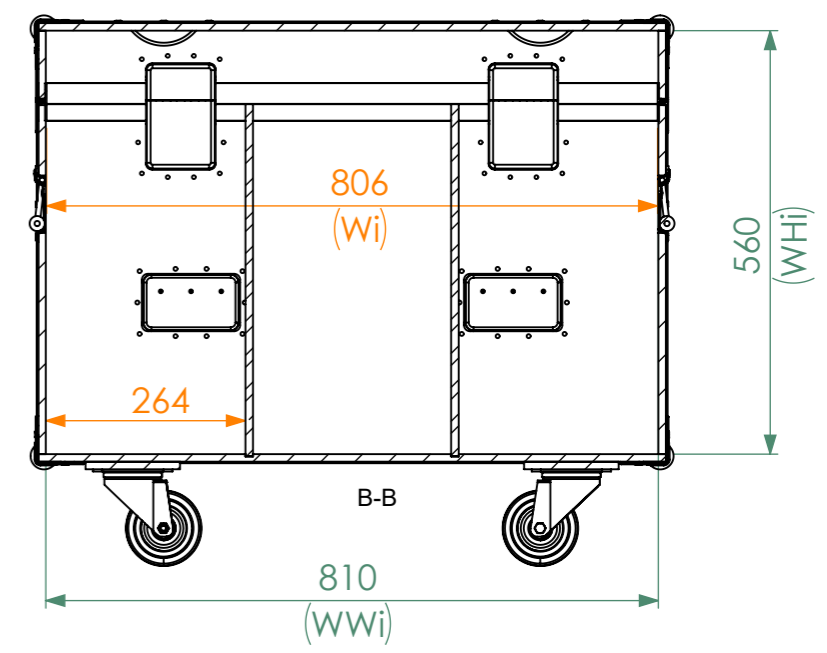
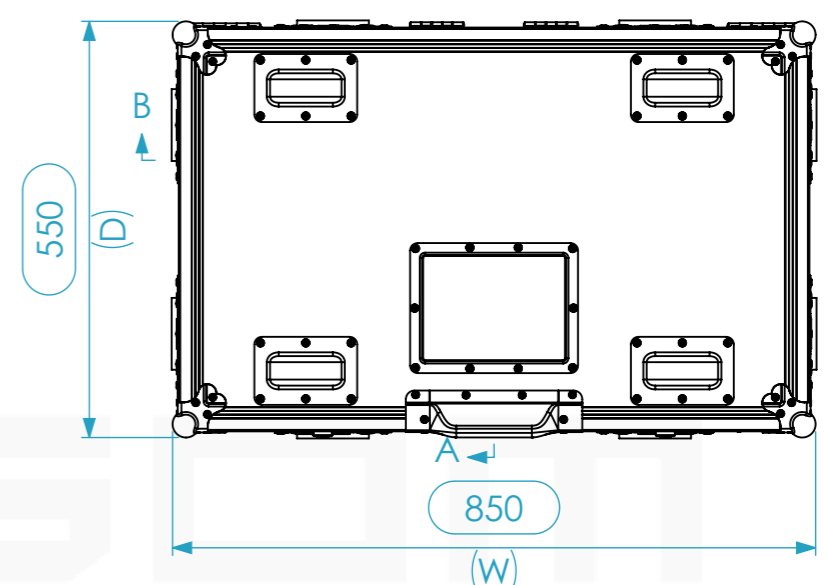
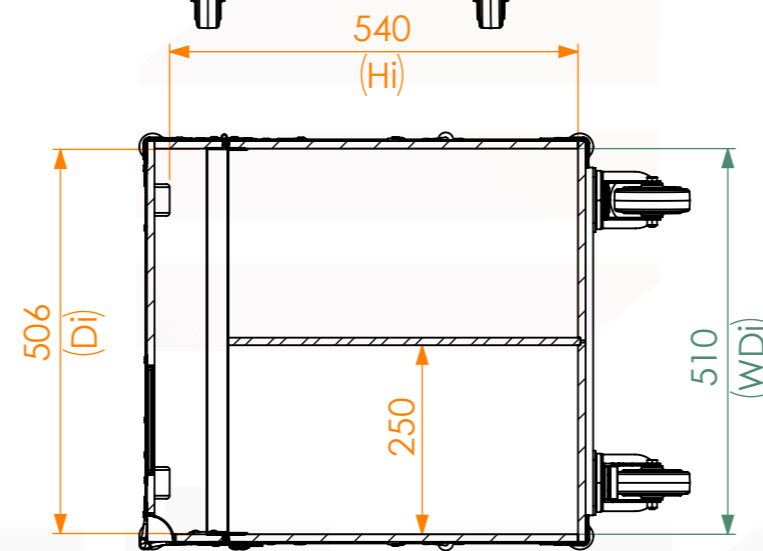
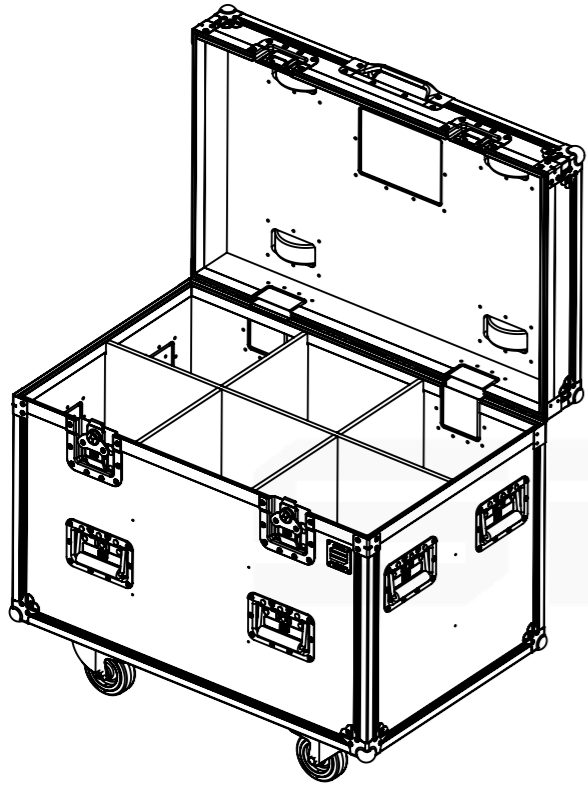
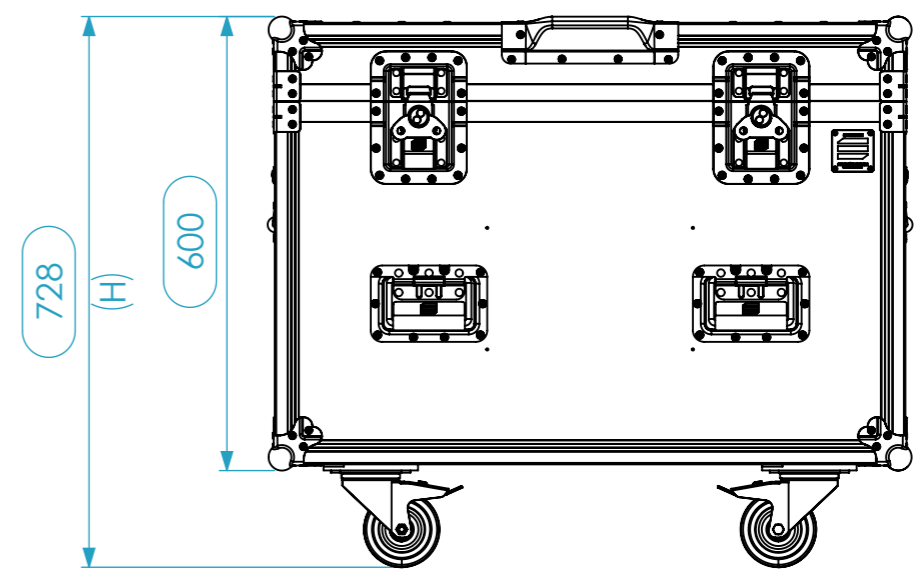
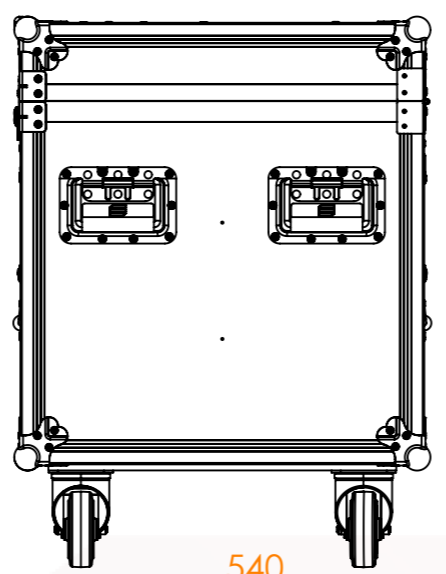


Internal Dimensions		
Width	Depth	Height
806	506	556
Weight	Approx. 37 Kg	
Wall Thickness		10mm



General External Dimensions		Usable Inner Dimensions (UID)		Wood Inner Dimensions (WID)	
W	Width	Wi	Inside Width	WWi	Wood Inside Width
D	Depth	Di	Inside Depth	WDi	Wood Inside Depth
H	Height	Hi	Inside Height	WHi	Wood Inside Height

Name	Date
Drawn by CatarinaHenriques	14/09/2018
Reference	X1AAR.0855560.06C
Scale	1:10
units in mm	general tolerance 0.8mm
DO NOT SCALE	



This drawing must not be copied or disclosed without consent of the owner



A3