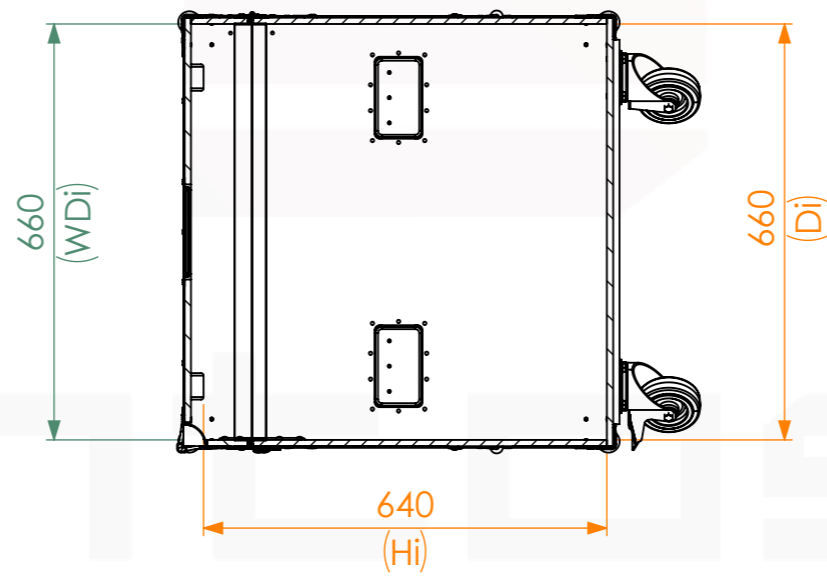
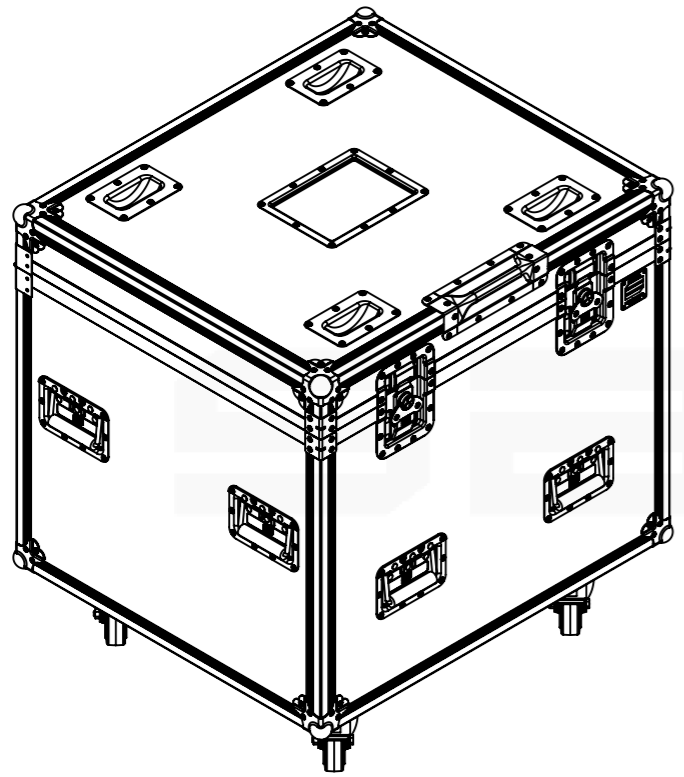
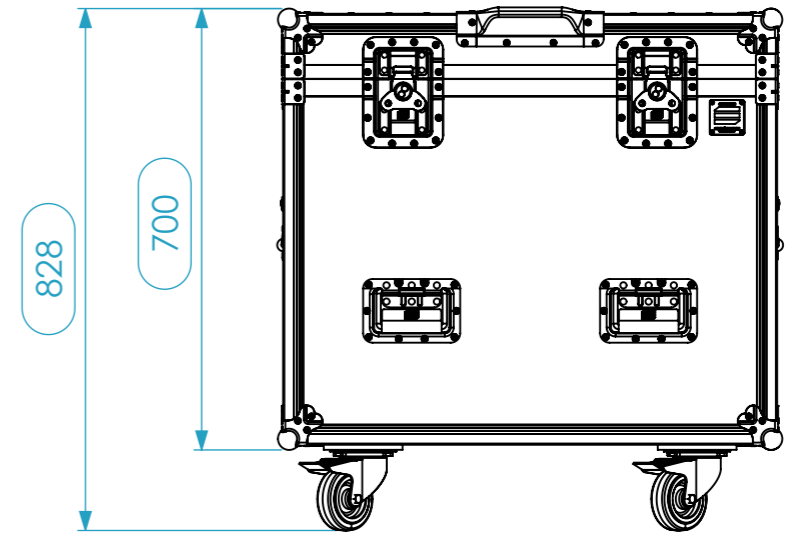
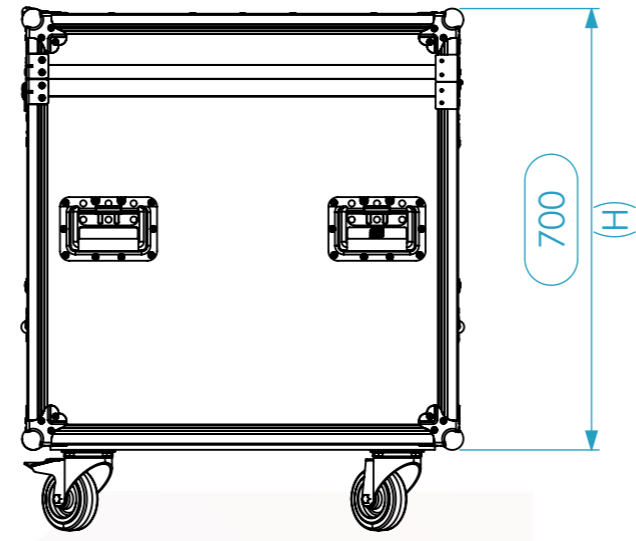
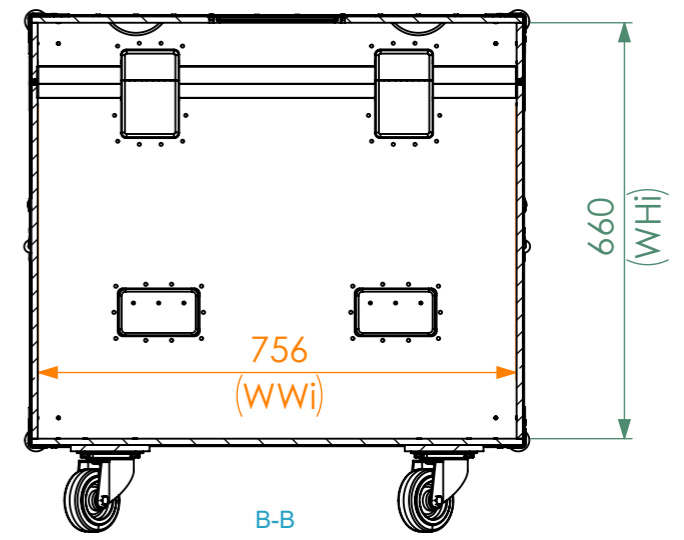
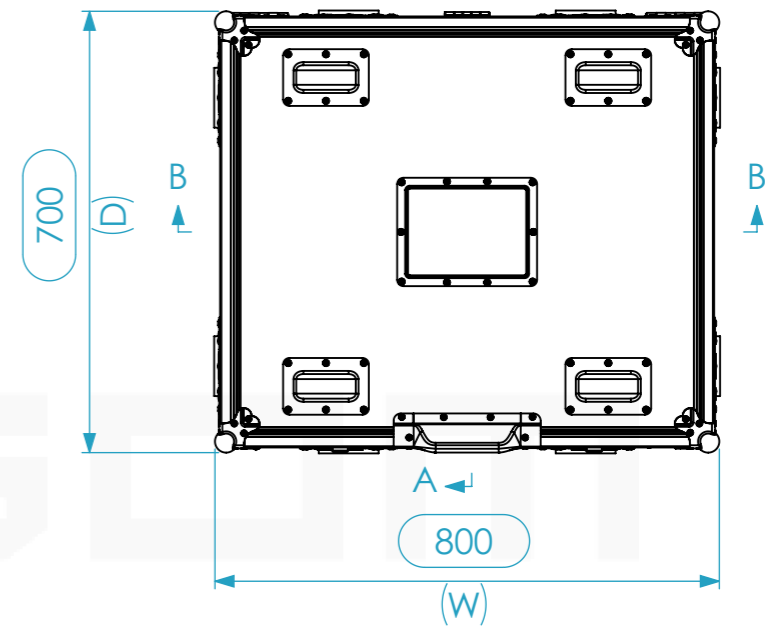


Internal Dimensions		
Width	Depth	Height
756	656	640
Weight	Approx. 35 Kg	
Wall Thickness	10mm	



A-A
SCALE 1 : 12



B-B
SCALE 1 : 12

General External Dimensions		Usable Inner Dimensions (UID)		Wood Inner Dimensions (WID)	
W	Width	Wi	Inside Width	WWi	Wood Inside Width
D	Depth	Di	Inside Depth	WDi	Wood Inside Depth
H	Height	Hi	Inside Height	WHi	Wood Inside Height

This drawing must not be copied or disclosed without consent of the owner

Drawn by	ricardocosta	Date	24/04/2019
Reference	X1AAR.0807070.06Q		
Scale	1:15	units in mm	general tolerance 0.8mm
1st Angle projection		FC PRO-P, 6x PROJ 32.31	

