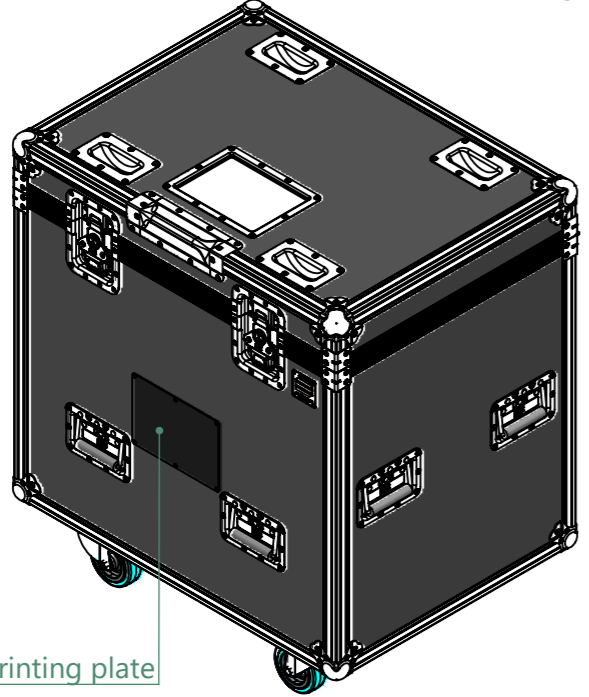
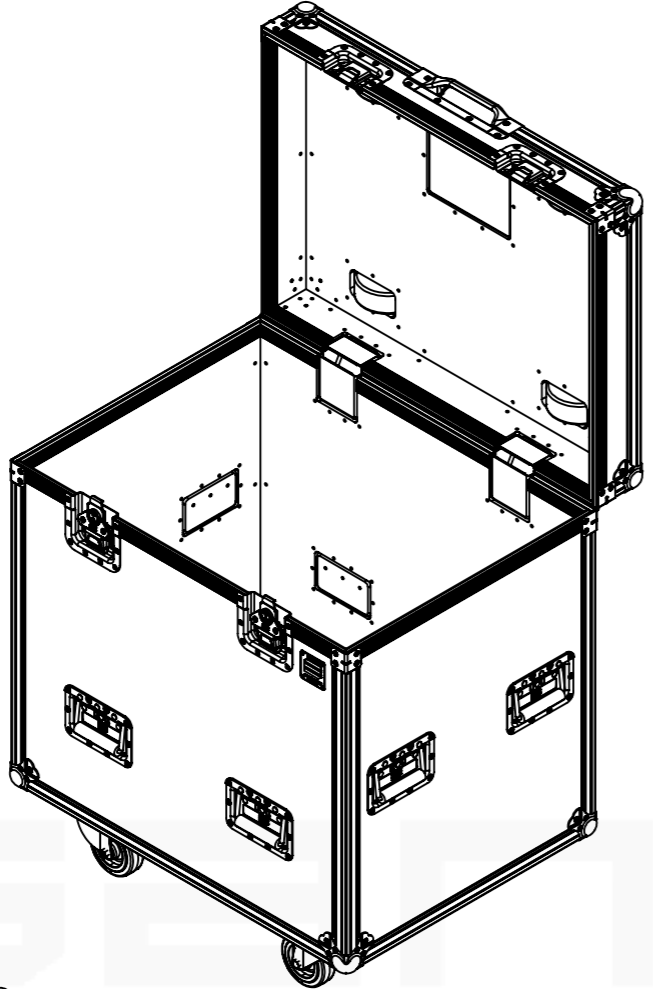
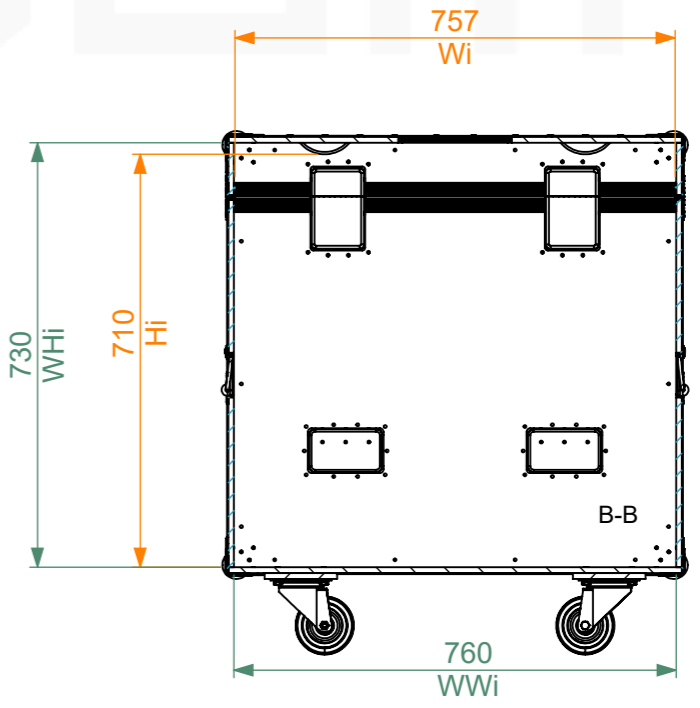
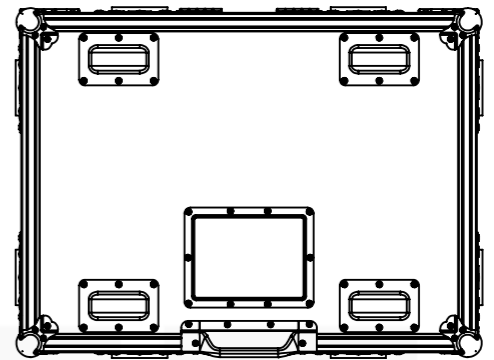
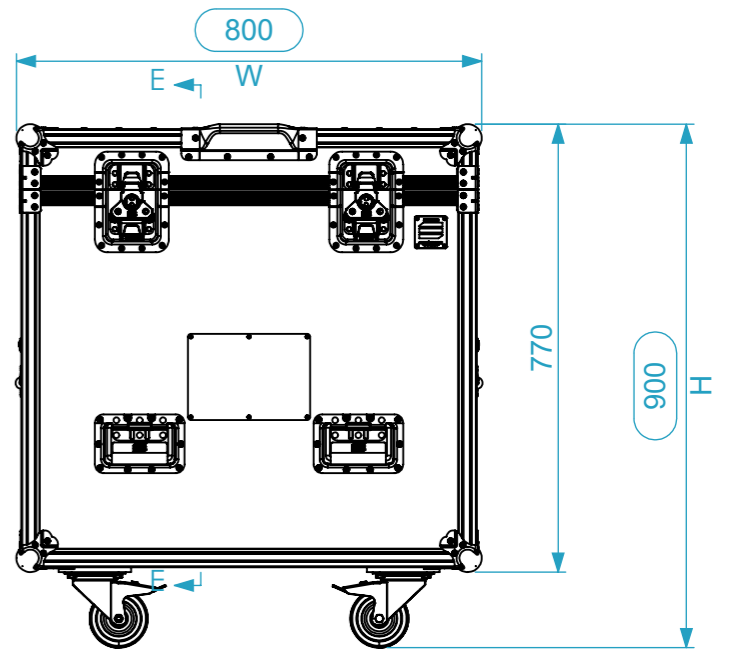
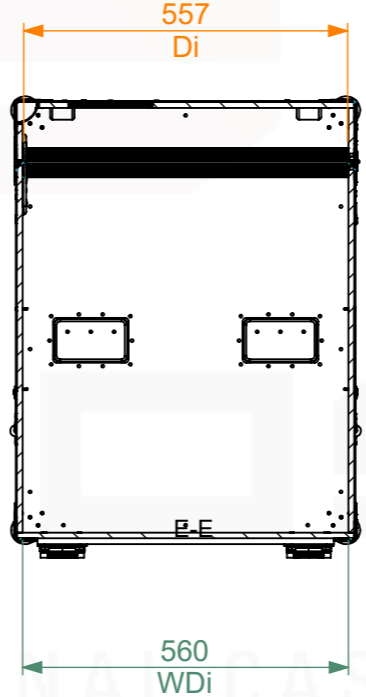
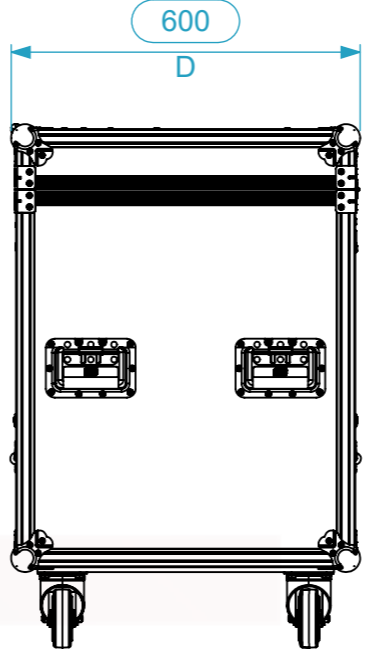


Internal Dimensions		
Width	Depth	Height
756	556	726
Weight	Approx. 35 Kg	
Wall Thickness	10mm	



Optional printing plate



General External Dimensions		Usable Inner Dimensions		Wood Inner Dimensions	
W	Width	Wi	Inside Width	WWi	Wood Inside Width
D	Depth	Di	Inside Depth	WDi	Wood Inside Depth
H	Height	Hi	Inside Height	WHi	Wood Inside Height

This drawing must not be copied or disclosed without consent of the owner

Drawn by	Name	Date
jose.couto	jose.couto	26/05/2026
Reference	X2AAR.0806070	
Scale	units in mm	general tolerance
1:13	DO NOT SCALE	0.8mm
Trunk X1		
80.60.70 (76x56x66 WID)		

