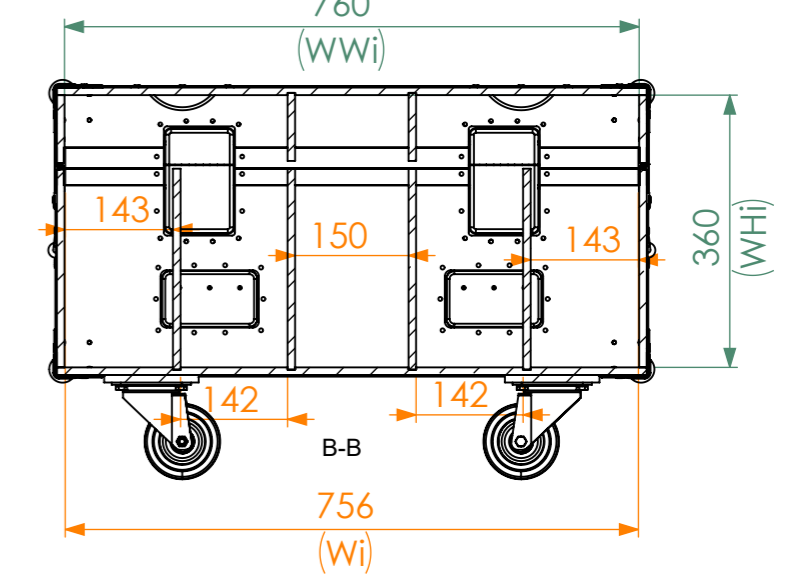
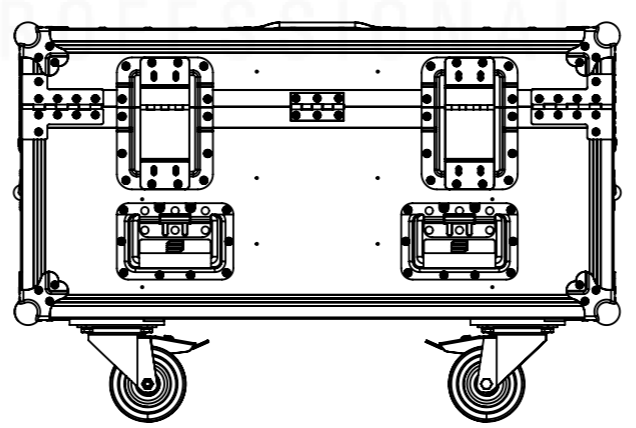
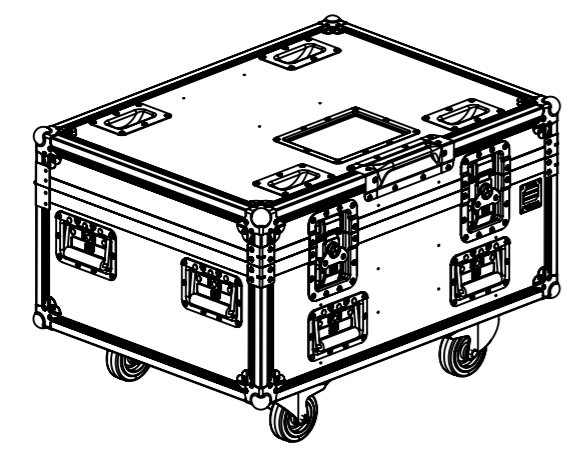
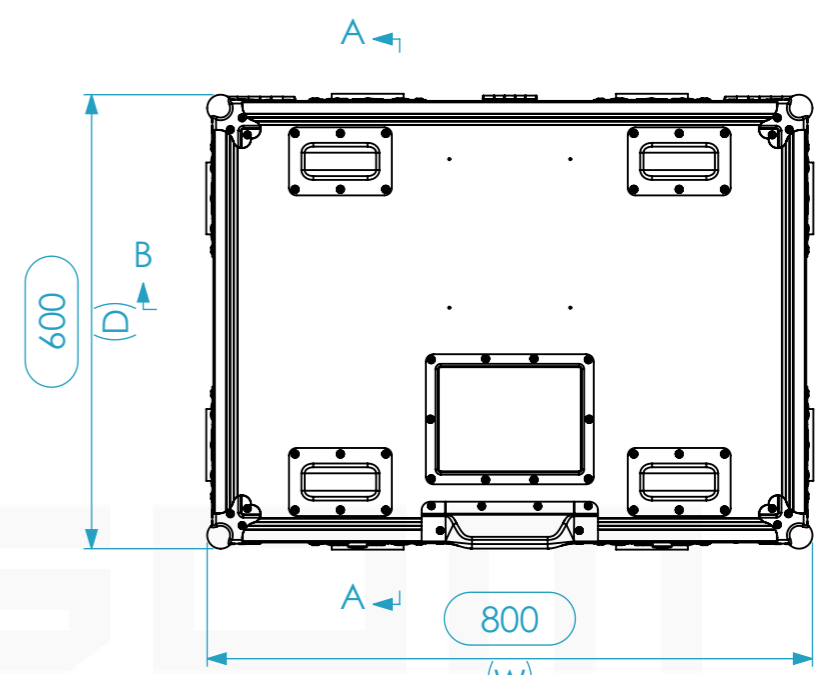
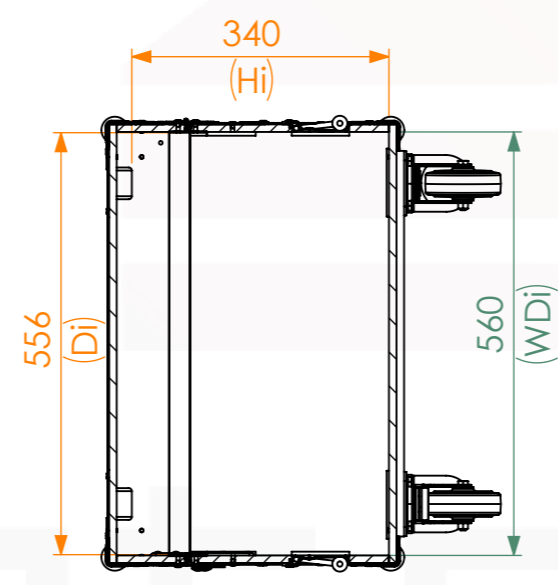
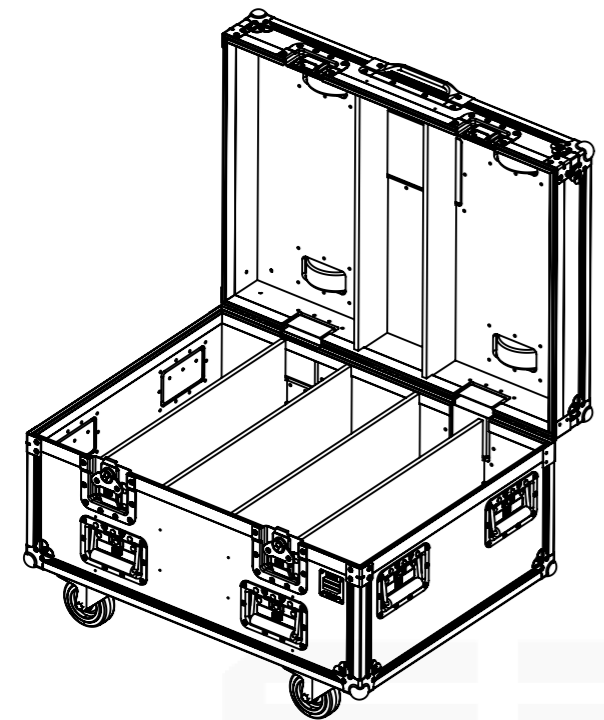
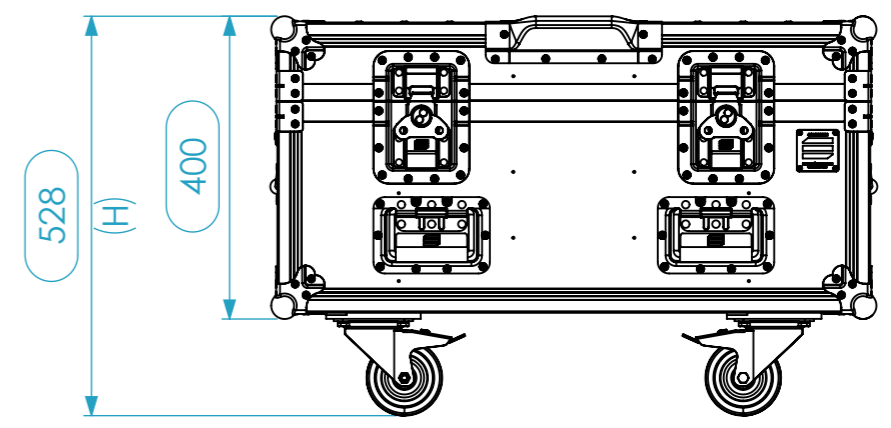
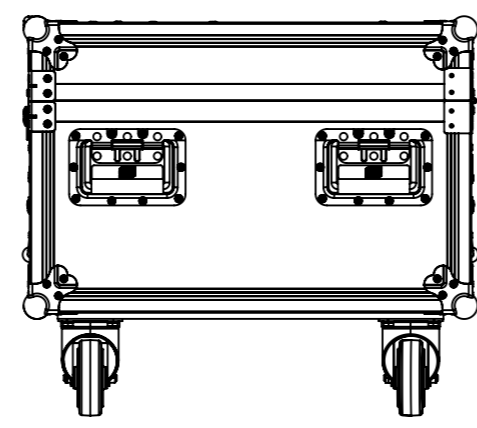


Internal Dimensions		
Width	Depth	Height
756	556	356
Weight	Approx. 32 Kg	
Wall Thickness	10mm	



General External Dimensions		Usable Inner Dimensions (UID)		Wood Inner Dimensions (WID)	
W	Width	Wi	Inside Width	WWi	Wood Inside Width
D	Depth	Di	Inside Depth	WDi	Wood Inside Depth
H	Height	Hi	Inside Height	WHi	Wood Inside Height

This drawing must not be copied or disclosed without consent of the owner

Drawn by	Name	Date
CatarinaHenriques	CatarinaHenriques	27/03/2019
Reference	X1AAR.0806040.05A	
Scale	units in mm	general tolerance
1:10	DO NOT SCALE	0.8mm
1st Angle projection	FC PRO1, 4X PROJ (756X556X356 UID)	

