

| Internal Dimensions | | |
|---------------------|---------------|--------|
| Width | Depth | Height |
| 756 | 506 | 420 |
| Weight | Approx. 27 Kg | |
| Wall Thickness | 10mm | |

General External Dimensions

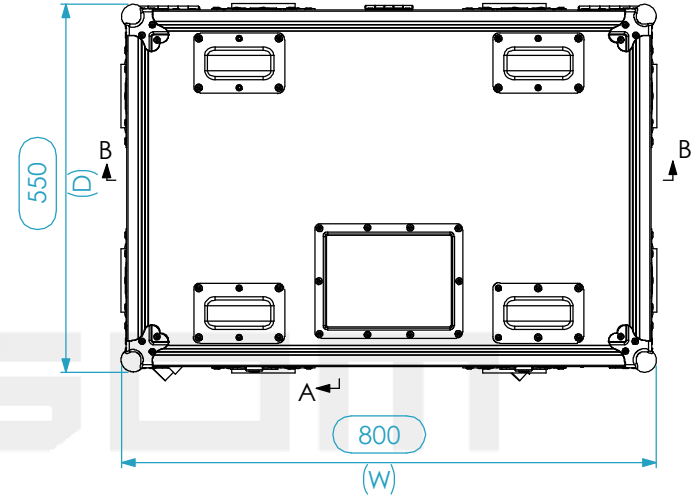
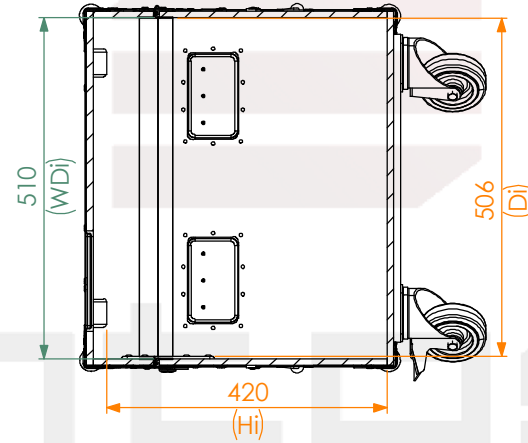
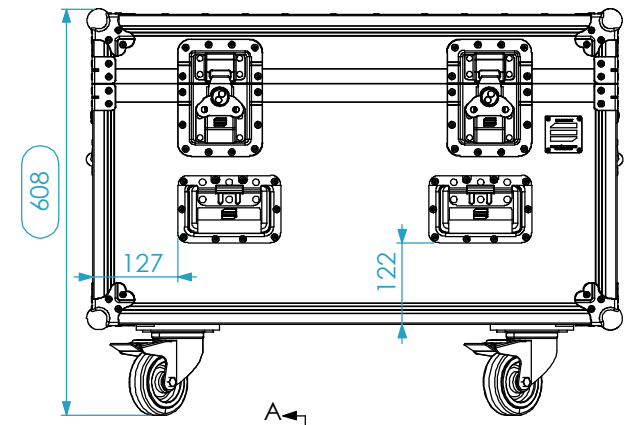
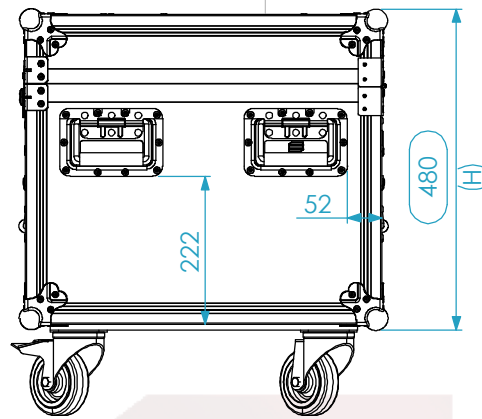
| | |
|---|--------|
| W | Width |
| D | Depth |
| H | Height |

Usable Inner Dimensions (UID)

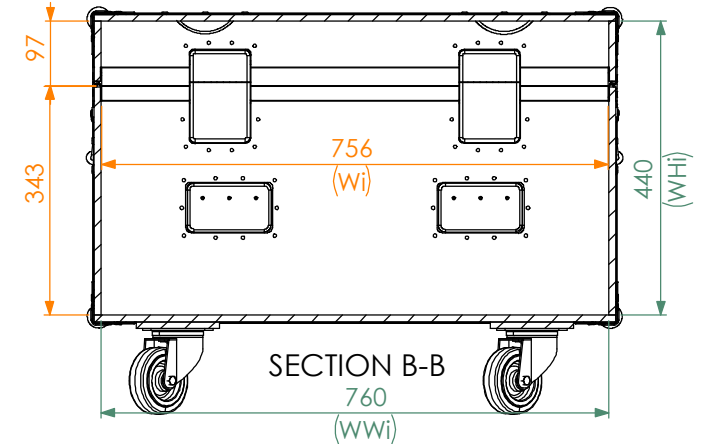
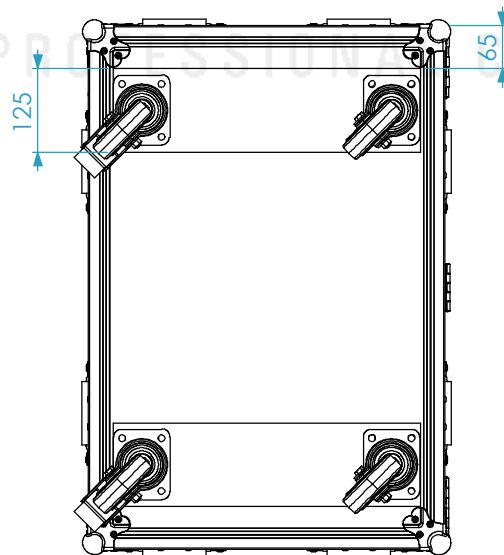
| | |
|----|---------------|
| Wi | Inside Width |
| Di | Inside Depth |
| Hi | Inside Height |

Wood Inner Dimensions (WID)

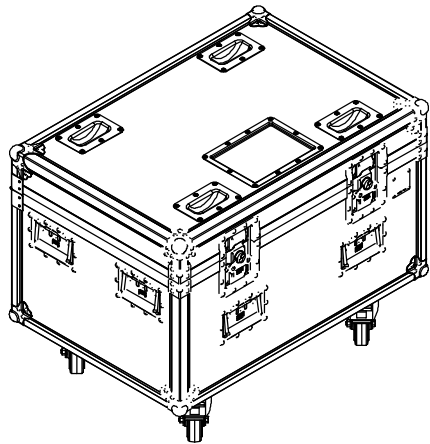
| | |
|-----|--------------------|
| WWi | Wood Inside Width |
| WDi | Wood Inside Depth |
| WHi | Wood Inside Height |



SECTION A-A



SECTION B-B
760 (WWi)



This drawing must not be copied or disclosed without consent of the owner



| | | | |
|-----------|-----------------------|-------------|-------------------------|
| Scale | 1:8 | units in mm | general tolerance 0.8mm |
| Reference | X1AAR.0805548 | | |
| | FC. X1AA. 756X506X440 | | |

