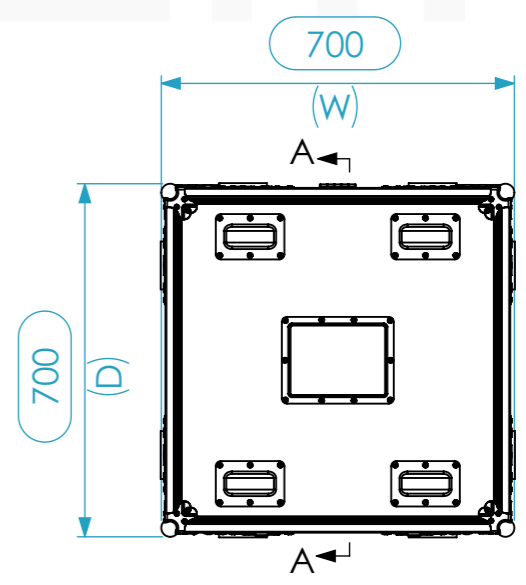
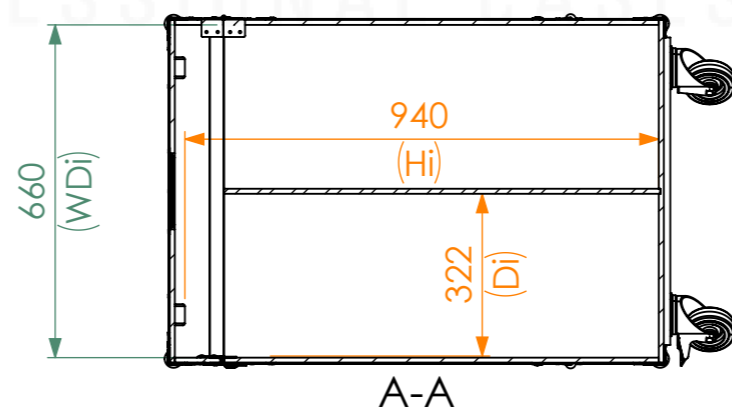
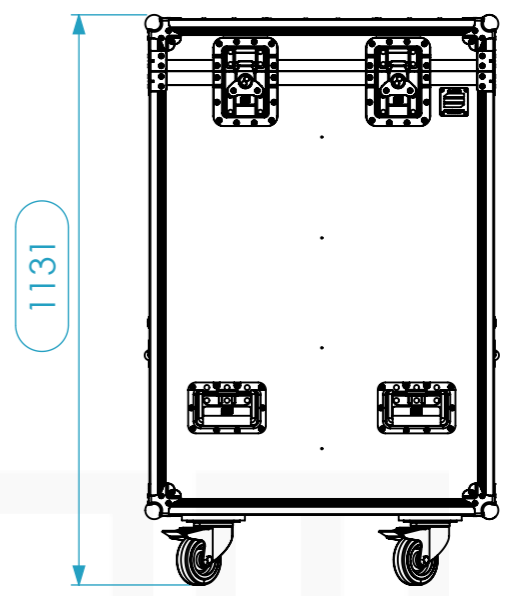
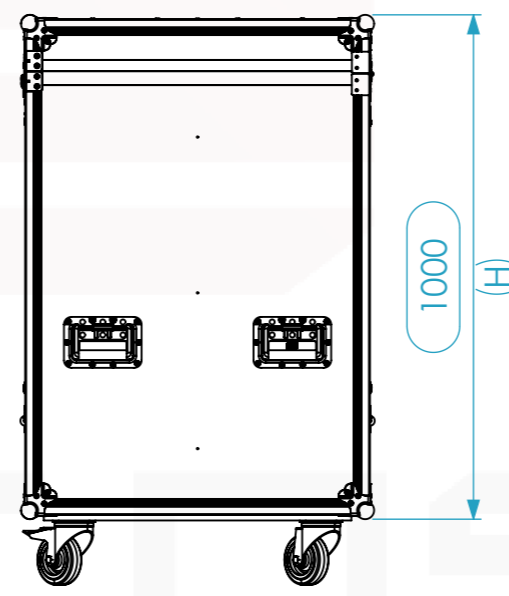
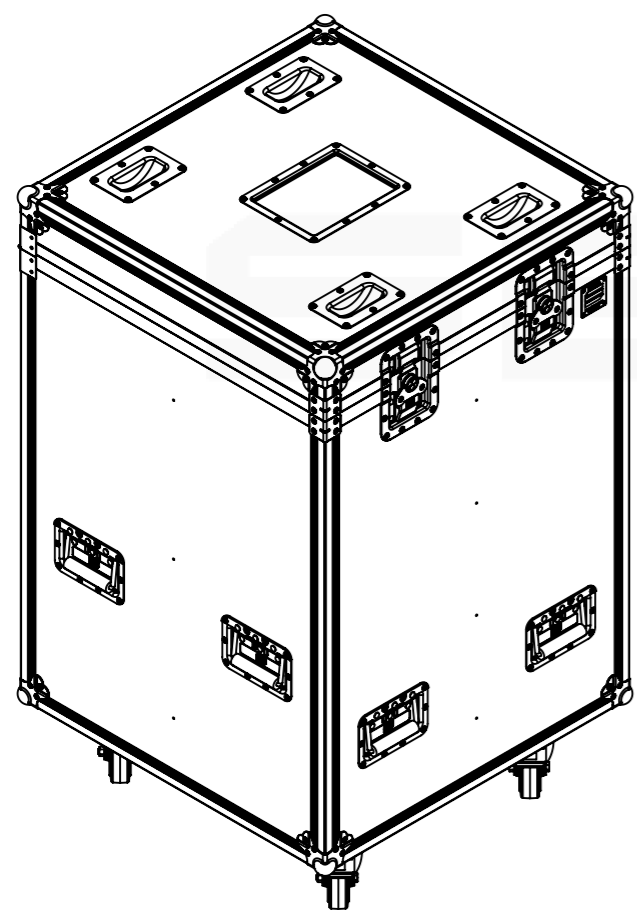
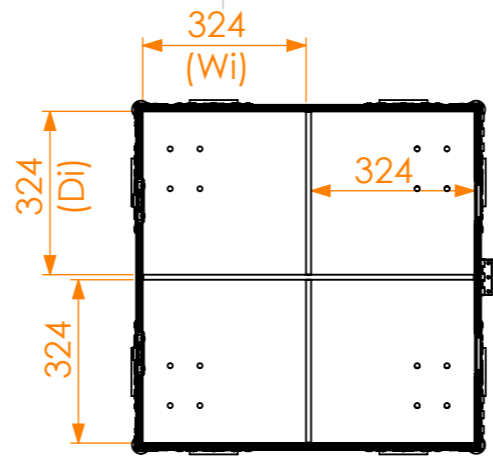


| Internal Dimensions | | |
|---------------------|---------------|--------|
| Width | Depth | Height |
| 656 | 656 | 940 |
| Weight | Approx. 47 Kg | |
| Wall Thickness | 10mm | |

| General External Dimensions | |
|-------------------------------|--------------------|
| W | Width |
| D | Depth |
| H | Height |
| Usable Inner Dimensions (UID) | |
| Wi | Inside Width |
| Di | Inside Depth |
| Hi | Inside Height |
| Wood Inner Dimensions (WID) | |
| WWi | Wood Inside Width |
| WDi | Wood Inside Depth |
| WHi | Wood Inside Height |



This drawing must not be copied or disclosed without consent of the owner

| | | |
|----------------------|--|-------------------|
| Drawn by | Name | Date |
| CatarinaDuque | CatarinaDuque | 09-03-2018 |
| Reference | X1AAR.0707010.04C | |
| Scale | units in mm | general tolerance |
| 1:15 | DO NOT SCALE | 0.8mm |
| 1st Angle projection | FC, X1AA, 656X656X956 Spaces: 324x324 | |

