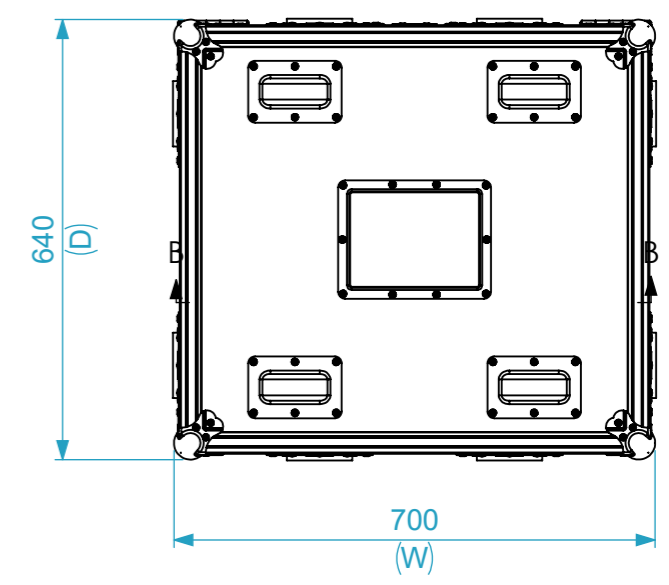
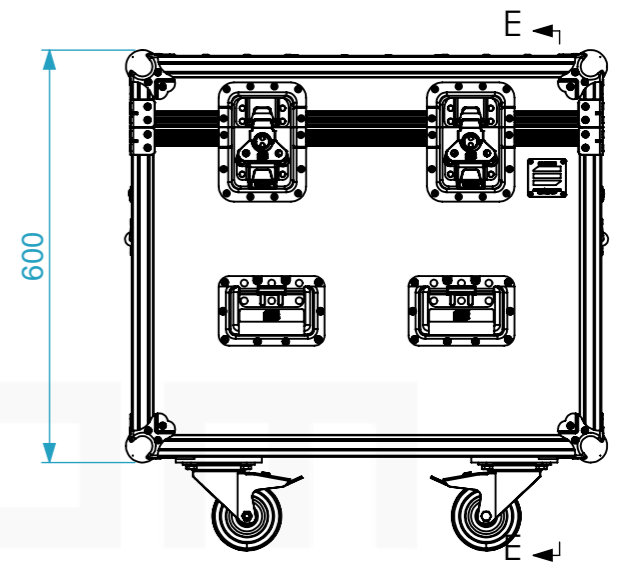
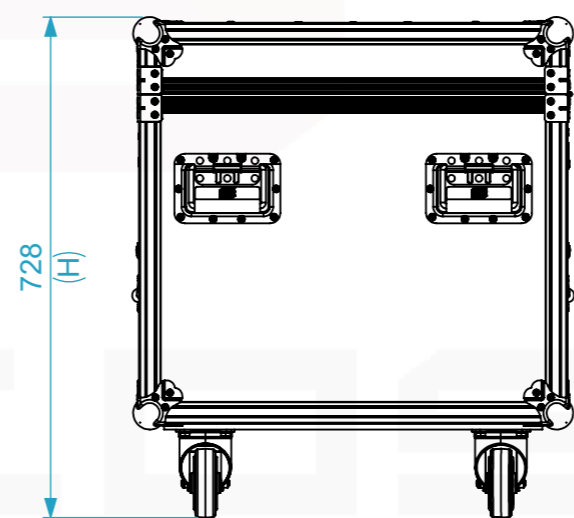
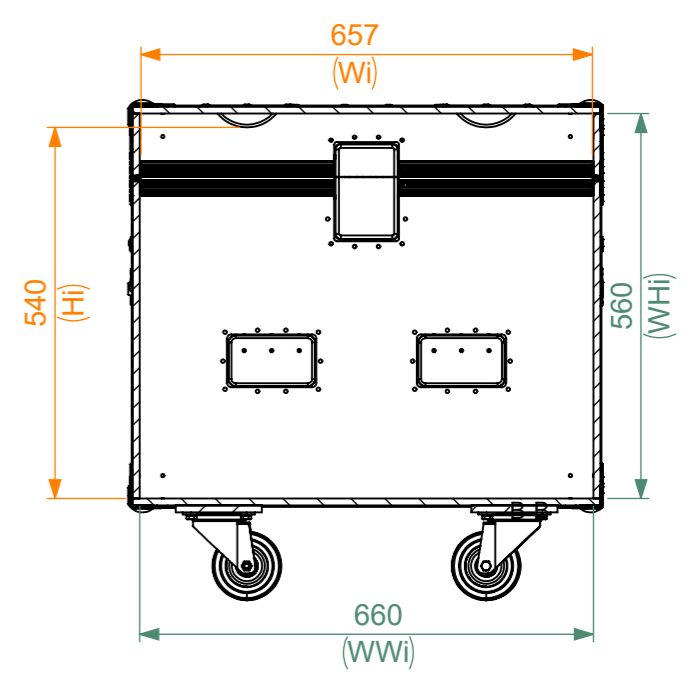
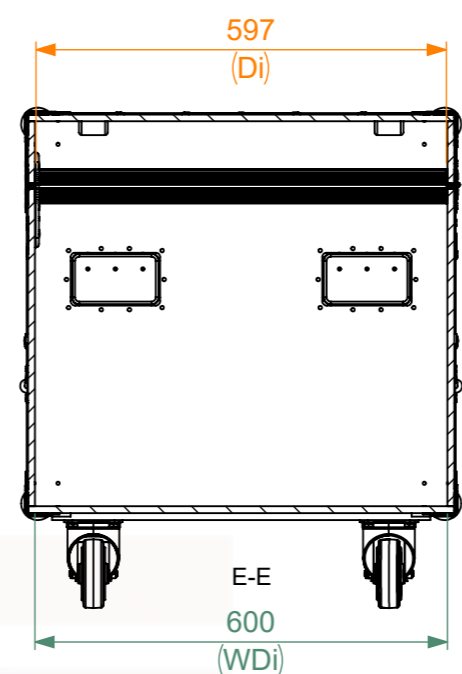
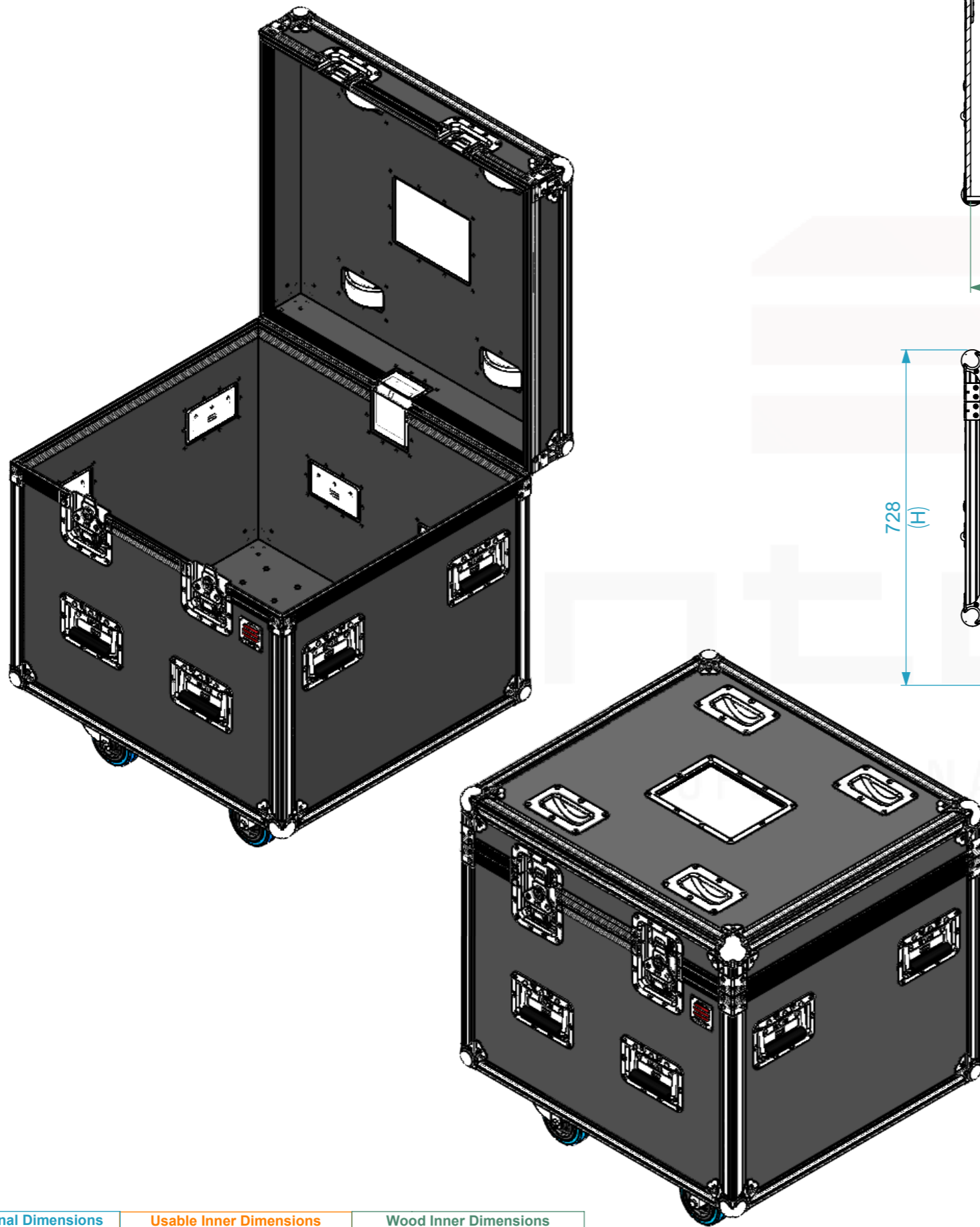


Internal Dimensions		
Width	Depth	Height
656	596	556
Weight	Approx. 30 Kg	
Wall Thickness	10mm	



General External Dimensions		Usable Inner Dimensions		Wood Inner Dimensions	
W	Width	Wi	Inside Width	WWi	Wood Inside Width
D	Depth	Di	Inside Depth	WDi	Wood Inside Depth
H	Height	Hi	Inside Height	WHi	Wood Inside Height

A3 This drawing must not be copied or disclosed without consent of the owner

Drawn by	alvaro.santos	Date	03/02/2023
Reference	X1AAR.0706460		
Scale	1:1	units in mm	general tolerance 0.8mm
		DO NOT SCALE	
	Maiboo PRO, X1 60.60.48 (556x556x506)		

