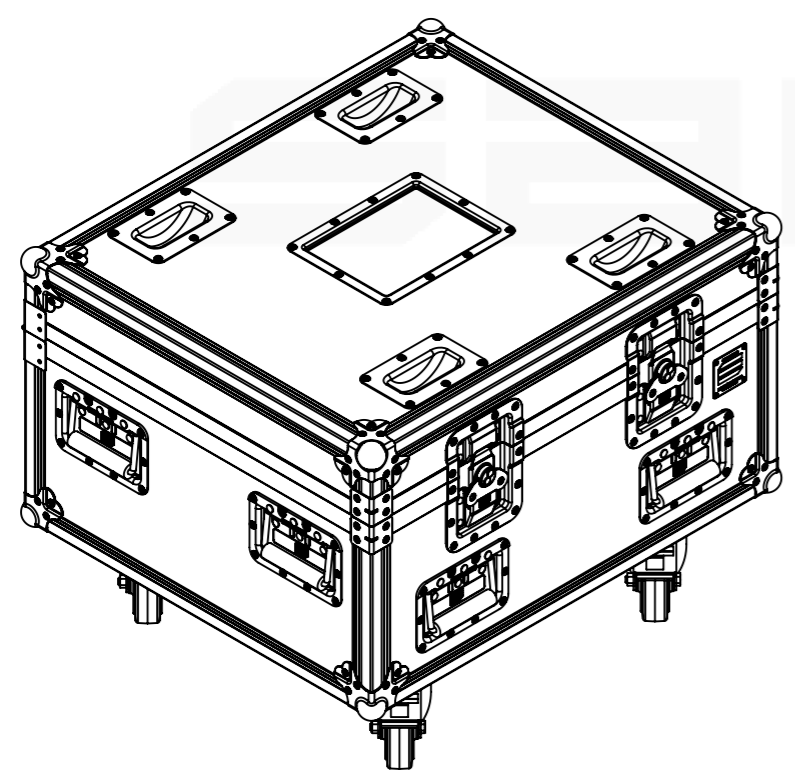
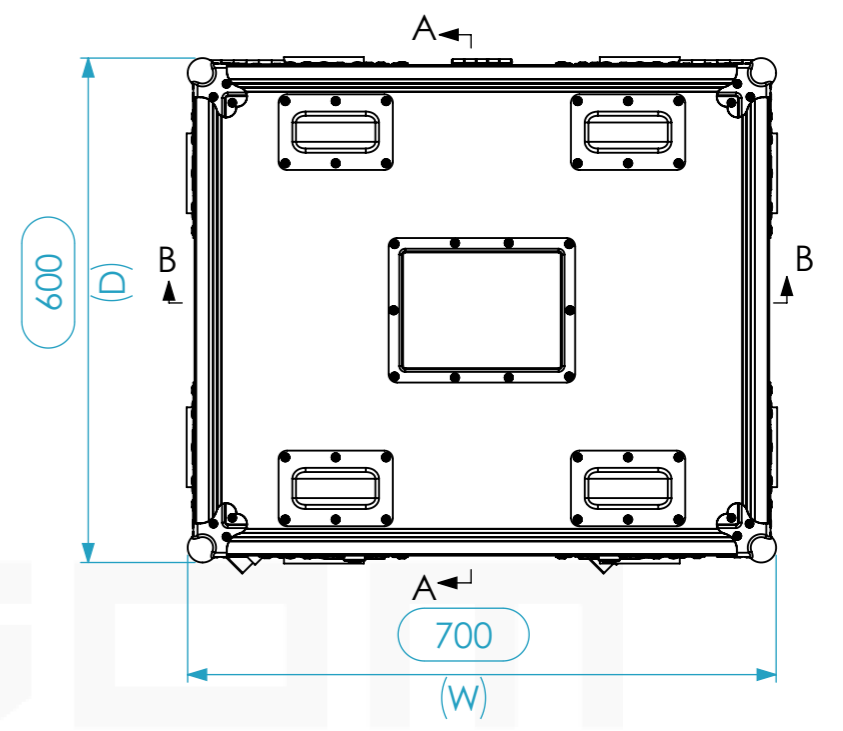
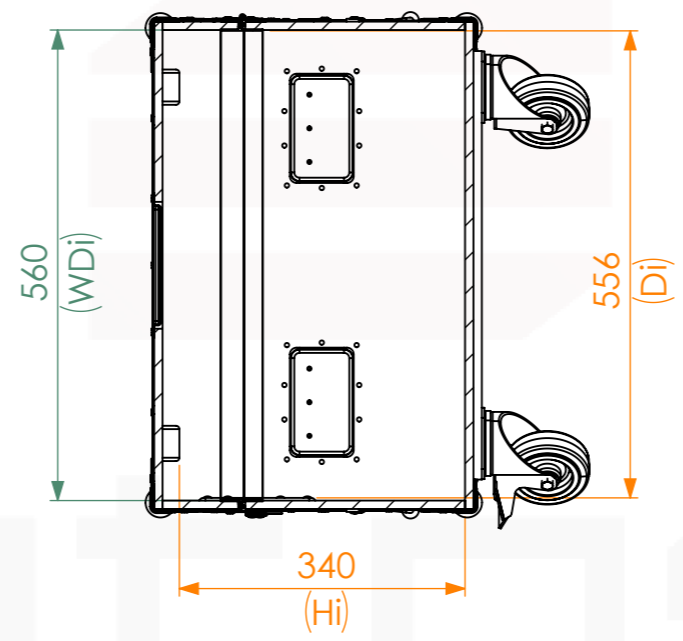
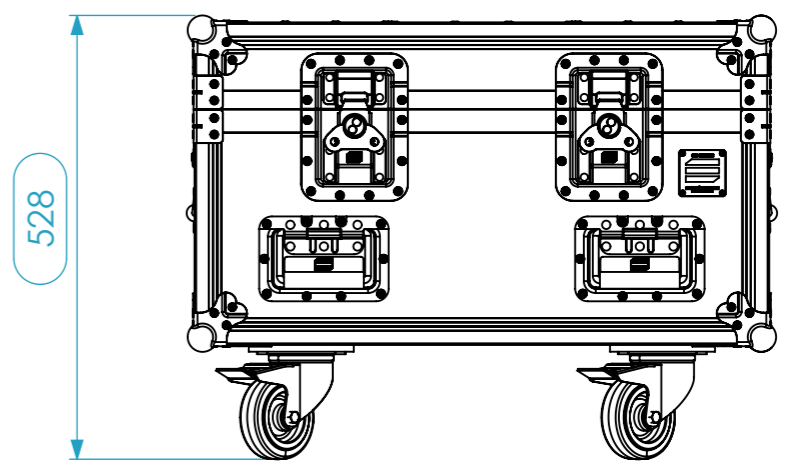
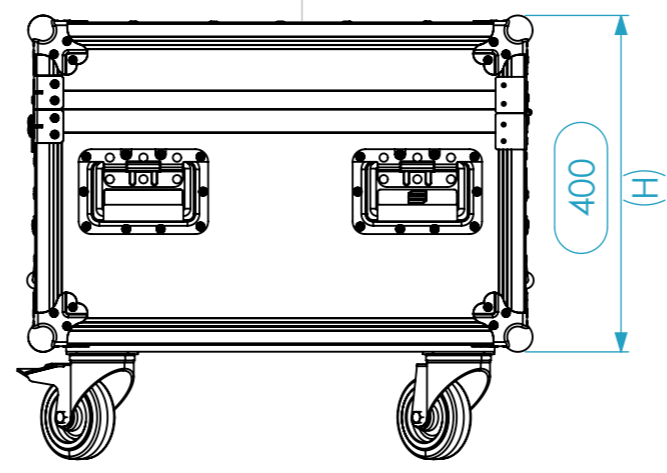
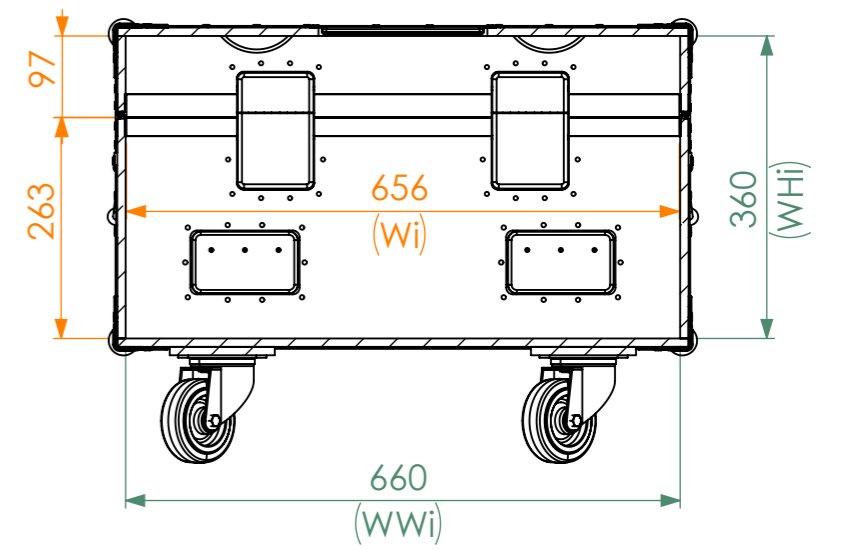


Internal Dimensions		
Width	Depth	Height
656	556	340
Weight	Approx. 25 Kg	
Wall Thickness	10mm	



SECTION A-A

SECTION B-B



General External Dimensions		Usable Inner Dimensions (UID)		Wood Inner Dimensions (WID)	
W	Width	Wi	Inside Width	WWi	Wood Inside Width
D	Depth	Di	Inside Depth	WDi	Wood Inside Depth
H	Height	Hi	Inside Height	WHi	Wood Inside Height

Name	Date
Drawn by	CatarinaHenriques 30/03/2018
Reference	X1AAR.0706040
Scale	1:9
units in mm	general tolerance 0.8mm
DO NOT SCALE	FC. X1AA. 656X556X360



This drawing must not be copied or disclosed without consent of the owner

A3

1st Angle projection