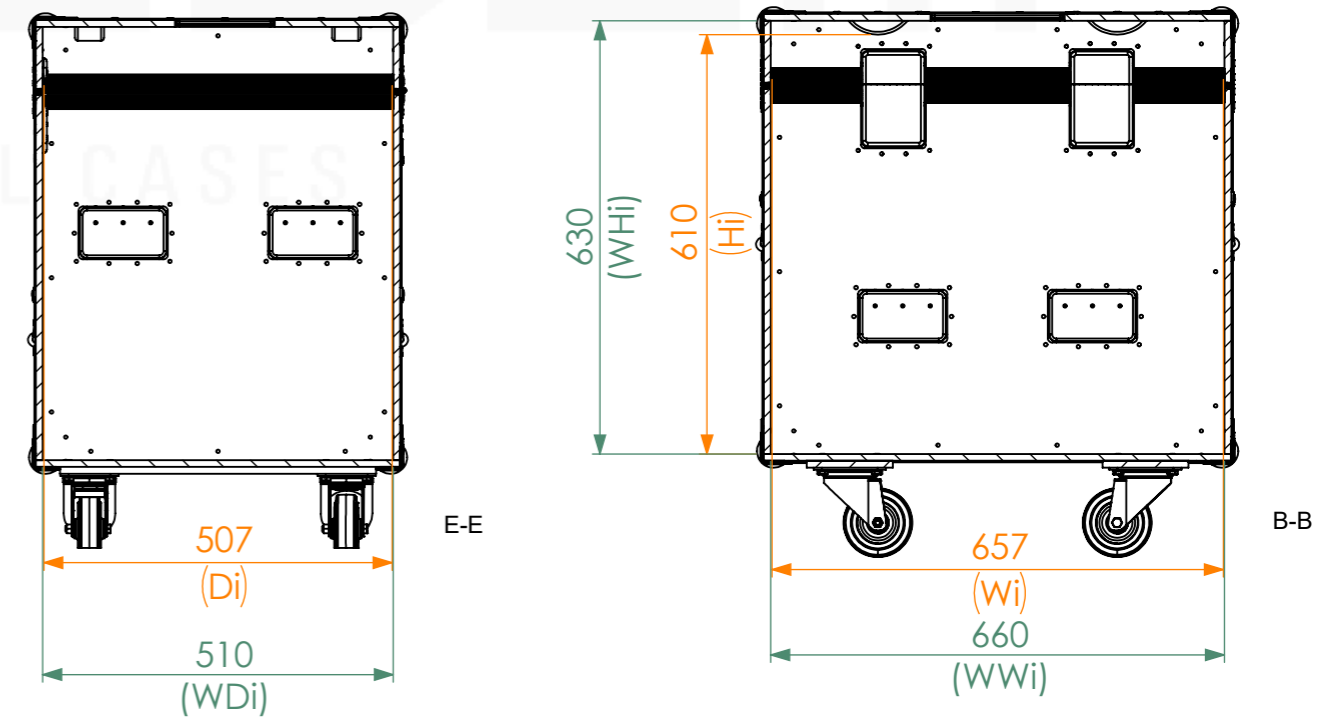
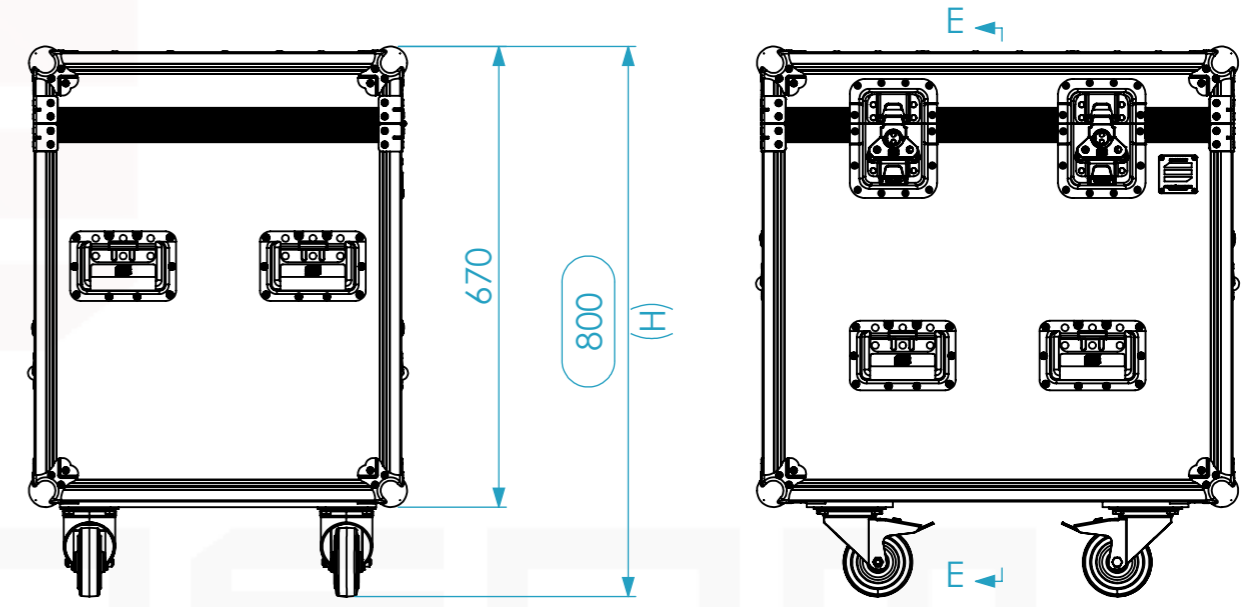
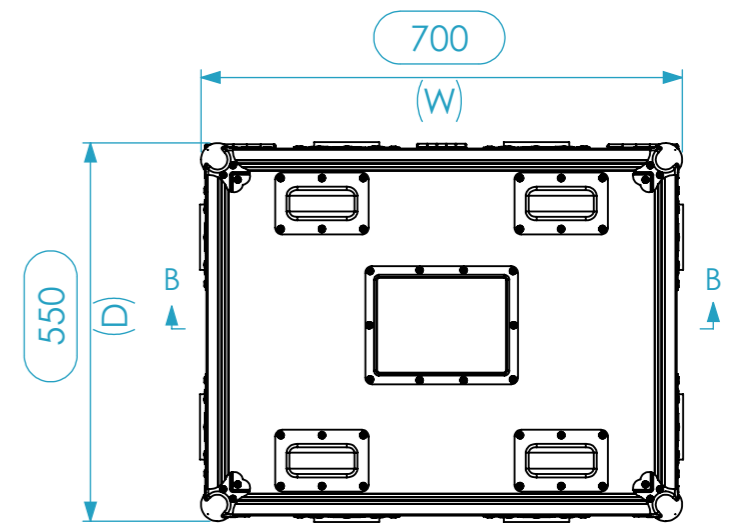
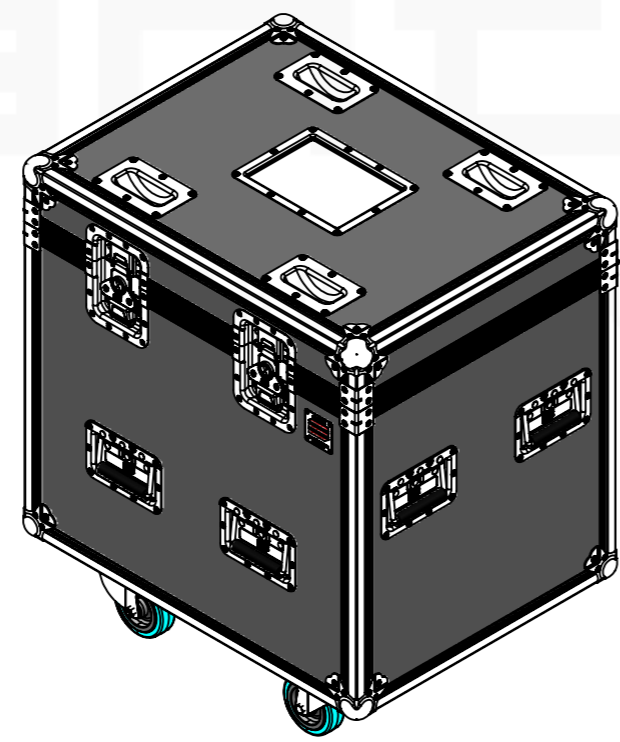
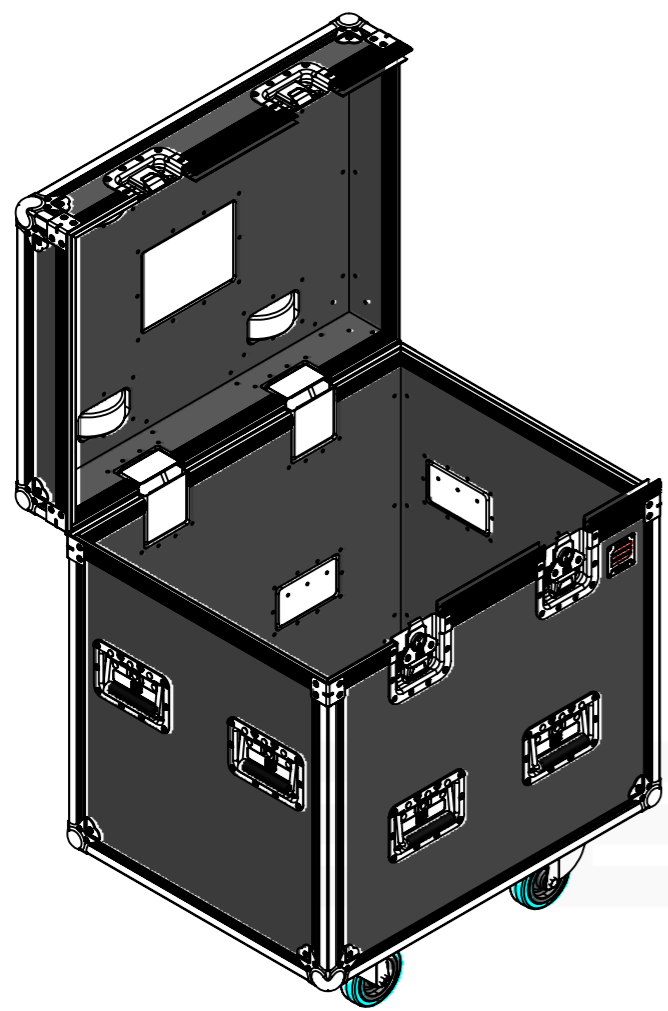


Internal Dimensions		
Width	Depth	Height
657	507	610
Weight	Approx. 29 Kg	
Wall Thickness		10mm



General External Dimensions		Usable Inner Dimensions		Wood Inner Dimensions	
W	Width	Wi	Inside Width	WWi	Wood Inside Width
D	Depth	Di	Inside Depth	WDi	Wood Inside Depth
H	Height	Hi	Inside Height	WHi	Wood Inside Height

Name	Date
Drawn by	projects
Date	12/06/2025
Reference	X1AAR.0705567
Scale	1:10
units in mm	general tolerance 0.8mm
DO NOT SCALE	
Malão PRO, 656x506x626	



This drawing must not be copied or disclosed without consent of the owner

A3

1st Angle projection