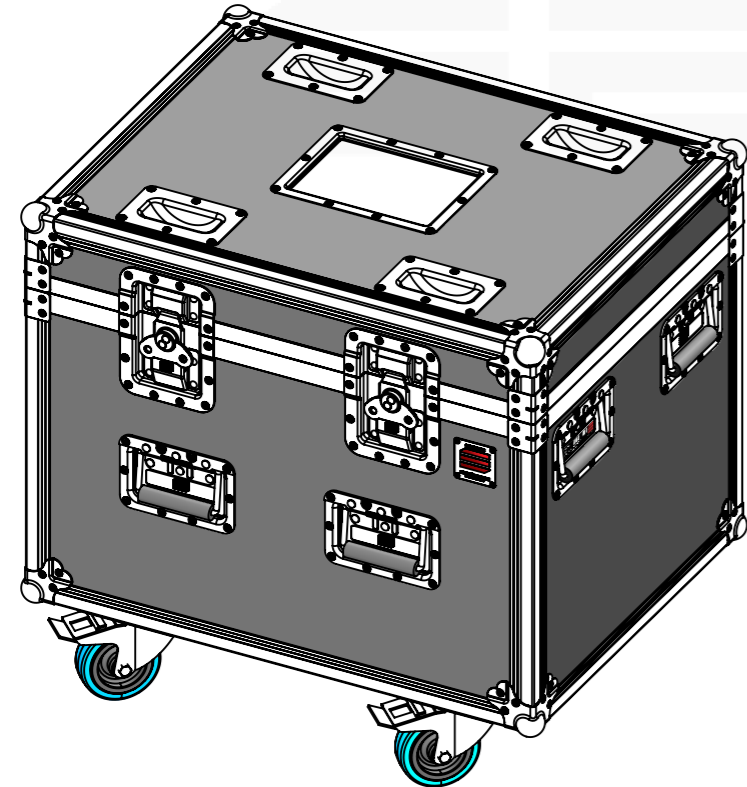
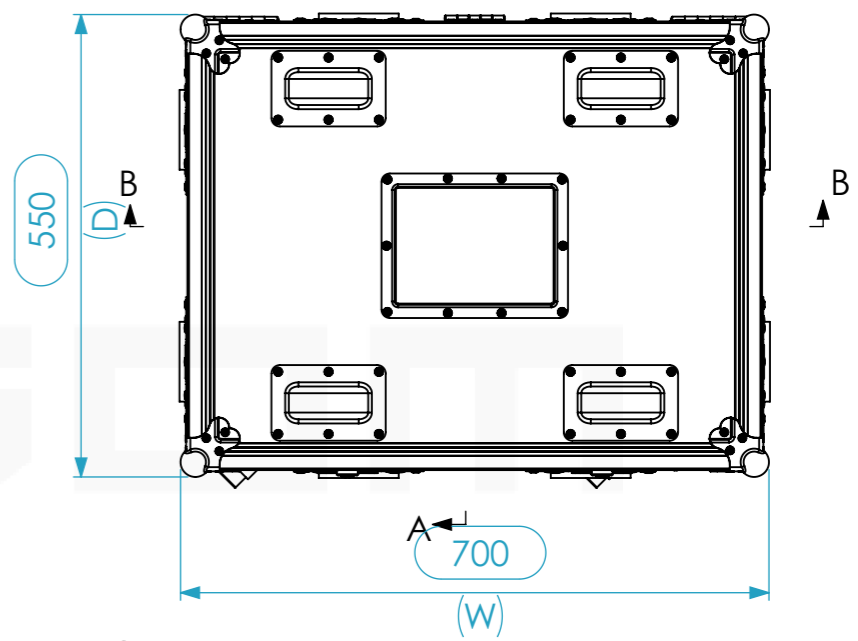
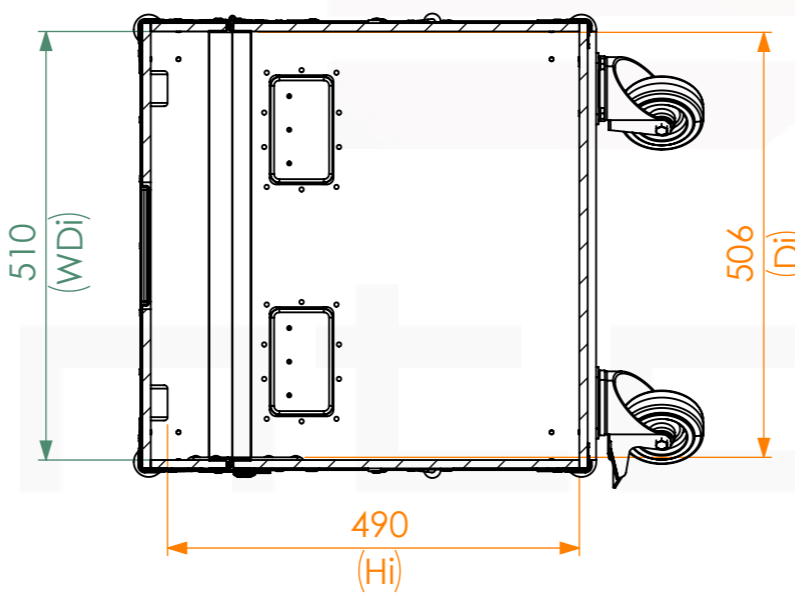
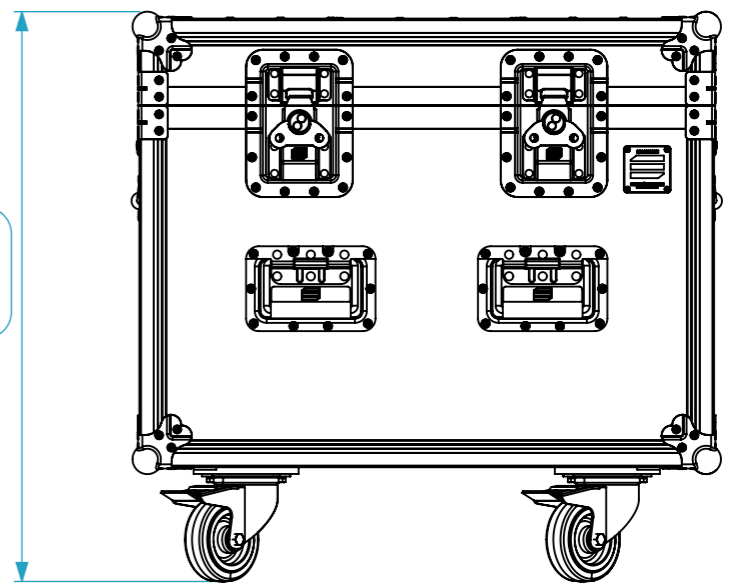
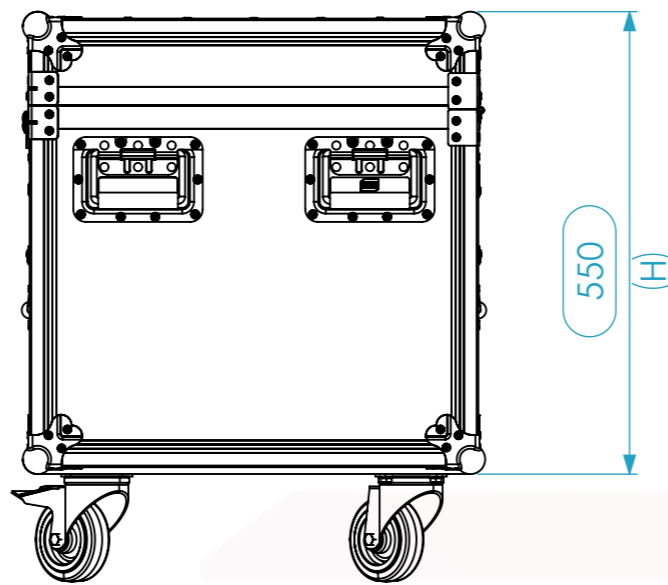
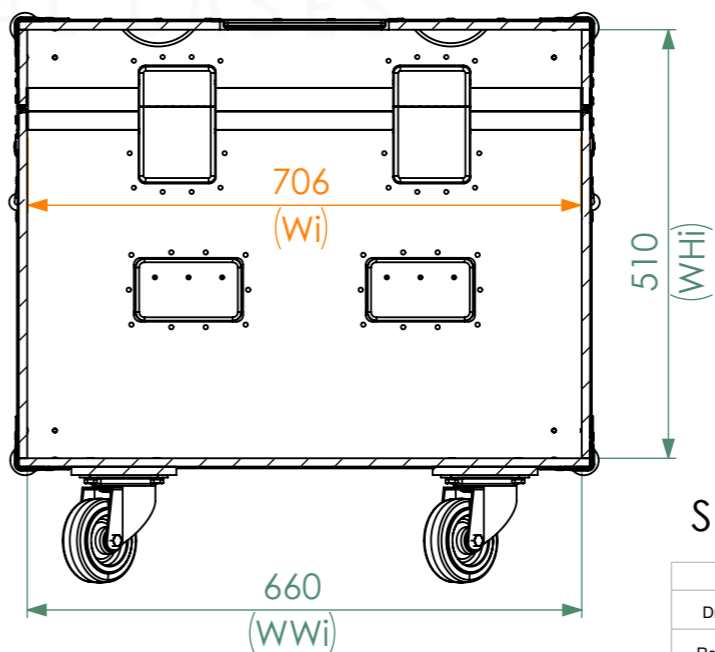


Internal Dimensions		
Width	Depth	Height
656	506	490
Weight	Approx. 27 Kg	
Wall Thickness	10mm	



SECTION A-A



SECTION B-B

General External Dimensions		Usable Inner Dimensions (UID)		Wood Inner Dimensions (WID)	
W	Width	Wi	Inside Width	WWi	Wood Inside Width
D	Depth	Di	Inside Depth	WDi	Wood Inside Depth
H	Height	Hi	Inside Height	WHi	Wood Inside Height

This drawing must not be copied or disclosed without consent of the owner

Drawn by	Name	Date
projects		21/11/2019
Reference	X1AAR.0756060	
Scale	units in mm	general tolerance
1:9	DO NOT SCALE	0.8mm
FC. X1AA. 706X556X560		

