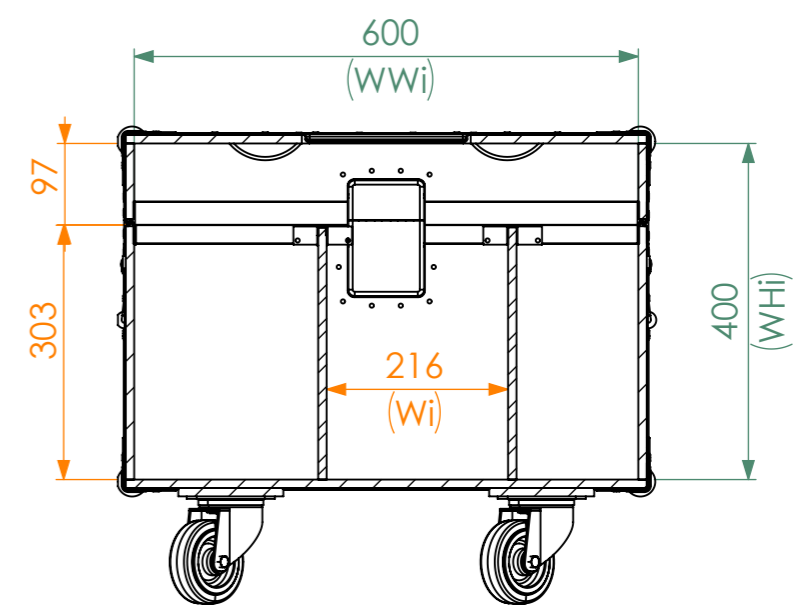
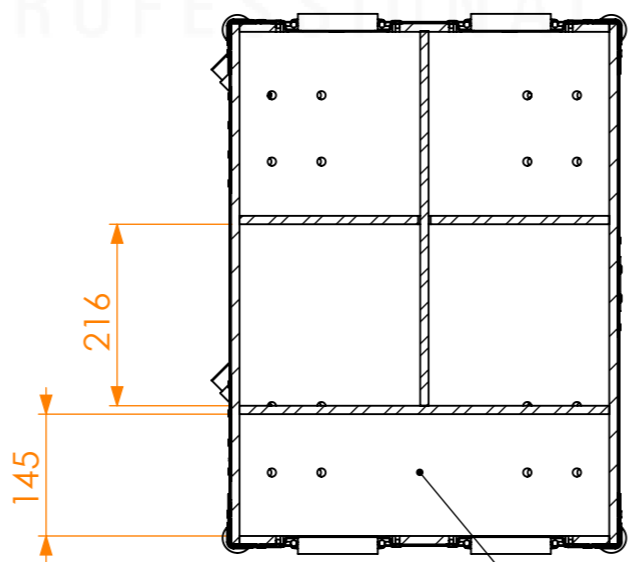
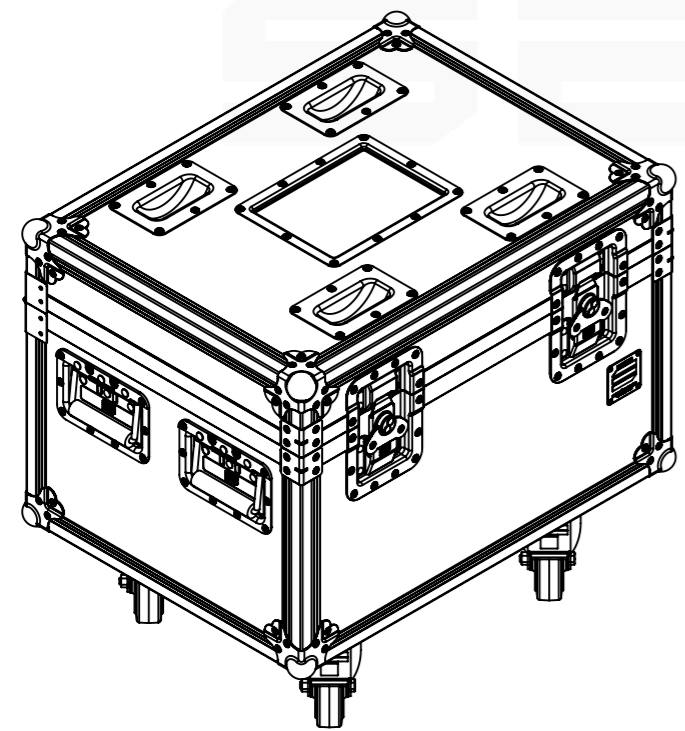
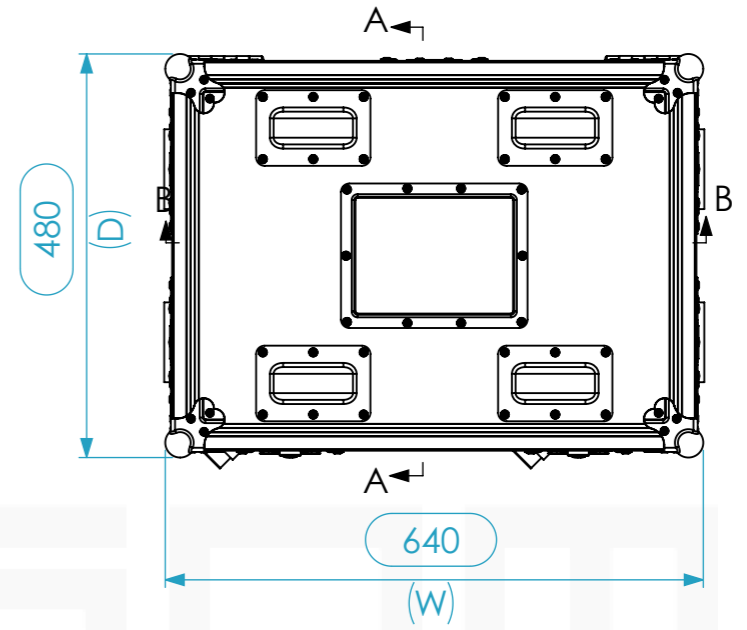
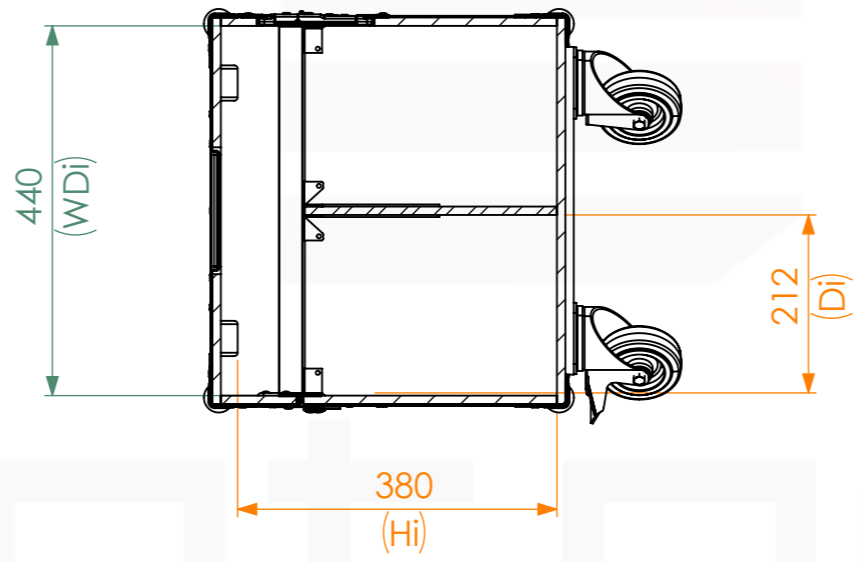
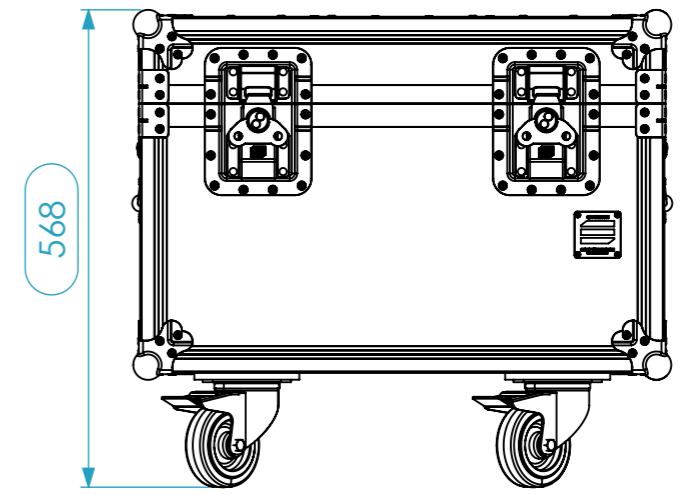
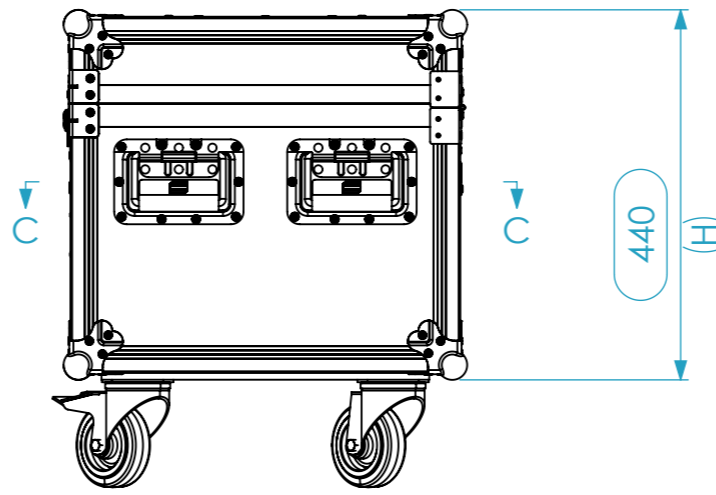


Internal Dimensions

Width	Depth	Height
596	436	400
Weight	Approx. 24 Kg	
Wall Thickness		10mm

General External Dimensions	
W	Width
D	Depth
H	Height
Usable Inner Dimensions (UID)	
Wi	Inside Width
Di	Inside Depth
Hi	Inside Height
Wood Inner Dimensions (WID)	
WWi	Wood Inside Width
WDi	Wood Inside Depth
WHi	Wood Inside Height



SECTION A-A

SECTION B-B

C-C
space for accessories

Drawn by	Name	Date
CarlaSilva	CarlaSilva	27/02/2018
Reference	X1 AAR.0644844.05D	
Scale	units in mm	general tolerance
1:9	DO NOT SCALE	0.8mm
1st Angle projection	FC X1AA. 596X436X400	



This drawing must not be copied or disclosed without consent of the owner

A3