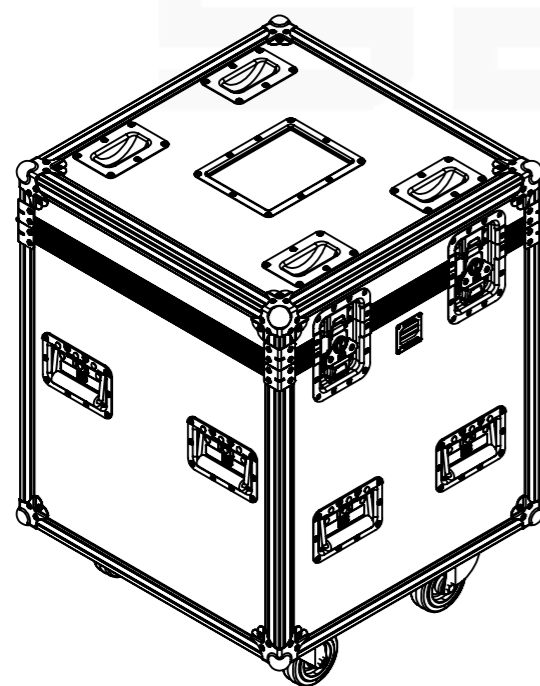
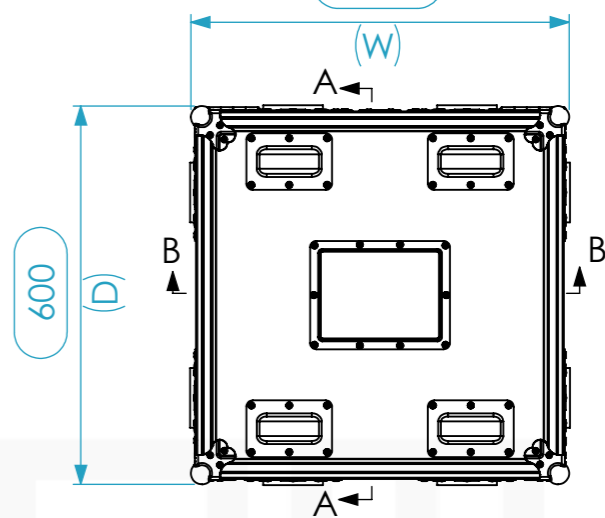
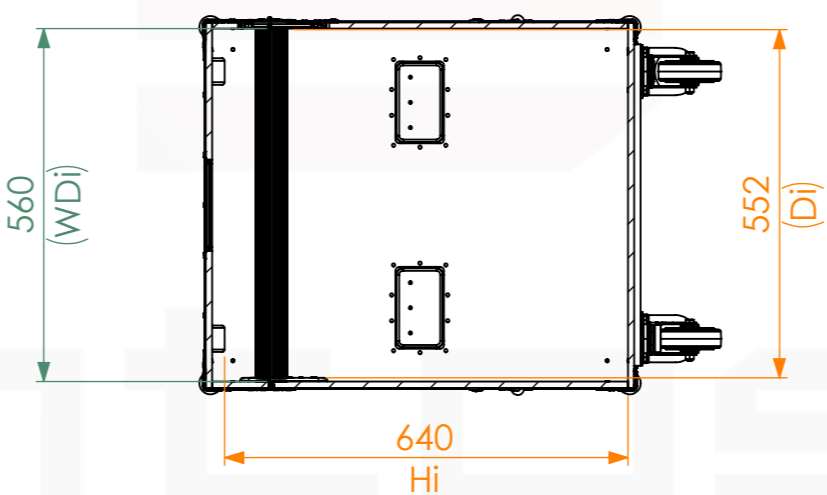
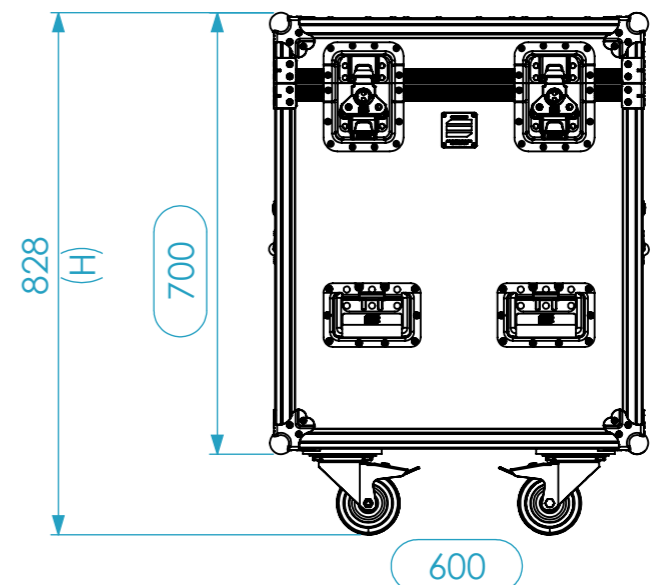
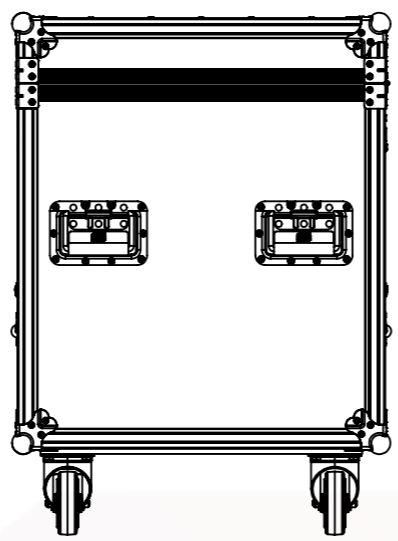
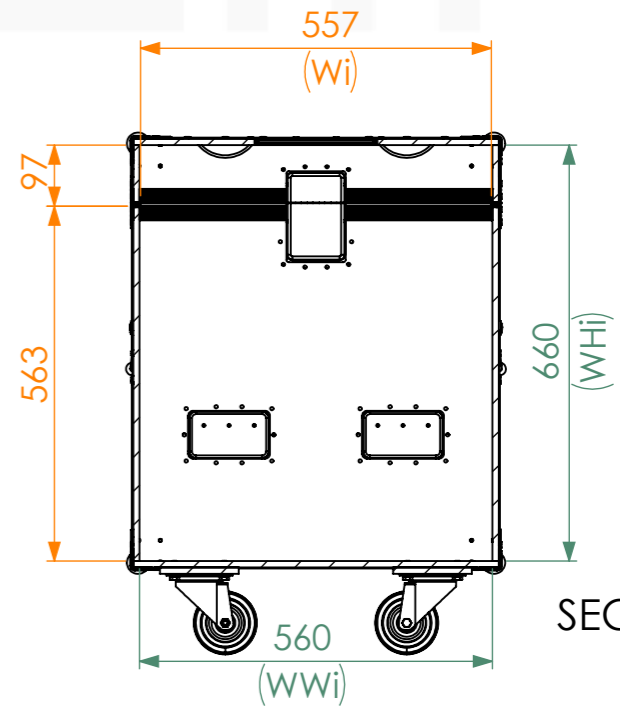


Internal Dimensions		
Width	Depth	Height
556	556	640
Weight	Approx. 27 Kg	
Wall Thickness	10mm	



SECTION A-A



SECTION B-B

General External Dimensions		Usable Inner Dimensions (UID)		Wood Inner Dimensions (WID)	
W	Width	Wi	Inside Width	WWi	Wood Inside Width
D	Depth	Di	Inside Depth	WDi	Wood Inside Depth
H	Height	Hi	Inside Height	WHi	Wood Inside Height

A3 This drawing must not be copied or disclosed without consent of the owner

Drawn by	Name	Date
CarlaSilva	CarlaSilva	28/03/2023
Reference	X1AAR.0606070	
Scale	units in mm	general tolerance
1:12	DO NOT SCALE	0.8mm
1st Angle projection	FC. X1AA. 556X556X660	

