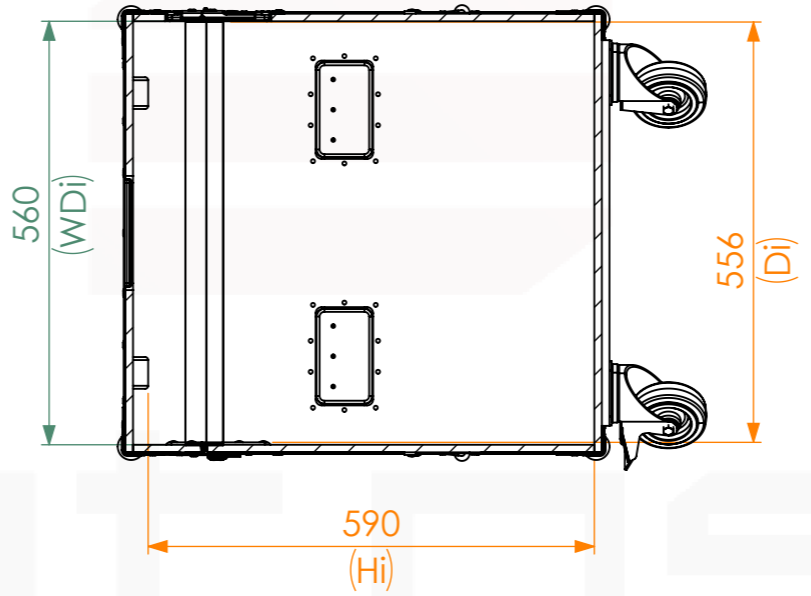
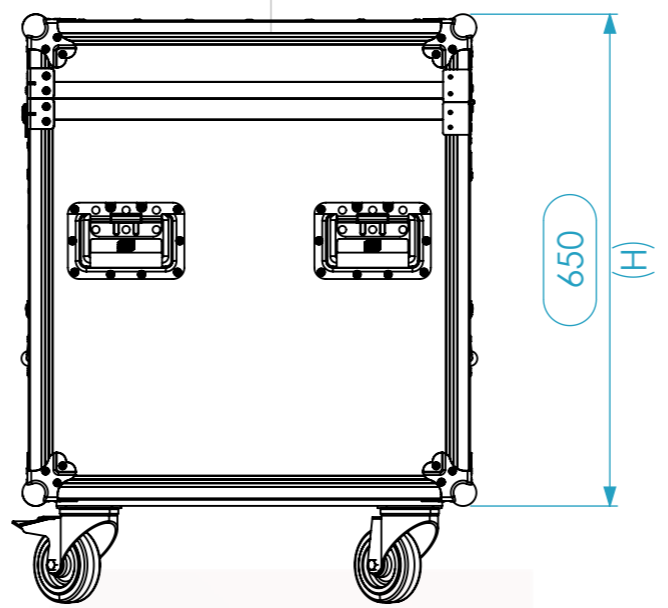
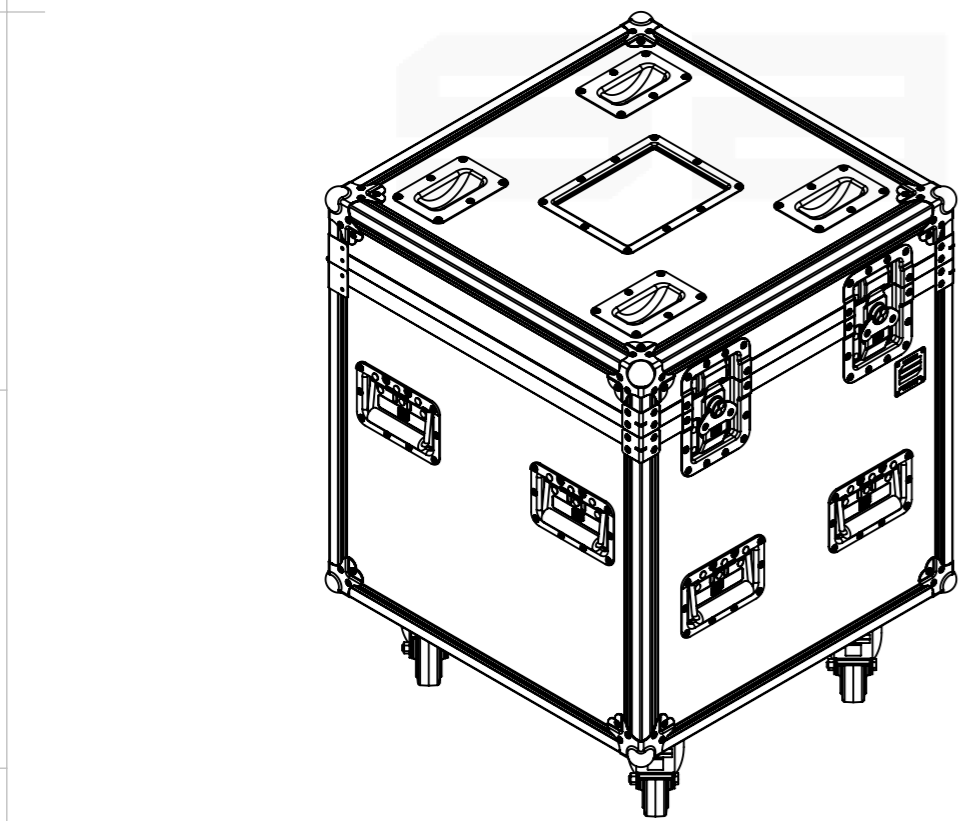
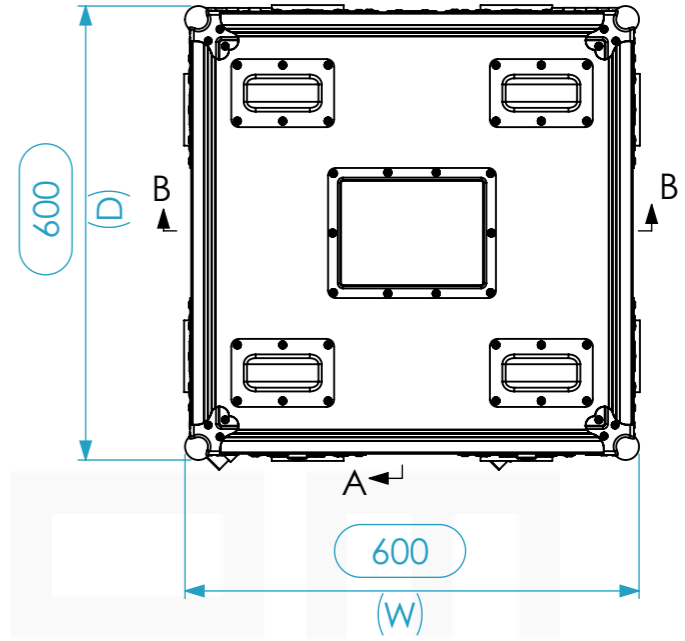
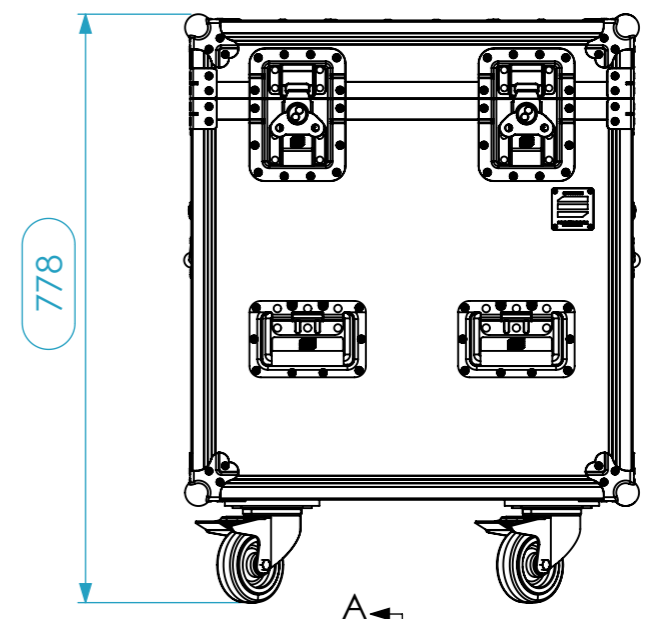


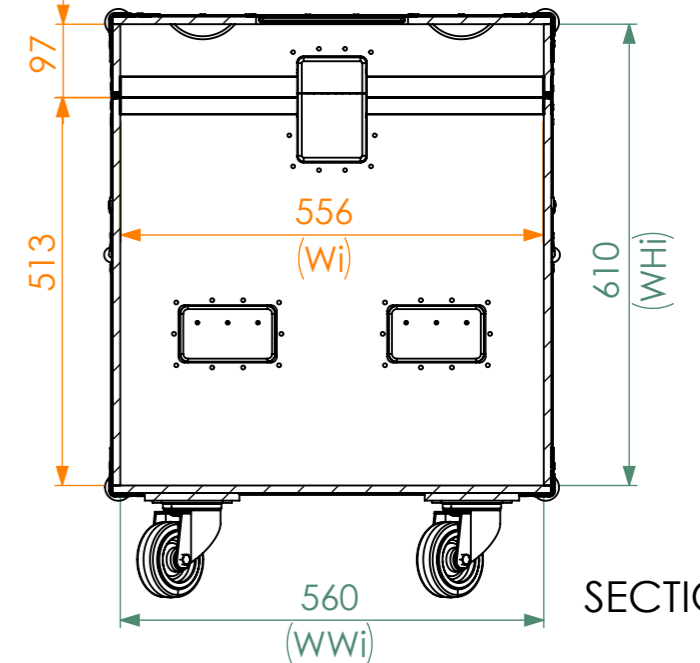
Internal Dimensions		
Width	Depth	Height
556	556	590
Weight	Approx. 27 Kg	
Wall Thickness	10mm	



SECTION A-A



SECTION B-B



General External Dimensions		Usable Inner Dimensions (UID)		Wood Inner Dimensions (WID)	
W	Width	Wi	Inside Width	WWi	Wood Inside Width
D	Depth	Di	Inside Depth	WDi	Wood Inside Depth
H	Height	Hi	Inside Height	WHi	Wood Inside Height

This drawing must not be copied or disclosed without consent of the owner

Name	Date
Drawn by	Catarina Henriques 21/05/2018
Reference	X1AAR.0606065
Scale	1:10
units in mm	general tolerance 0.8mm
DO NOT SCALE	FC. X1AA. 556X556X610

