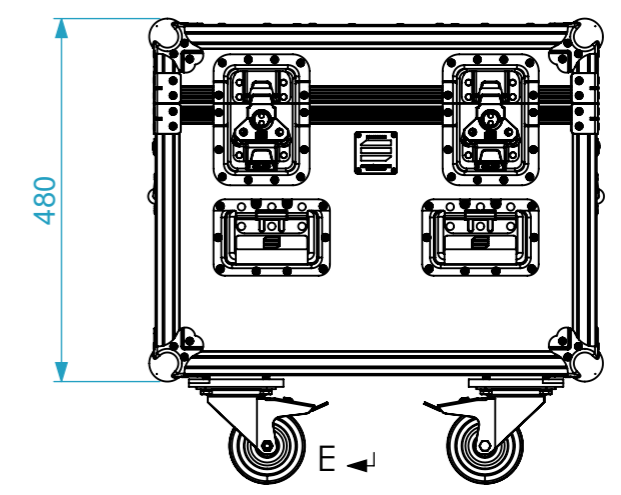
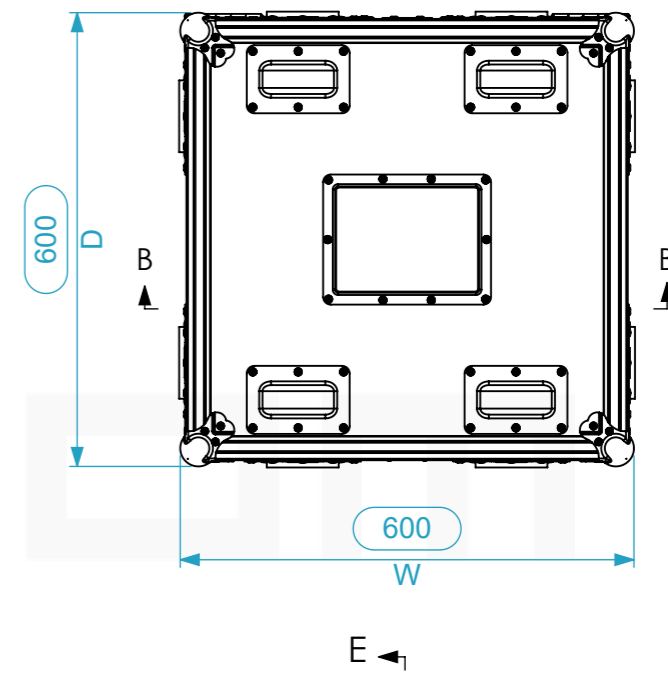
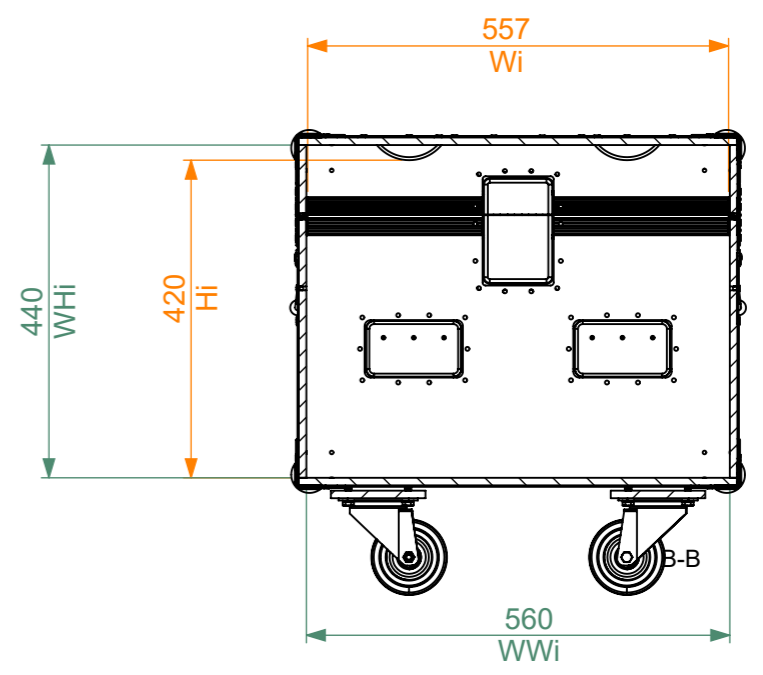
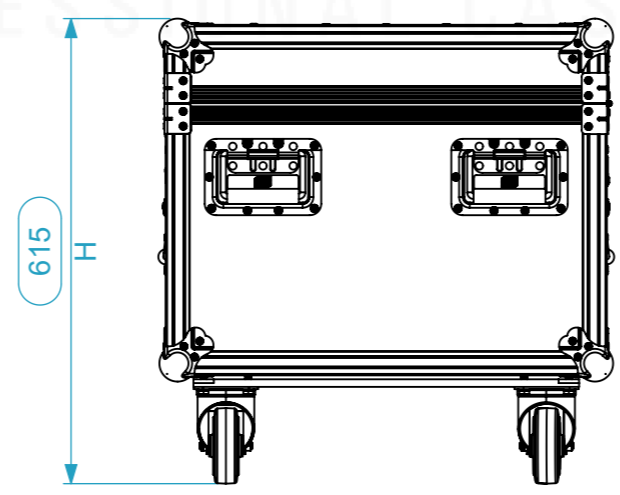
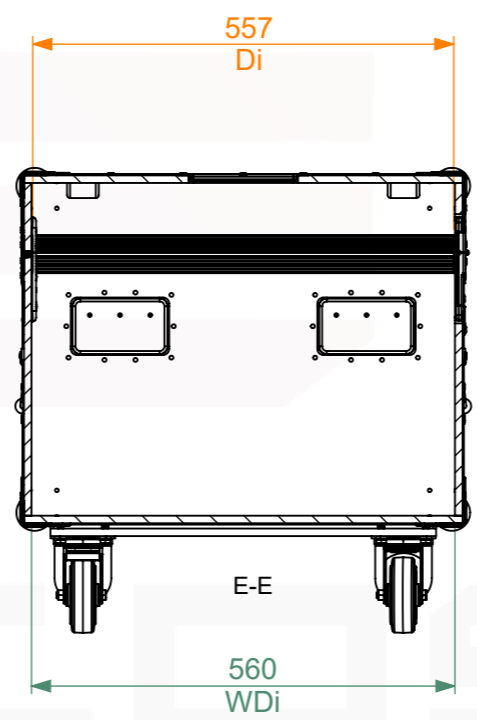
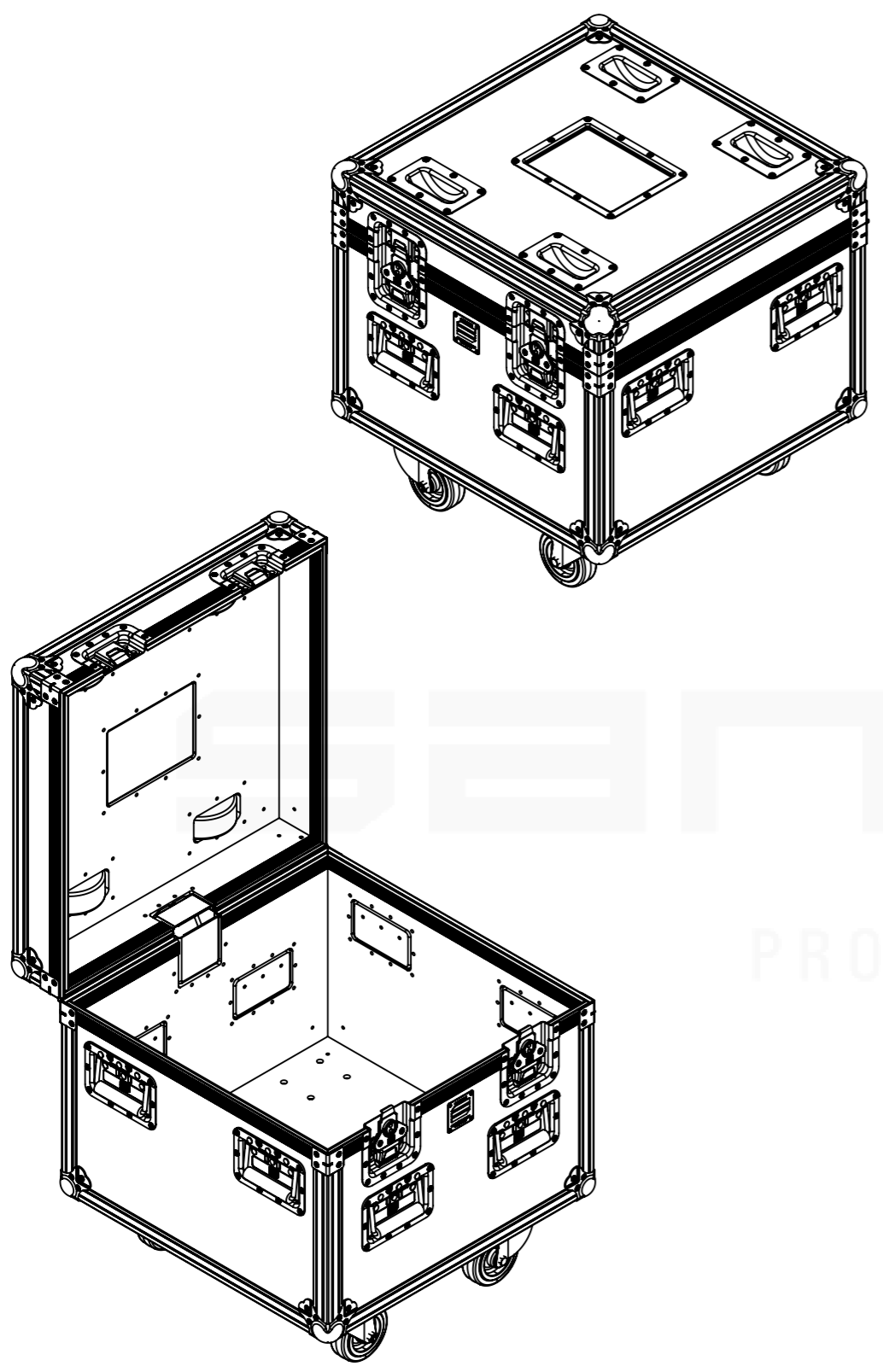


Internal Dimensions		
Width	Depth	Height
556	556	436
Weight	Approx. 25 Kg	
Wall Thickness	10mm	



General External Dimensions		Usable Inner Dimensions		Wood Inner Dimensions	
W	Width	Wi	Inside Width	WWi	Wood Inside Width
D	Depth	Di	Inside Depth	WDi	Wood Inside Depth
H	Height	Hi	Inside Height	WHi	Wood Inside Height

This drawing must not be copied or disclosed without consent of the owner

Drawn by	alexandre	Date	22/01/2021
Reference	X2AAR.0606048		
Scale	1:10	units in mm	general tolerance 0.8mm
1st Angle projection	Mal'bo PRO, X1 60.60.48 (556x556x440)		

