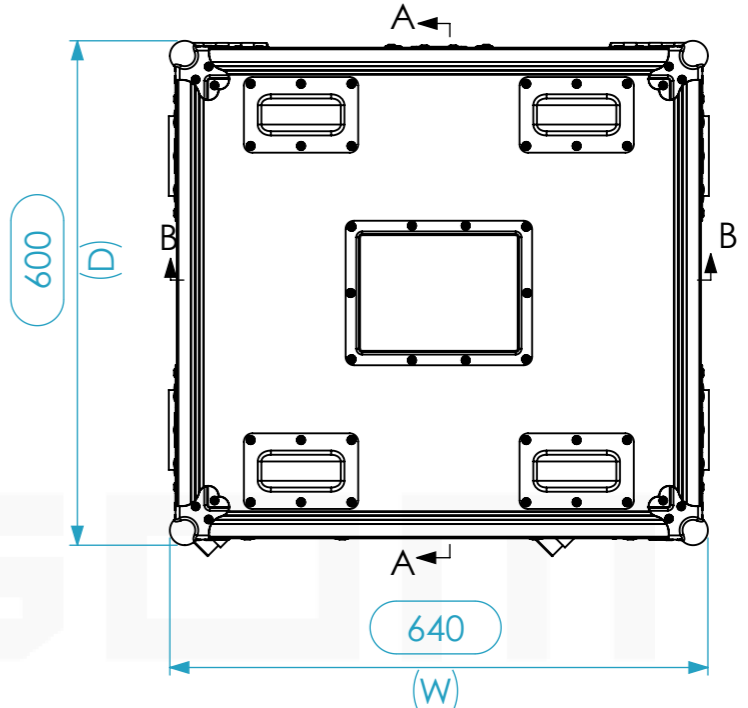
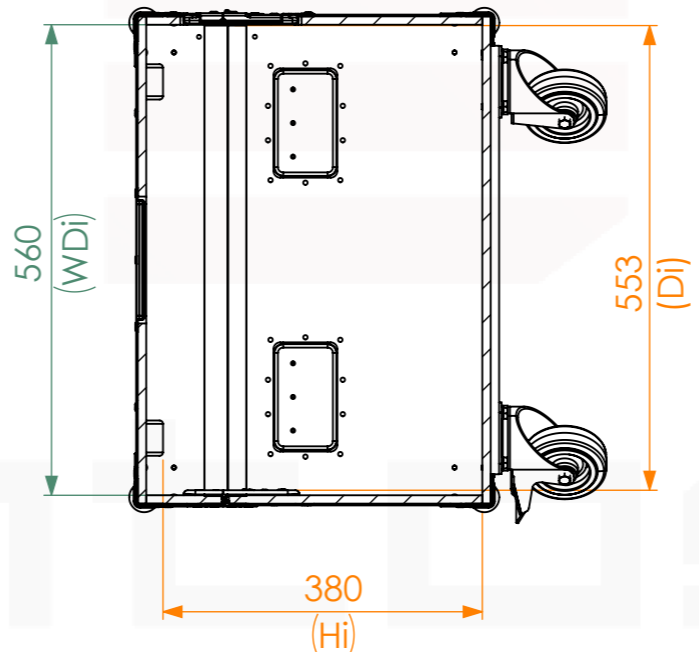
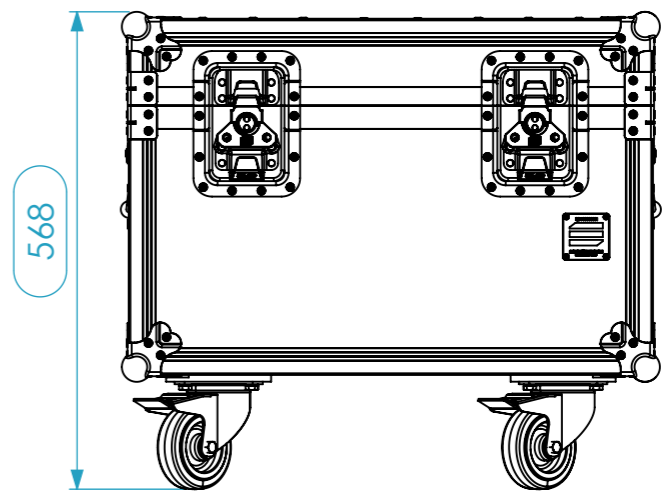
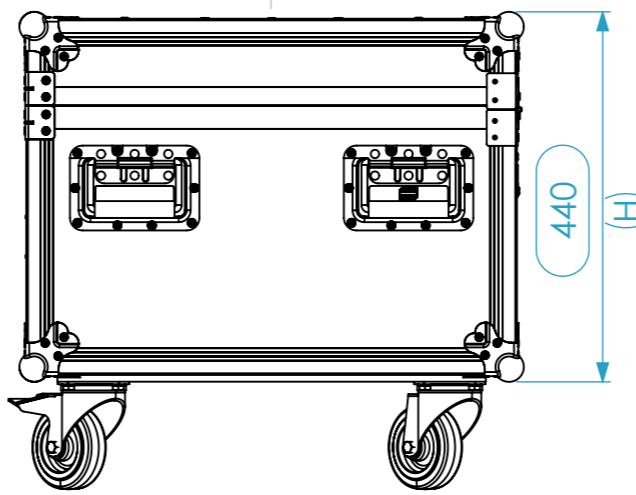


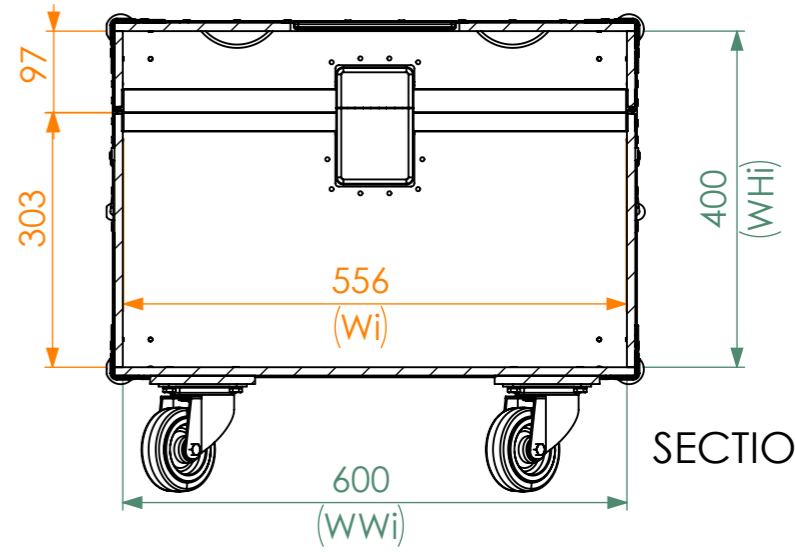
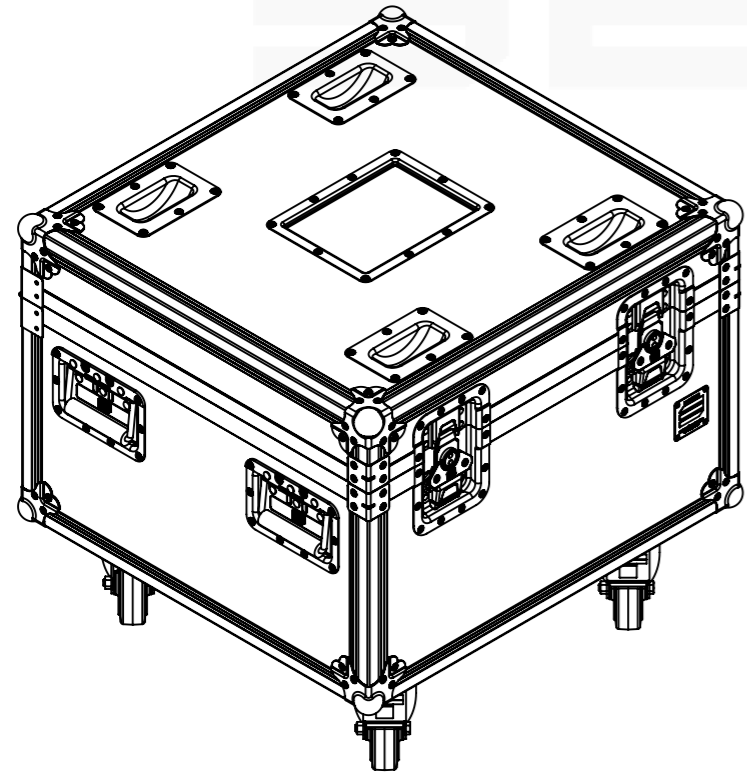
Internal Dimensions

Width	Depth	Height
596	556	380
Weight	Approx. 23 Kg	
Wall Thickness		10mm

General External Dimensions	
W	Width
D	Depth
H	Height
Usable Inner Dimensions (UID)	
Wi	Inside Width
Di	Inside Depth
Hi	Inside Height
Wood Inner Dimensions (WID)	
WWi	Wood Inside Width
WDi	Wood Inside Depth
WHi	Wood Inside Height



SECTION A-A



SECTION B-B

Name	CarlaSilva	Date	19/04/2019
Reference	X1AAR.0606044		
Scale	1:9	units in mm	DO NOT SCALE
general tolerance	0.8mm		
FC X1AA. 556X556X400			



This drawing must not be copied or disclosed without consent of the owner



A3