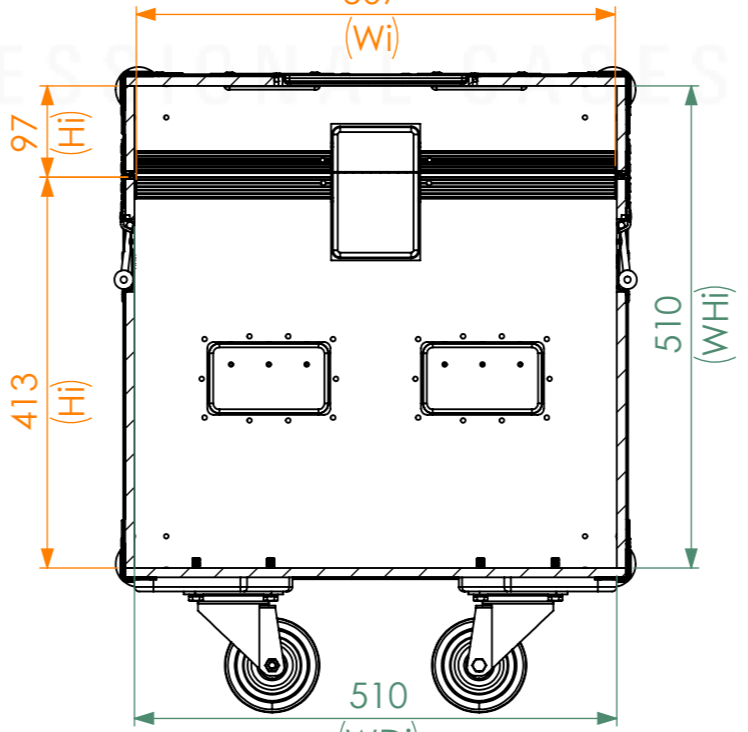
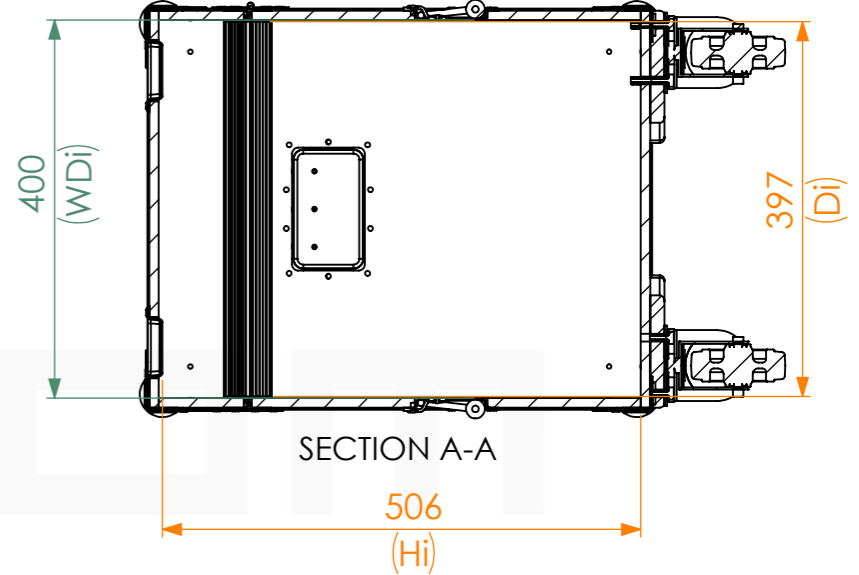
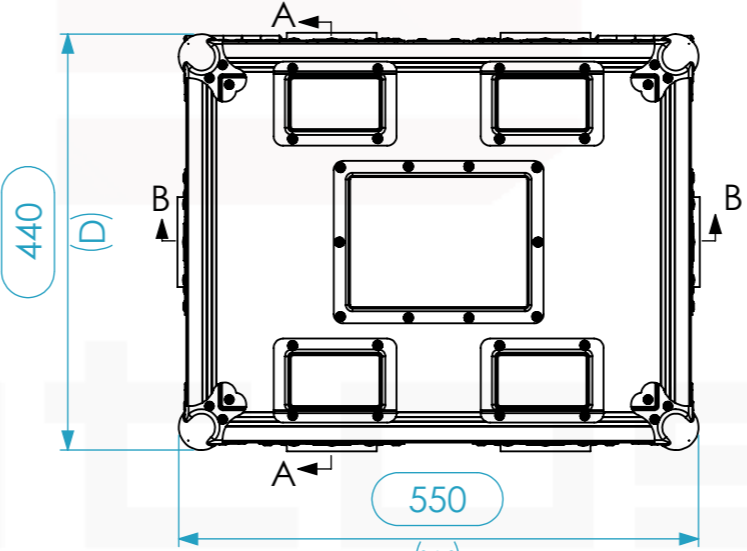
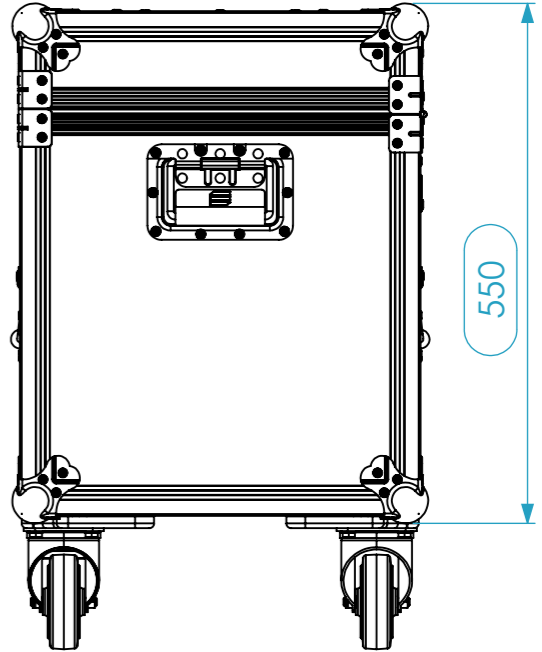
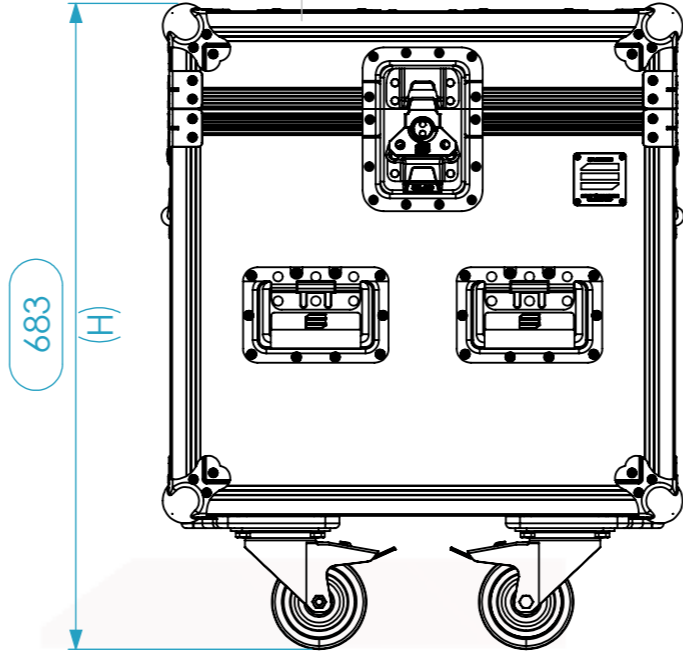
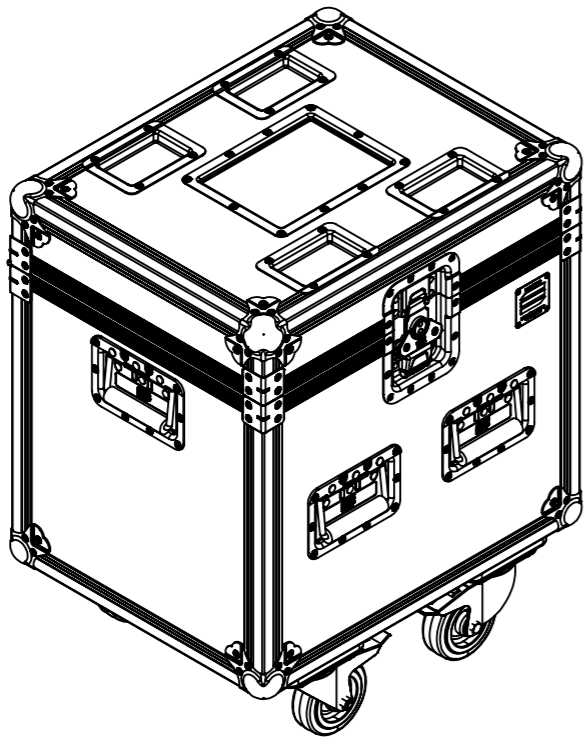
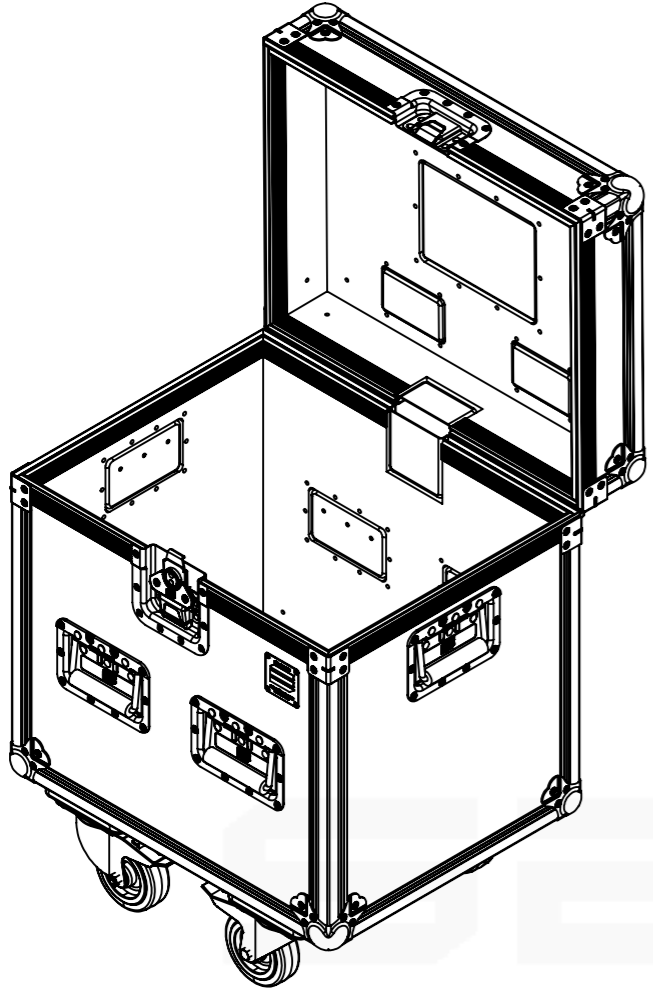


Internal Dimensions		
Width	Depth	Height
506	396	506
Weight	Approx. 19 Kg	
Wall Thickness	10mm	



General External Dimensions		Usable Inner Dimensions (UID)		Wood Inner Dimensions (WID)	
W	Width	Wi	Inside Width	WWi	Wood Inside Width
D	Depth	Di	Inside Depth	WDi	Wood Inside Depth
H	Height	Hi	Inside Height	WHi	Wood Inside Height

This drawing must not be copied or disclosed without consent of the owner

Name	Date
Drawn by paula.almeida	07/11/2024
Reference	X1AAR.0554455
Scale	1:8
units in mm	general tolerance 0.8mm
MALÃO PRO, 506X396X506	



A3