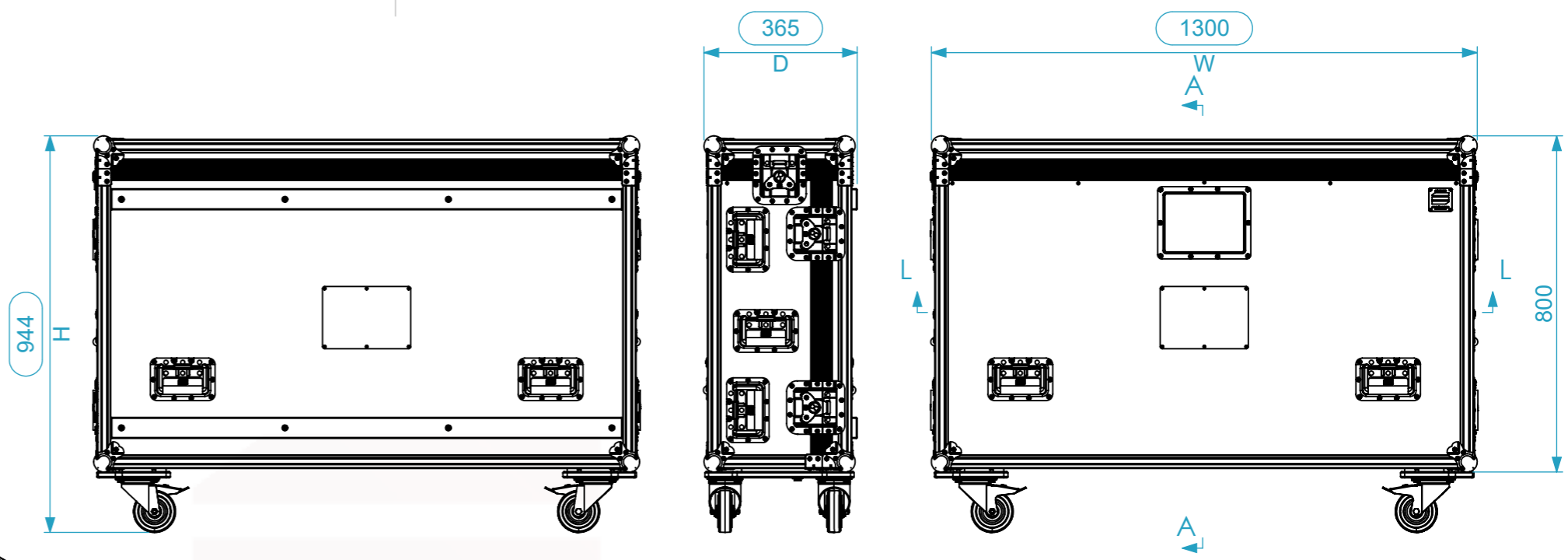
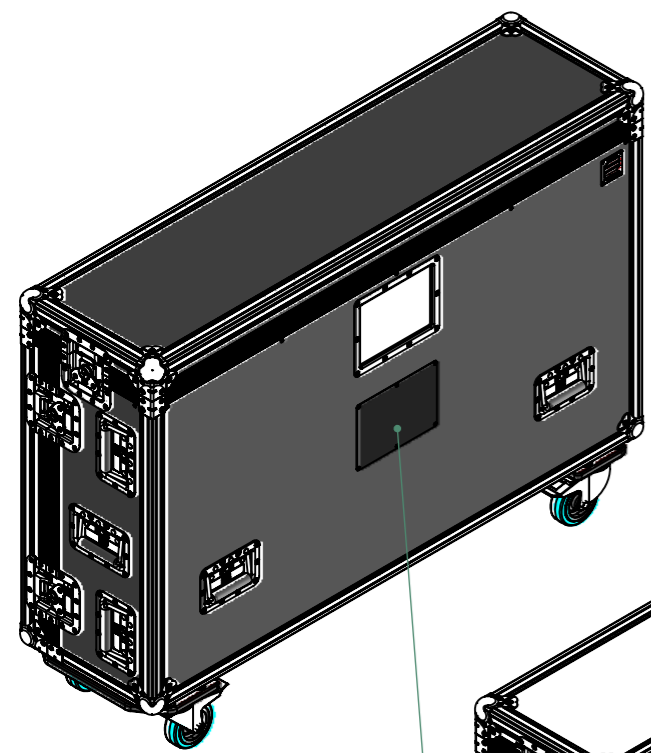
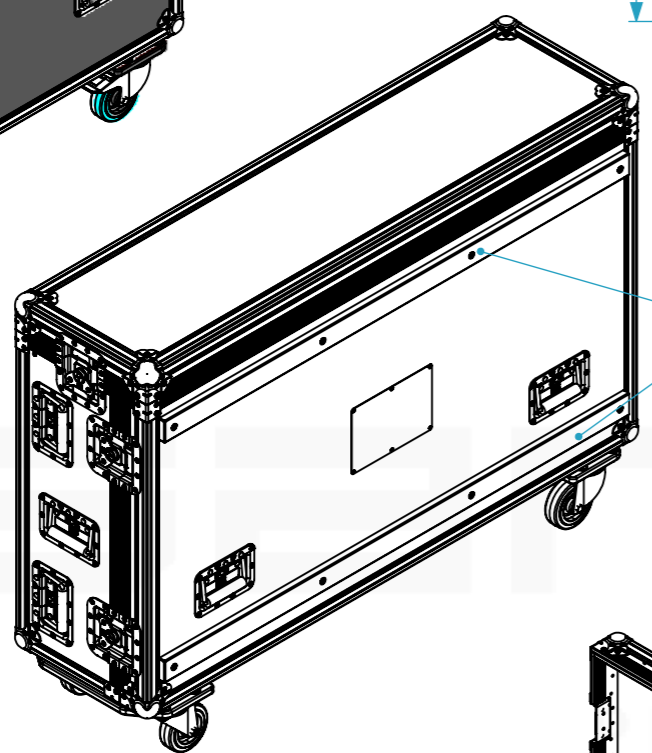


Standard External Dimensions

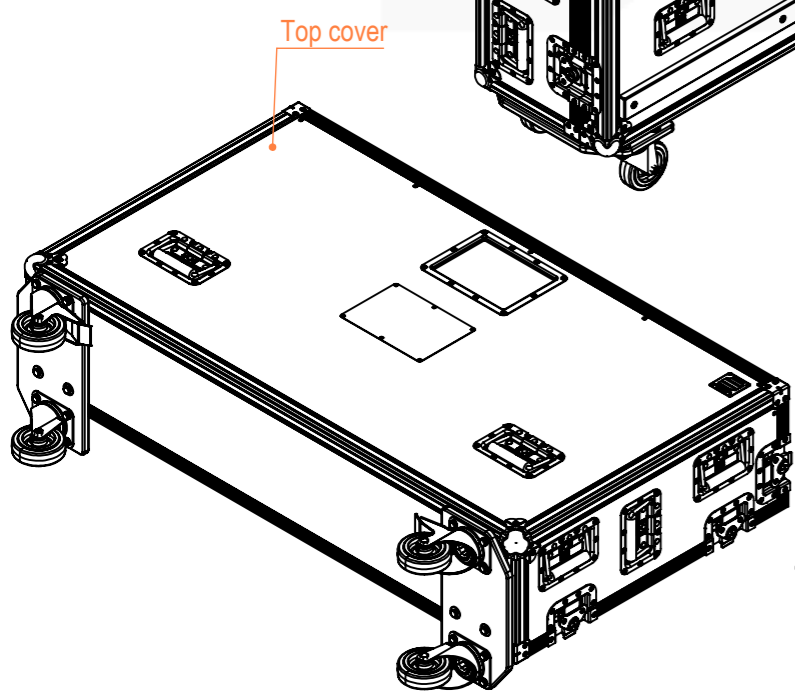
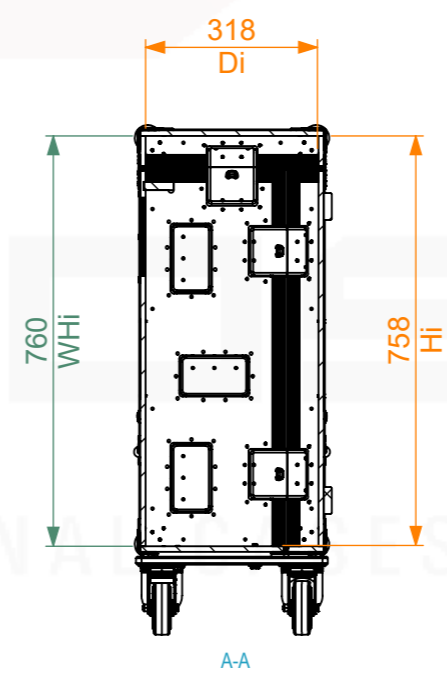
Width	Depth	Height
1300	800	360
Weight	Approx. 44 Kg	
Wall Thickness		10mm



Optional printing plate

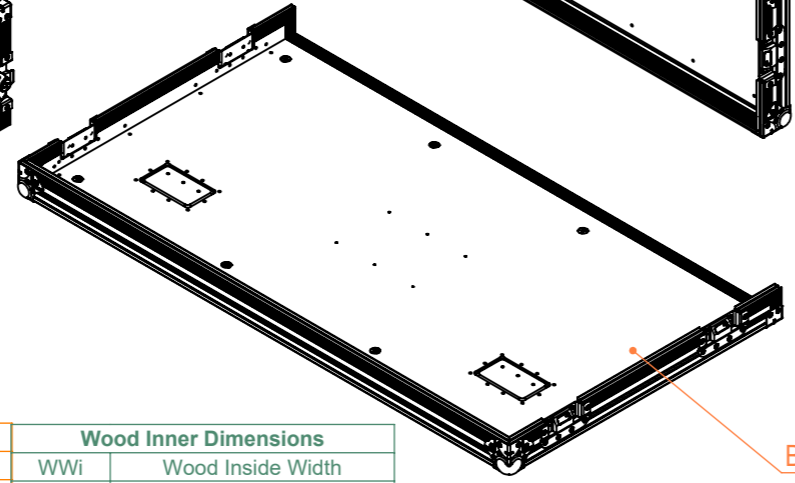
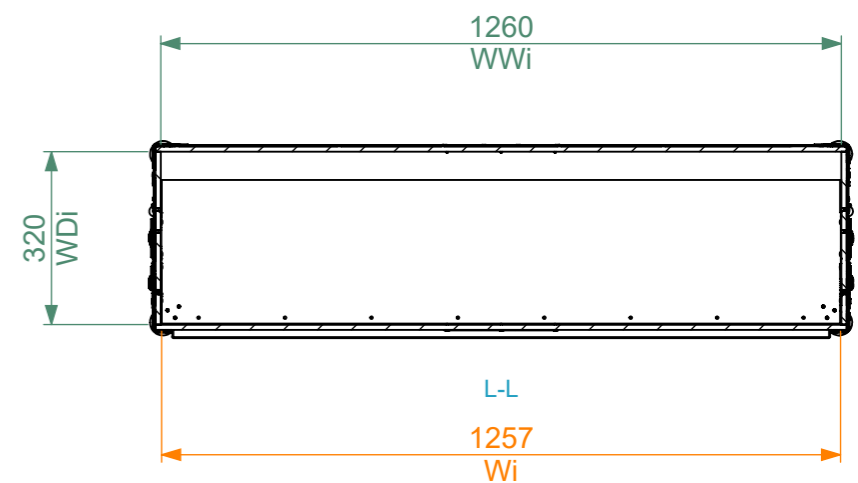


Plastic Feet



Top cover

Front cover



Base

General External Dimensions		Usable Inner Dimensions		Wood Inner Dimensions	
W	Width	Wi	Inside Width	WWi	Wood Inside Width
D	Depth	Di	Inside Depth	WDi	Wood Inside Depth
H	Height	Hi	Inside Height	WHi	Wood Inside Height

This drawing must not be copied or disclosed without consent of the owner

Name	Date
Drawn by paula.almeida	18/06/2025
Reference	X13MR.1303680A
Scale	1:14
units in mm	general tolerance 0.8mm
DO NOT SCALE	
Flight case X13MR. para móvil IC5 130.36.80 (126x32x76 WID)	



A3

